



Area of Application:

Reservoir installation for direct suction line connection

Characteristics:

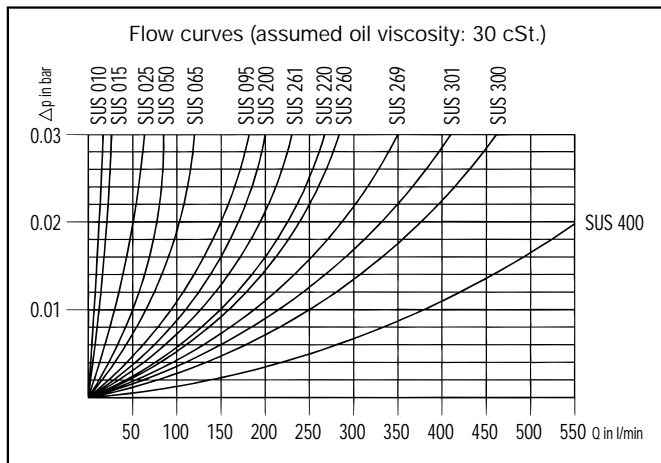
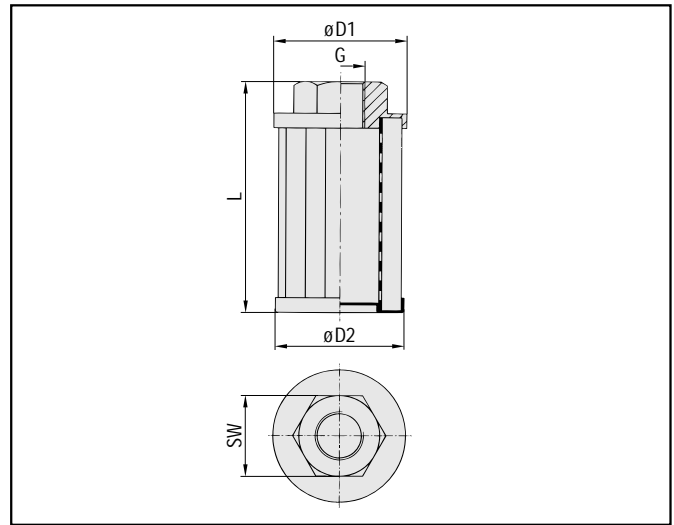
- suitable for mineral oil
- thread form: BSP
- threaded end caps made out of glass fibre reinforced polyamide or aluminium (see Technical Data)

STAUFF suction strainers SUS are available with NPT threads and/or with an integrated bypass on request.

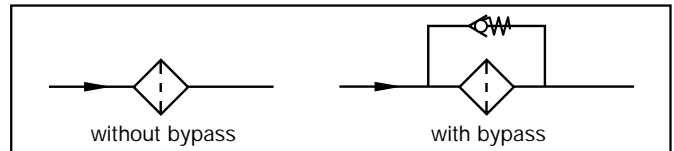
Technical Data

Temperature range:	-20°C ... +100°C
Flow range:	400 l/min max
Connection thread sizes:	G ^{3/8} - G3
Filtermedia:	Stainless steel wire mesh
Support tube material:	Steel, zinc plated
Threaded end cap material:	glass fibre reinforced polyamide; SUS 220-B32-A ... : Aluminium
Bypass opening pressure:	0,20 bar (bypass option on request)

Dimensions



Symbols



Ordering Code and Dimensional Table

SUS - 025 - B12 - P - O - 125

Type	
SUS	Suction Strainer

Micron Rating	
060	60 µm (on request)
125	125 µm (standard)
250	250 µm (on request)

Size	Threaded end cap material	Q max	G	L	D1	D2	SW
010-B06-P	Plastic	10 l/min	G ^{3/8}	67	50	49	26
015-B08-P	Plastic	15 l/min	G ^{1/2}	102	50	49	26
025-B12-P	Plastic	25 l/min	G ^{3/4}	105	68	66	34
050-B16-P	Plastic	50 l/min	G1	140	68	66	42
065-B20-P	Plastic	65 l/min	G1 ^{1/4}	140	88	85	50
095-B24-P	Plastic	95 l/min	G1 ^{1/2}	140	88	85	60
200-B24-P	Plastic	200 l/min	G1 ^{1/2}	200	102	100	72
220-B32-A	Aluminium	220 l/min	G2	151	150	145	70
260-B32-P	Plastic	260 l/min	G2	260	102	100	72
261-B32-P	Plastic	210 l/min	G2	210	102	100	72
269-B32-P	Plastic	300 l/min	G2	300	102	100	72
300-B40-P	Plastic	300 l/min	G2 ^{1/2}	212	131	128	86
301-B40-P	Plastic	290 l/min	G2 ^{1/2}	210	131	128	86
400-B48-P	Plastic	400 l/min	G3	272	131	128	96

Bypass Option	
O	no bypass (standard)
3	integrated bypass (0,2 bar / 3 PSI)

Walter Stauffenberg GmbH & Co. KG

P.O.Box 1745 · D-58777 Werdohl
Im Ehrenfeld 4 · D-58791 Werdohl
Tel. : + 49 (0) 2392 916-0
Fax: + 49 (0) 2392 2505
e-mail: sales@stauff.com
Internet: http://www.stauff.com

Oil Solutions

PO Box 653 Castlemaine 3450
Phone 0421 336 009
Fax 03 9012 4332
sales@oilsolutions.com.au
www.oilsolutions.com.au

Australia:

Stauff Corporation (Pty.) Ltd.
P.O. Box 227
24-26 Doyle Avenue, Unanderra
Wollongong, N.S.W.
AUS-2526 Unanderra
Tel. : + 61 2 42 71 18 77
Fax: + 61 2 42 71 84 32

Brazil:

Stauff Brasil Ltda.
Avenida Gupe 10.767
Galpa" o 2, Bloco A
WT – Empresarial Parque Castello Branco
BRA-Barueri – SP
CEP: 06422-120
Tel: +55 1147899020
Fax: +55 1147899021

China:

Stauff International Trading (Shanghai) Co., Ltd.
Shangdian Mansion, Pudong
331, Binzhou Road
CHN-200126 Shanghai
Tel. : + 86 21 58 45 65 60
Fax: + 86 21 58 45 66 80

France:

Stauff s.a.
230, Avenue du Grain d'Or
Z.I. de Vineuil-Blois Sud
F-41354 Vineuil-cedex
Tel. : + 33 2 54 50 55 50
Fax: + 33 2 54 42 29 19

India:

Stauff India Pvt. Ltd.
Gat. No. 2340
Pune-Nagar Road, Wagholi
IND-Pune - 412207
Tel. : + 91 20 705 19 90
Fax: + 91 20 705 19 89

Italy:

Stauff Italia s.r.l.
Via Pola 21/23
I-20034 Birone di Giussano
Tel. : + 39 0362 31 21 13
Fax: + 39 0362 33 55 36

Japan:

Ohtsuka Tec. Co. Ltd.
1-7-19 Minami Shinagawa
Shinagawa-Ku
JPN-Tokyo 140
Tel. : + 81 3 34 72 12 01
Fax: + 81 3 34 72 12 09

Canada:

Stauff Canada Ltd.
866 Milner Avenue
CAN-Scarborough, Ontario M1B 5N7
Tel. : + 1 416 282 46 08
Fax: + 1 416 282 30 39

USA:

Stauff Corporation
7 Wm. Demarest Place
USA-Waldwick, N.J. - 07463
Tel. : + 1 201 444 78 00
Fax: + 1 201 444 78 52

United Kingdom:

Stauff UK
332, Coleford Road
Darnall
GBR-Sheffield, S 9 5 P H
Tel. : + 44 1142 518 518
Fax: + 44 1142 518 519

Stauff Hydraulic Accessories

- ◆ **Breathers**
- ◆ **Diffusers**
- ◆ **Flow Indicators**
- ◆ **Level Gauges**
- ◆ **Pressure Gauges**
- ◆ **Spin On Filters**
- ◆ **Suction Strainers**
- ◆ **Valves**

The STAUFF hydraulic accessories program has been carefully designed to offer a range of components suited to the demands of building hydraulic systems in most industrial and mobile applications.

Whether you require simple filler breathers or precise electrical level switches, flow control valves or complete filter units; the STAUFF accessories range should provide you with the choice you need.

At Stauff we are aware of the ongoing development and innovation within the hydraulic industry. We strive to keep up with and further develop the latest technology and to bring the benefit of any such improvements directly to the customer.

Additionally we are always prepared to consider custom built products, if you have a special need.

We ensure that your most urgent requirements are met by keeping a large and comprehensive stock in Australia

These products are subject at all times to our DIN ISO 9001 Quality Management Systems.