

# Hydraulic Accessories Fillers and Breathers



Quality and Service  
worldwide

**Walter Stauffenberg GmbH & Co. KG**

P.O.Box 1745 · D-58777 Werdohl  
Im Ehrenfeld 4 · D-58791 Werdohl  
Tel. : + 49 (0) 2392 916-0  
Fax: + 49 (0) 2392 2505  
e-mail: sales@stauff.com  
Internet: http://www.stauff.com

## Oil Solutions

PO Box 653 Castlemaine 3450  
Phone 0421 336 009  
Fax 03 9012 4332  
sales@oilsolutions.com.au  
www.oilsolutions.com.au

**Australia:**

Stauff Corporation (Pty.) Ltd.  
P.O. Box 227  
24-26 Doyle Avenue, Unanderra  
Wollongong, N.S.W.  
AUS-2526 Unanderra  
Tel. : + 61 2 42 71 18 77  
Fax: + 61 2 42 71 84 32

**Brazil:**

Stauff Brasil Ltda.  
Avenida Gupe 10.767  
Galpa" o 2, Bloco A  
WT – Empresarial Parque Castello Branco  
BRA-Barueri – SP  
CEP: 06422-120  
Tel: +55 1147899020  
Fax: +55 1147899021

**China:**

Stauff International Trading (Shanghai) Co., Ltd.  
Shangdian Mansion, Pudong  
331, Binzhou Road  
CHN-200126 Shanghai  
Tel. : + 86 21 58 45 65 60  
Fax: + 86 21 58 45 66 80

**France:**

Stauff s.a.  
230, Avenue du Grain d'Or  
Z.I. de Vineuil-Blois Sud  
F-41354 Vineuil-cedex  
Tel. : + 33 2 54 50 55 50  
Fax: + 33 2 54 42 29 19

**India:**

Stauff India Pvt. Ltd.  
Gat. No. 2340  
Pune-Nagar Road, Wagholi  
IND-Pune - 412207  
Tel. : + 91 20 705 19 90  
Fax: + 91 20 705 19 89

**Italy:**

Stauff Italia s.r.l.  
Via Pola 21/23  
I-20034 Birone di Giussano  
Tel. : + 39 0362 31 21 13  
Fax: + 39 0362 33 55 36

**Japan:**

Ohtsuka Tec. Co. Ltd.  
1-7-19 Minami Shinagawa  
Shinagawa-Ku  
JPN-Tokyo 140  
Tel. : + 81 3 34 72 12 01  
Fax: + 81 3 34 72 12 09

**Canada:**

Stauff Canada Ltd.  
866 Milner Avenue  
CAN-Scarborough, Ontario M1B 5N7  
Tel. : + 1 416 282 46 08  
Fax: + 1 416 282 30 39

**USA:**

Stauff Corporation  
7 Wm. Demarest Place  
USA-Waldwick, N.J. - 07463  
Tel. : + 1 201 444 78 00  
Fax: + 1 201 444 78 52

**United Kingdom:**

Stauff UK  
332, Coleford Road  
Darnall  
GBR-Sheffield, S 9 5 P H  
Tel. : + 44 1142 518 518  
Fax: + 44 1142 518 519

## Stauff Hydraulic Accessories

- ◆ **Breathers**
- ◆ **Diffusers**
- ◆ **Flow Indicators**
- ◆ **Level Gauges**
- ◆ **Pressure Gauges**
- ◆ **Spin On Filters**
- ◆ **Suction Strainers**
- ◆ **Valves**

The STAUFF hydraulic accessories program has been carefully designed to offer a range of components suited to the demands of building hydraulic systems in most industrial and mobile applications.

Whether you require simple filler breathers or precise electrical level switches, flow control valves or complete filter units; the STAUFF accessories range should provide you with the choice you need.

At Stauff we are aware of the ongoing development and innovation within the hydraulic industry. We strive to keep up with and further develop the latest technology and to bring the benefit of any such improvements directly to the customer.

Additionally we are always prepared to consider custom built products, if you have a special need.

We ensure that your most urgent requirements are met by keeping a large and comprehensive stock in Australia

These products are subject at all times to our DIN ISO 9001 Quality Management Systems.



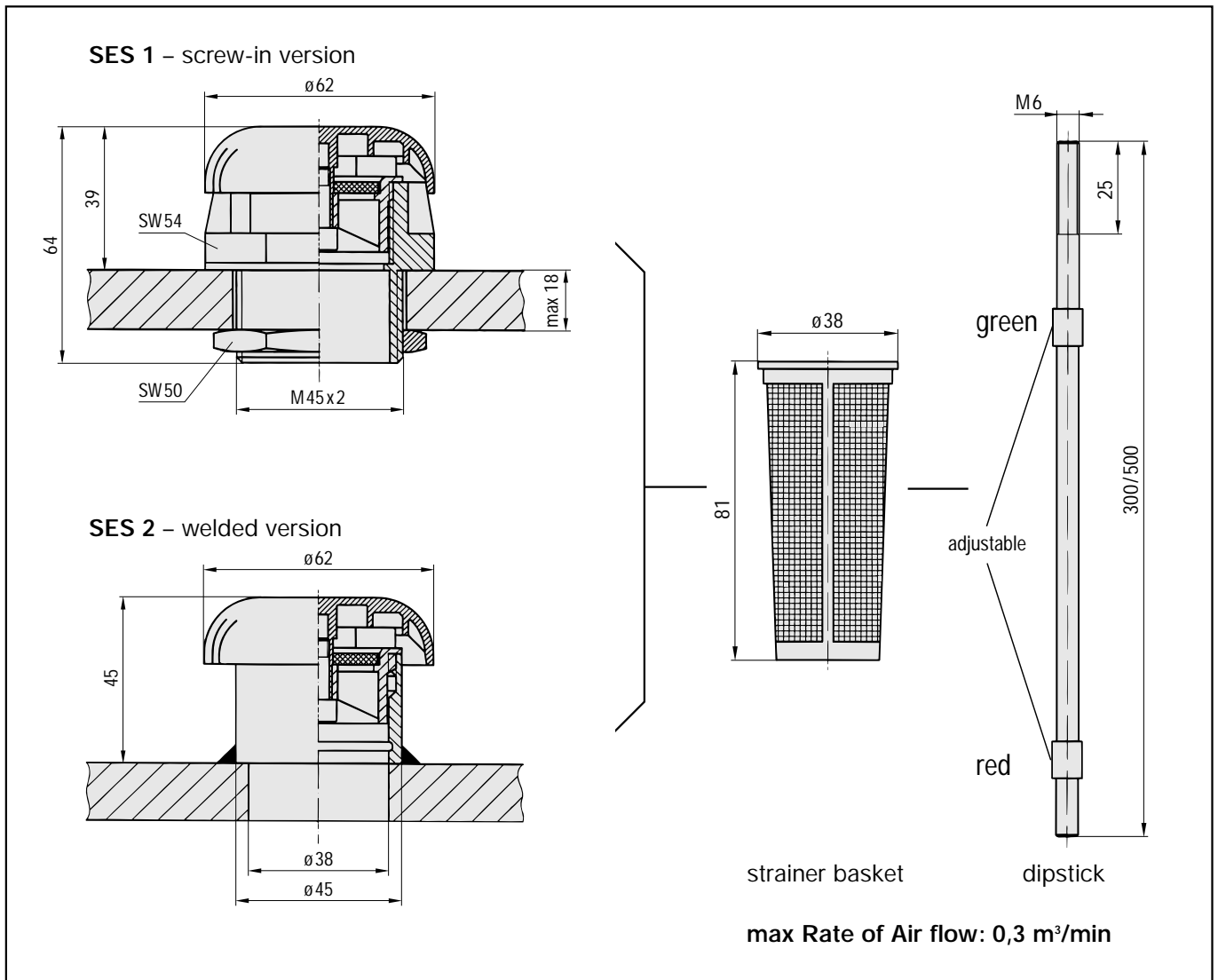
**Area of Application:**  
Ventilation and tank filling

**Materials:**

- Breather cap: PA
- Plastic stud: PA
- Socket: Steel (1.0718)
- Nut: Steel (1.0718); PA available on request
- Air filter insert: Sintered bronze; Rating 45 µm
- Basket: PA; micron rating 300 µm
- Dipstick: Steel (9SMnPb28)

**Combinations with basket or dipstick.**

**Dimensions**



**Ordering Code**

<b>SES 1 - M300</b>	
<b>Type</b>	<b>Accessories</b>
SES   Filler Breather	(none)   no accessory
<b>Execution</b>	S   Basket, 81 mm
1   screw-in version	M300   Dipstick, 300 mm
2   welded version	M500   Dipstick, 500 mm



**Area of Application:**

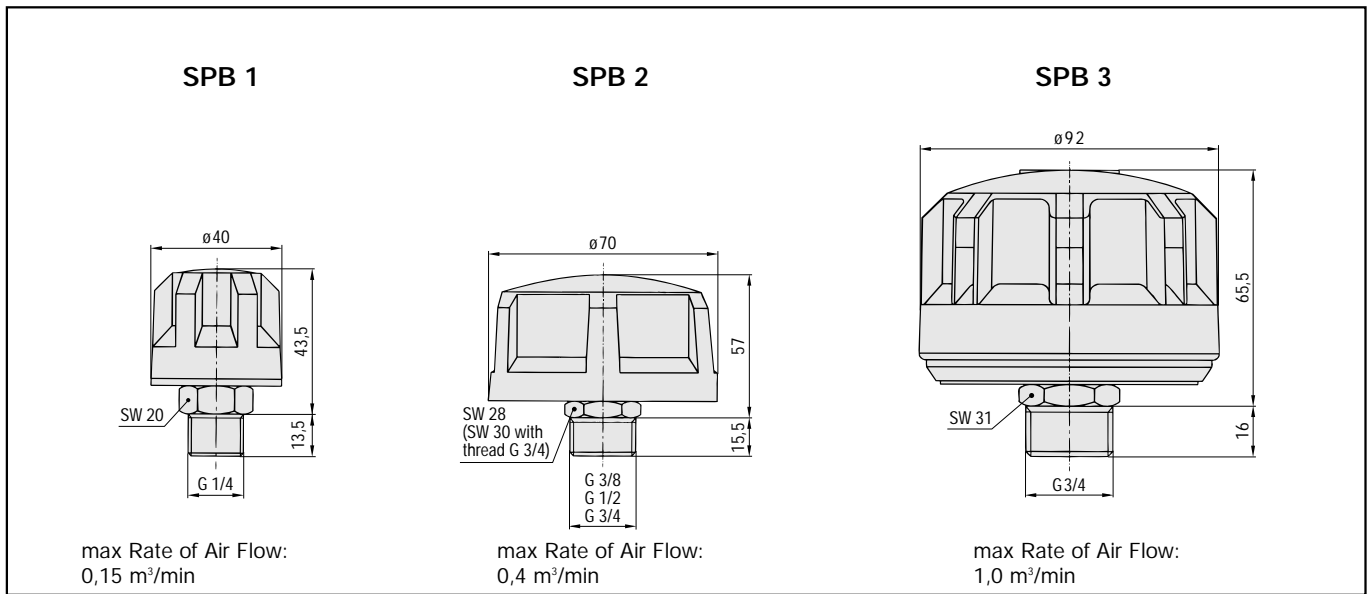
Ventilation and tank filling

**Characteristics / Materials:**

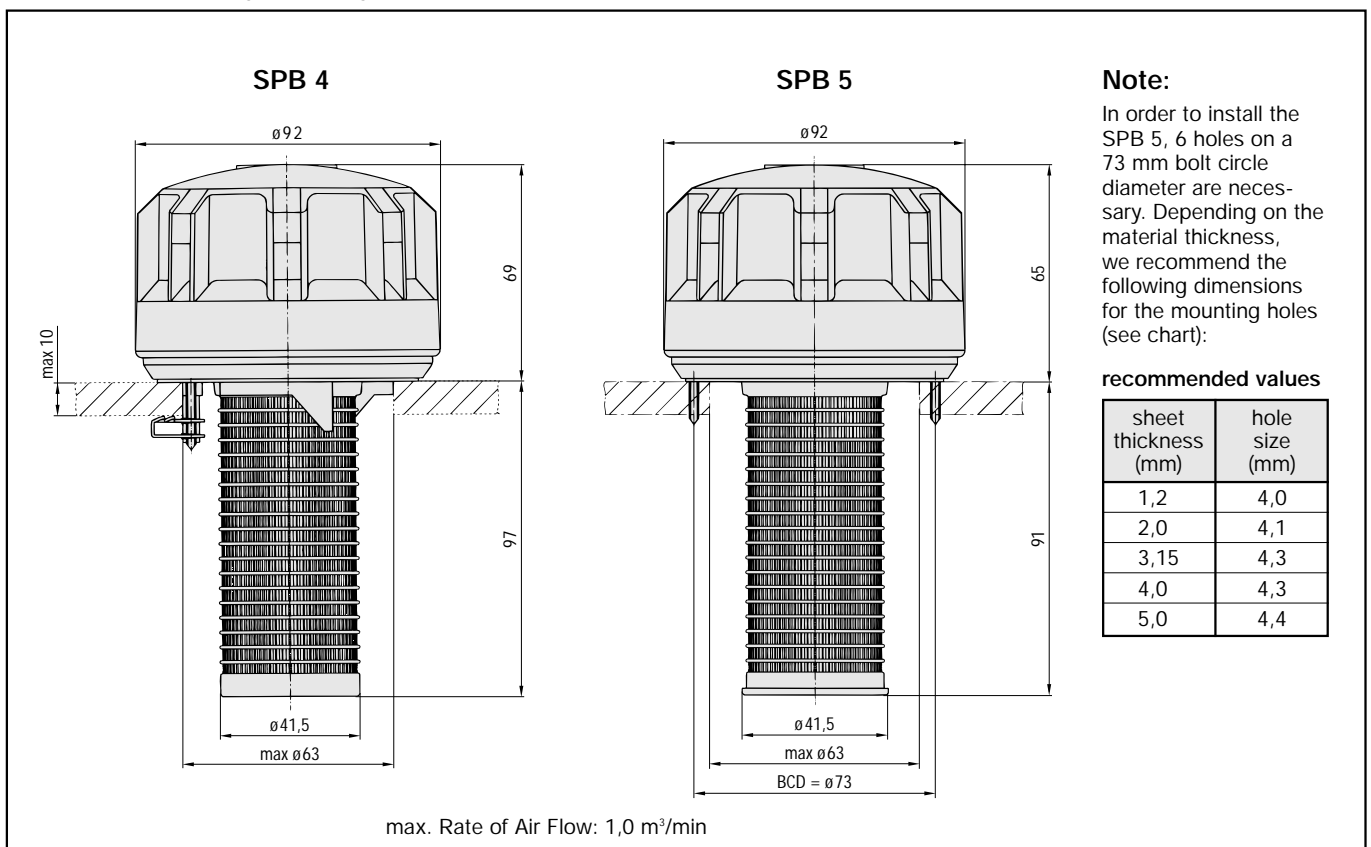
- available as screw-in or bayonet version
- non-corrosive
- Temperature range: - 40°C ... + 120°C
- Materials: glass fiber reinforced PA and PP
- Seals: NBR; Flange seal SPB 5: Cork
- Air filter insert: 10 µm foam (PUR)

Custom built combinations and special requirements available on request.

**Dimensions and Styles – Screw-in versions (Breathers)**



**Dimensions and Styles – Bayonet version (Filler breathers)**



### Combinations / Special Requirements:

By combining STAUFF plastic filler breathers with additional components, they can easily be designed for your individual requirements.

The options available open up immense possibilities to create a custom built filler breather that is suitable for your special application.

Please give us your enquiry, and you will receive your personal quotation.

### Options available on request:

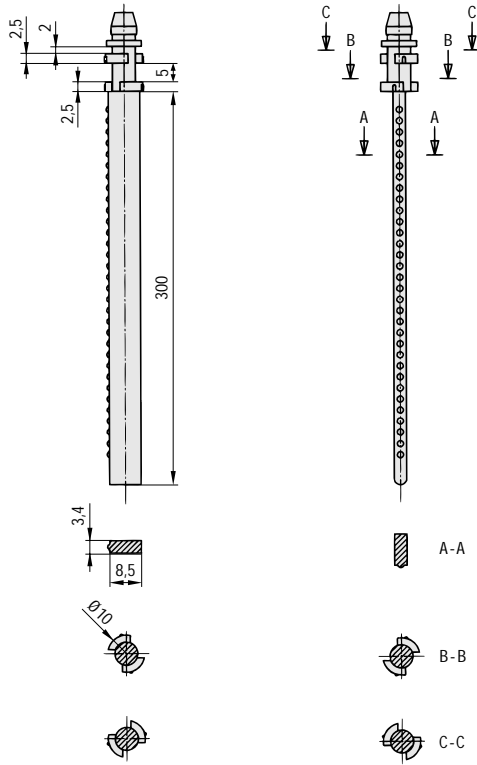
- Pressurised version for SPB 2
- Air filter rating 40 µm
- Dipsticks for Screw-in versions (Material: PA)
- Thread form NPT for SPB 1 – 3

### Dipstick option

#### Description and Dimensional Table

SPB style	SPB 2	SPB 3
SPB cap size	70	92
Thread size	G 1/2 G 3/4	G 3/4
Dipstick Part No.	DS 1- 300	

The dipstick option is available for the given thread sizes only!



### Ordering Code

**SPB - S - 2 - 10 - B12 - D300**

<b>Type</b>	<b>SPB</b> Plastic filler breather	<b>Accessories</b> (for screw-in versions only)
		(none) without dipstick
		<b>D300</b> Dipstick 300 mm
<b>Version</b> (Pressurisation for SPB 2 only)		<b>Connection</b>
<b>S</b> without pressurisation (standard)		<b>B04</b> screw-in version, G 1/4 (for SPB 1)
<b>P1</b> pressurised at 0,20 bar		<b>B06</b> screw-in version, G 3/8 (for SPB 1+2)
<b>P2</b> pressurised at 0,35 bar		<b>B08</b> screw-in version, G 1/2 (for SPB 2)
<b>P3</b> pressurised at 0,70 bar		<b>B12</b> screw-in version, G 3/4 (for SPB 2/3)
		<b>S080</b> basket (for SPB 4/5 only)
		<b>X</b> no basket (for SPB 4/5 only)
<b>Cap size</b>		<b>Micron rating</b>
<b>1</b> 40 mm, screw-in version		<b>10</b> 10 µm (standard)
<b>2</b> 70 mm, screw-in version		
<b>3</b> 92 mm, screw-in version		
<b>4</b> 92 mm, single hole reservoir installation		
<b>5</b> 92 mm, six hole reservoir installation		



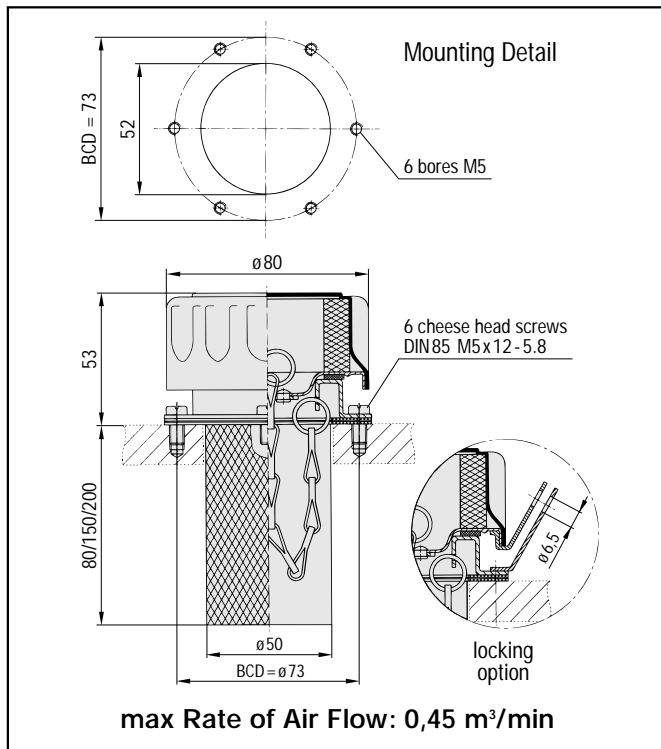
**Area of Application:**  
Ventilation and tank filling

**Standard Versions:**

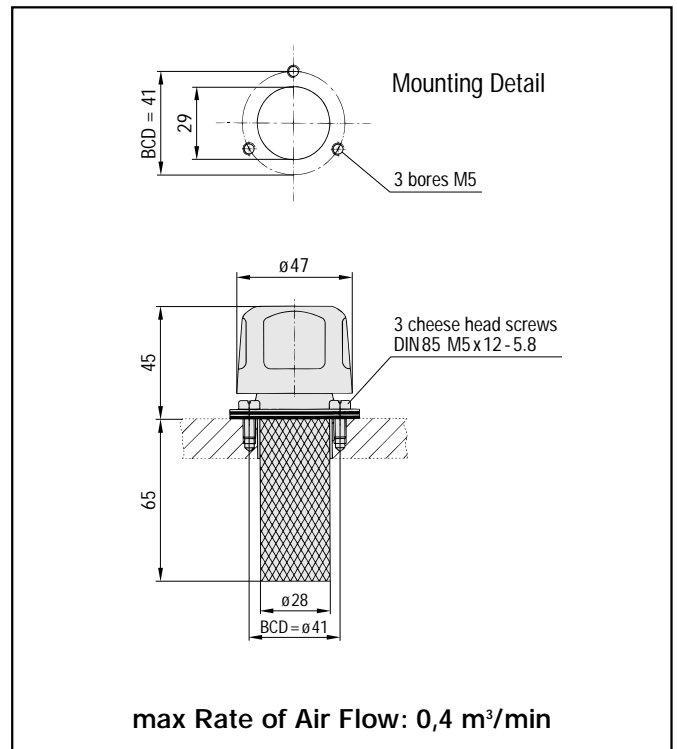
- Breather cap: Steel, chrome-plated
- Socket: Steel, chrome plated
- Air filter insert: 10 µm foam (PUR)
- Basket: Steel, zinc plated
- Basket Micron Rating: 300 µm
- Gaskets: Cork, Rubber

Custom built combinations and specials are available on request.

**Dimensions SES 3**



**Dimensions SES 6**



**Ordering Code**

**SES 3 - 10 - S080 - O - L - W**

<b>Type</b>		<b>Metal cap design</b>	
SES	Filler breather	O	chrome-plated (standard)
		W	black epoxy
<b>Cap size</b>		<b>Accessories</b>	
3	80 mm	O	none
6	47 mm	L	locking option (for SES 3 only)
<b>Micron rating</b>		<b>Dipstick</b>	
03	3 µm paper (for SES 3 only)	O	none (standard)
10	10 µm foam (PUR) (standard)	Dxxx	Dipstick (on request)
40	40 µm foam (PUR)		
<b>Basket</b>			
S080	80 mm (for SES 3 only)		
S150	150 mm (for SES 3 only)		
S200	200 mm (for SES 3 only)		
S065	65 mm (for SES 6 only)		
X	no basket		



**Area of Application:**

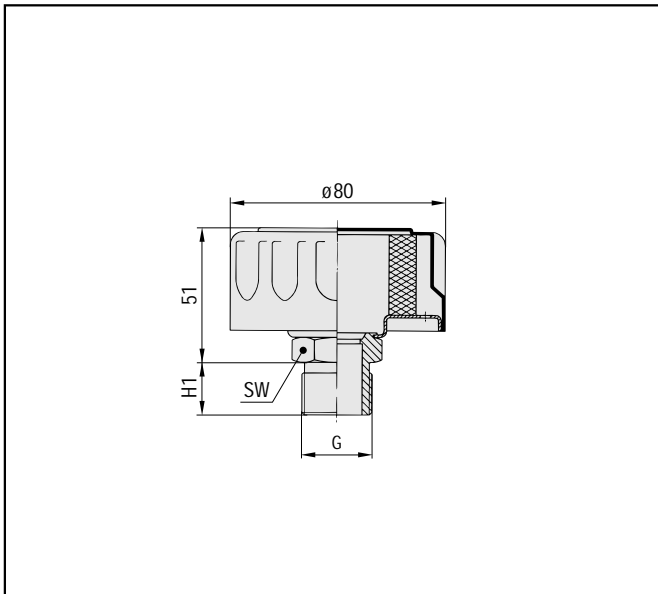
Tank ventilation

**Standard Versions:**

- Breather cap: Steel, chrome plated
- Socket: Steel, chrome plated
- Air filter insert: 10 µm foam (PUR)
- Thread form: BSP

Custom built combinations and specials are available on request.

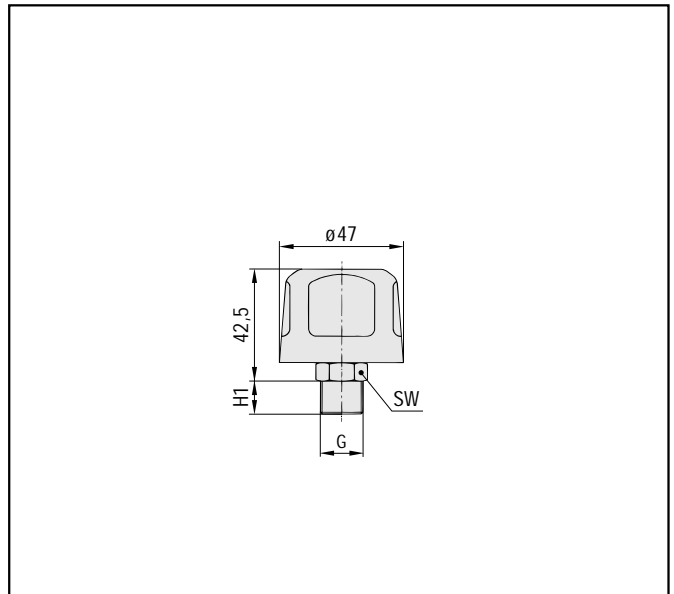
**Dimensions SES 5**



Type SES 5...	B08	B12	B16
G	G 1/2	G 3/4	G 1
H1	14	19,5	19
SW	22	32	34

max Rate of Air Flow:  
0,45 m³/min

**Dimensions SES 9**



Type SES 9...	B04	B06	B08
G	G 1/4	G 3/8	G 1/2
H1	10,5	12,5	13,5
SW	17	19	22

max Rate of Air Flow:  
0,4 m³/min

**Ordering Code**

**SES 5 - 10 - B12 - O - W**

<table border="1" style="width: 100%;"> <tr><th>Type</th></tr> <tr><td>SES Breather</td></tr> </table> <table border="1" style="width: 100%;"> <tr><th>Cap size</th></tr> <tr><td>5 80 mm</td></tr> <tr><td>9 47 mm</td></tr> </table> <table border="1" style="width: 100%;"> <tr><th>Micron rating</th></tr> <tr><td>03 3 µm paper (for SES 5 only)</td></tr> <tr><td>10 10 µm foam (PUR) (standard)</td></tr> <tr><td>40 40 µm foam (PUR)</td></tr> </table> <table border="1" style="width: 100%;"> <tr><th>Thread</th></tr> <tr><td>B04 G 1/4 (SES 9 only)</td></tr> <tr><td>B06 G 3/8 (SES 9 only)</td></tr> <tr><td>B08 G 1/2</td></tr> <tr><td>B12 G 3/4</td></tr> <tr><td>B16 G 1</td></tr> </table>	Type	SES Breather	Cap size	5 80 mm	9 47 mm	Micron rating	03 3 µm paper (for SES 5 only)	10 10 µm foam (PUR) (standard)	40 40 µm foam (PUR)	Thread	B04 G 1/4 (SES 9 only)	B06 G 3/8 (SES 9 only)	B08 G 1/2	B12 G 3/4	B16 G 1	<table border="1" style="width: 100%;"> <tr><th>Metal cap design</th></tr> <tr><td>O chrome-plated (standard)</td></tr> <tr><td>W black epoxy</td></tr> </table> <table border="1" style="width: 100%;"> <tr><th>Dipstick</th></tr> <tr><td>O none (standard)</td></tr> <tr><td>Dxxx Dipstick (on request)</td></tr> </table>	Metal cap design	O chrome-plated (standard)	W black epoxy	Dipstick	O none (standard)	Dxxx Dipstick (on request)
Type																						
SES Breather																						
Cap size																						
5 80 mm																						
9 47 mm																						
Micron rating																						
03 3 µm paper (for SES 5 only)																						
10 10 µm foam (PUR) (standard)																						
40 40 µm foam (PUR)																						
Thread																						
B04 G 1/4 (SES 9 only)																						
B06 G 3/8 (SES 9 only)																						
B08 G 1/2																						
B12 G 3/4																						
B16 G 1																						
Metal cap design																						
O chrome-plated (standard)																						
W black epoxy																						
Dipstick																						
O none (standard)																						
Dxxx Dipstick (on request)																						



### Area of Application:

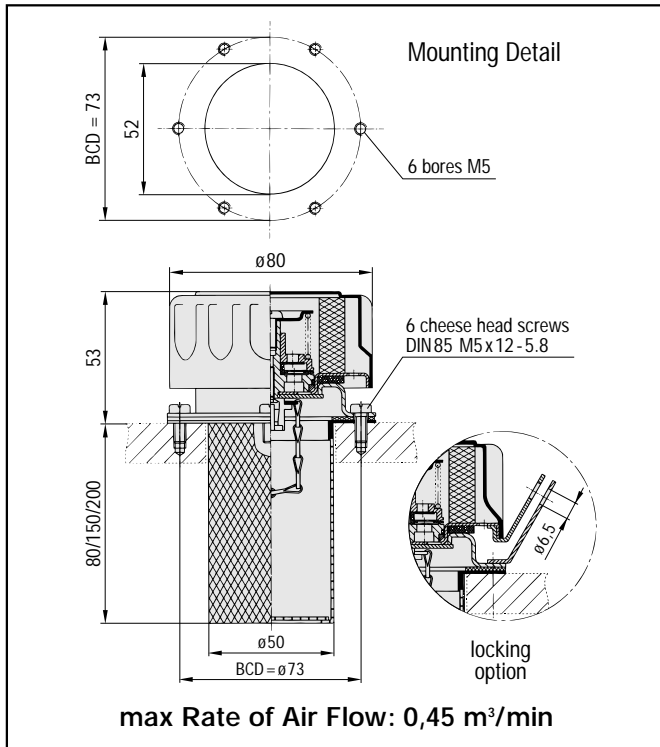
Ventilation and tank filling with tank stress

### Standard Versions:

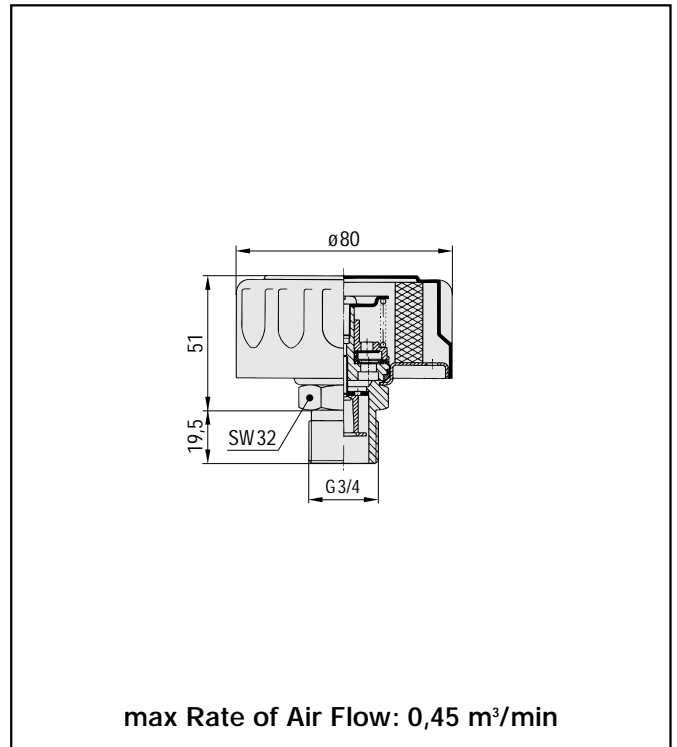
- Breather cap: Steel, chrome-plated
- Socket: Steel, chrome-plated
- Air filter insert: 10 µm foam (PUR)
- SES 7 Basket: Steel, zinc plated  
Basket Micron rating: 300 µm  
Gaskets: NBR
- SES 8 Thread form: BSP

2 pressure versions (0,35 bar and 0,7 bar) available

### Dimensions SES 7



### Dimensions SES 8

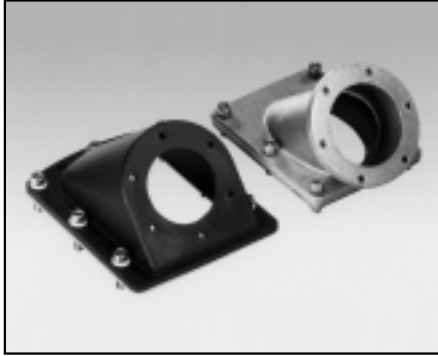


### Ordering Code

**SES 7 - 10 - 05 - S080 - O - L - W**

<b>Type</b>	SES Filler breather	<b>Metal cap design</b>	O chrome-plated (standard) W black epoxy
<b>Designation</b>	7 pressurised filler breather, bayonet style 8 pressurised breather, screw-in style	<b>Accessories</b>	O none L locking option (for SES 7 only)
<b>Micron rating</b>	03 3 µm paper (for SES 7 only) 10 10 µm foam (PUR) (standard) 40 40 µm foam (PUR)	<b>Dipstick</b>	O none (standard) Dxxx Dipstick (on request)
<b>Opening pressure</b>	05 0,35 bar (5 PSI) 10 0,70 bar (10 PSI)	<b>Adaption</b>	S080 Basket 80 mm (standard) (SES 7) S150 Basket 150 mm (SES 7) S200 Basket 200 mm (SES 7) B12 Thread G <sup>3</sup> / <sub>4</sub> (SES 8) X no basket (SES 7)





**Area of Application:**

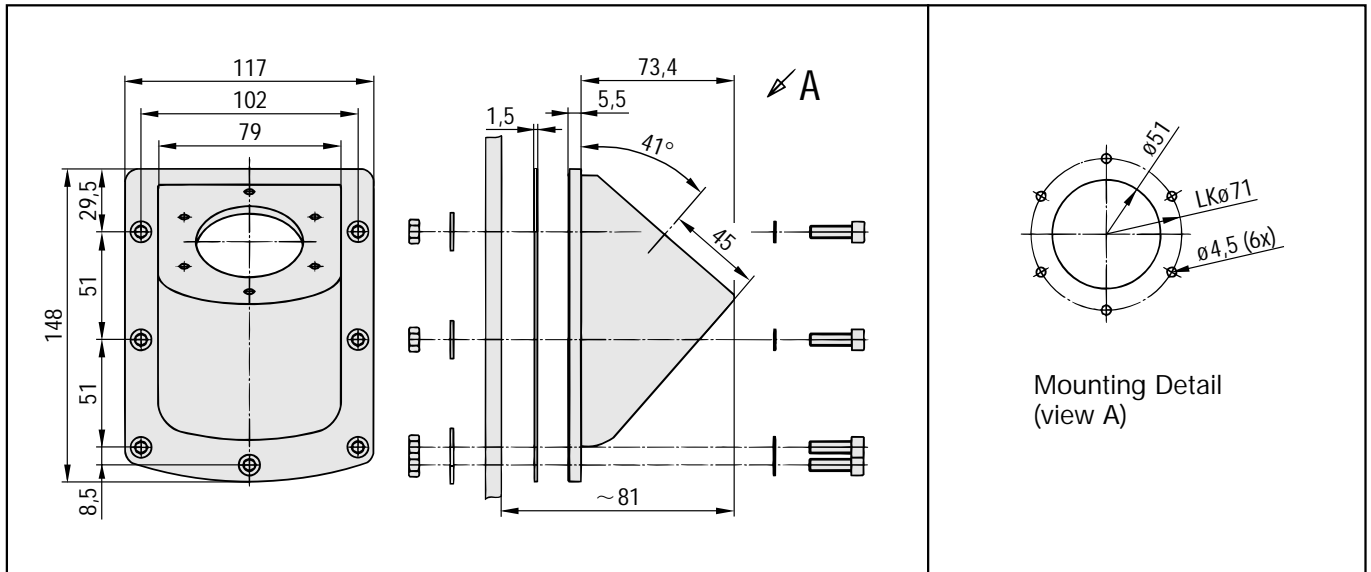
Lateral fastening of filler breathers (suitable with SES 3, SES 7 and SPB 5) with flange connection

**Materials:**

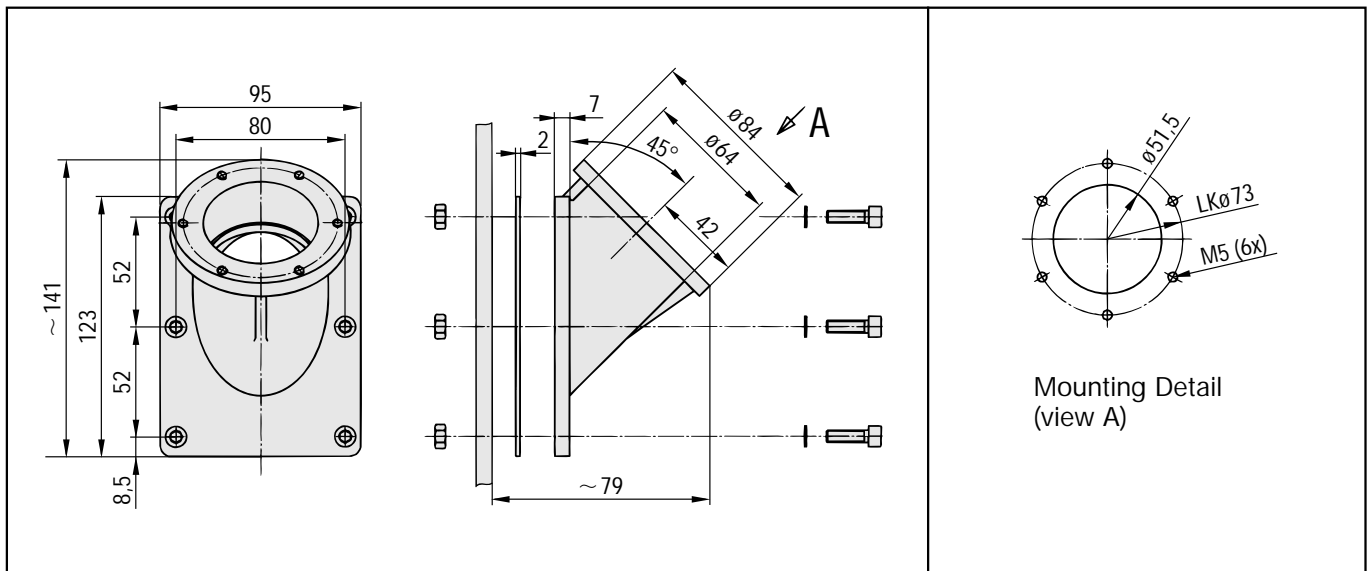
	<b>SES-ASMB-1</b>	<b>SES-ASMB-2</b>
• Housing:	Polyamide	Aluminium
• Seals:	Klingerit	Klingerit
• Screws:	Steel, zinc plated M6 x 25 DIN 912	Steel, zinc plated M6 x 25 DIN 912
• Nuts:	Steel, zinc plated M6 DIN 934	Steel, zinc plated M6 DIN 934
• Washers:	Steel, zinc plated	Steel, zinc plated
• Mounting screws:	Steel, zinc plated 4,8x13 DIN 7981	

Seals, screws, washers and nuts are supplied with the SES-ASMB as standard

**Dimensions SES-ASMB-1**



**Dimensions SES-ASMB-2**



**Ordering Code**

<b>SES-ASMB-1</b>		
<b>Type</b>	SES-ASMB	Angled side Mounting Bracket for SES 3, SES 7 and SPB 5
<b>Version</b>	1	Housing polyamide
	2	Housing aluminium



### Area of Application:

Ventilation and moisture absorption

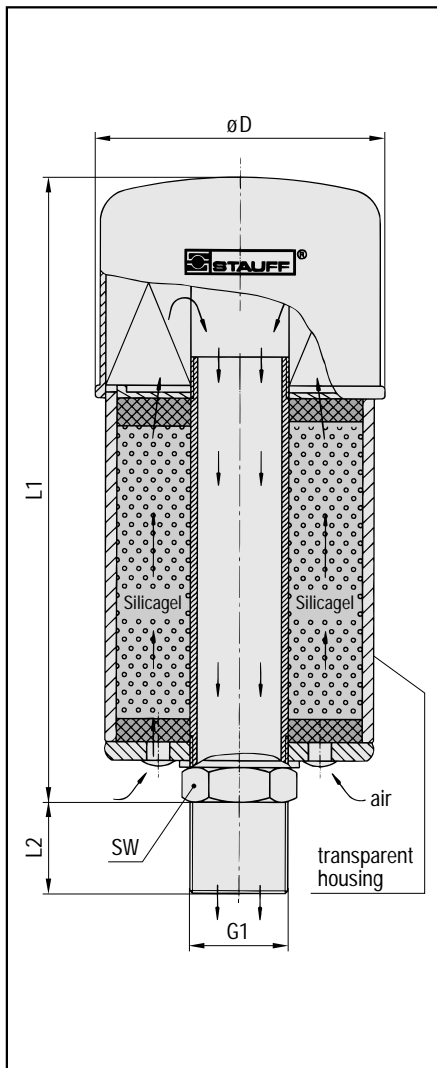
### Characteristics:

- available in 4 sizes
- Temperature range: 70°C max
- refillable with drying agent (silica gel; available separately)
- can be delivered complete with adaptor plates and contamination indicator
- replacement air filter insert SGB separately available (see page 22)

**Easy hygroscopic indication is possible with the drying agent's capability to change colours with increasing moisture.**

### Dimensions

	SDB-093	SDB-096	SDB-121	SDB-122
D	100	100	132,5	132,5
L1	159,5	228	266,5	375
L2	20	20	min 25	min 25
G1	G <sup>3/4</sup>	G <sup>3/4</sup>	G1 <sup>1/4</sup>	G1 <sup>1/4</sup>
SW	32	32	50	50



### Hygroscopic indication

As moisture is absorbed, the silica gel granules will gradually change colour from a deep blue to pink.

When the granules have become pink, replace them.

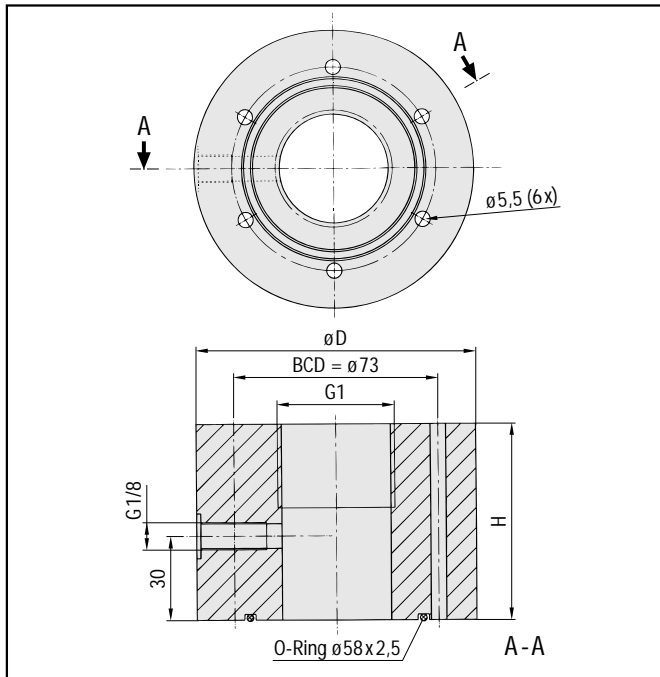
### Note:

At the bottom, desiccant air breathers are sealed with a folio and a plastic plug. Both must be removed before installation!

### Technical Data

	SDB-093	SDB-096	SDB-121	SDB-122
max Rate of air flow (m <sup>3</sup> /min)	0,5	0,5	1,25	1,25
Air filter micron rating (µm)	3	3	3	3
Weight (g)	850	1100	2700	4000
Connection thread (BSP)	G <sup>3/4</sup>	G <sup>3/4</sup>	G1 <sup>1/4</sup>	G1 <sup>1/4</sup>
Silica gel filling weight (g)	225	450	750	1500
max hygroscopicity (g)	72	144	240	480

## Adaptor Plates AP



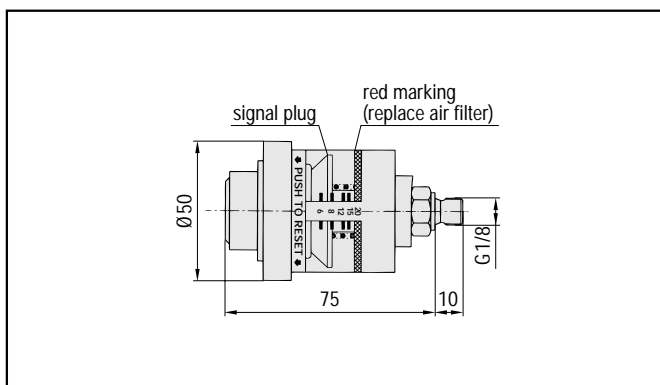
With AP plastic adaptor plates desiccant air breathers can directly be mounted to existing connections.

Plug, O-ring and socket cap screws (DIN 912) are supplied with AP as a standard.

### Dimensions

	AP-1	AP-2
D	88	100
H	50	70
G1	G 3/4	G 1 1/4

## Contamination Indicator FM



Adaptor plates AP are provided with a thread connection for the optical contamination indicator FM. The FM indicates the contamination level of the air breather SGB. You can restore the indicator by pressing the RESET knob for re-use.

## Ordering Code

**SDB - 122 - AP - FM**

<b>Type</b>		<b>Contamination indicator</b> (in conjunction with AP only)		
SDB	Desiccant air breather	(none) without contamination indicator		
<b>Size</b>		FM optical contamination indicator		
093	096	121	122	<b>Adaptor plate</b>
				(none) without adaptor plate
				AP with adaptor plate

Spare parts	
AP-1	adaptor plate for SDB-093/096
AP-2	adaptor plate for SDB-121/122
FM	contamination indicator for all sizes
RD-093	Silica gel refilling material for SDB-093
RD-096	Silica gel refilling material for SDB-096
RD-121	Silica gel refilling material for SDB-121
RD-122	Silica gel refilling material for SDB-122
SGB-090-03-B	Replacement air filter insert for SDB-093/096
SGB-120-03-B	Replacement air filter insert for SDB-121/122



### Area of Application:

Tank ventilation

### Characteristics:

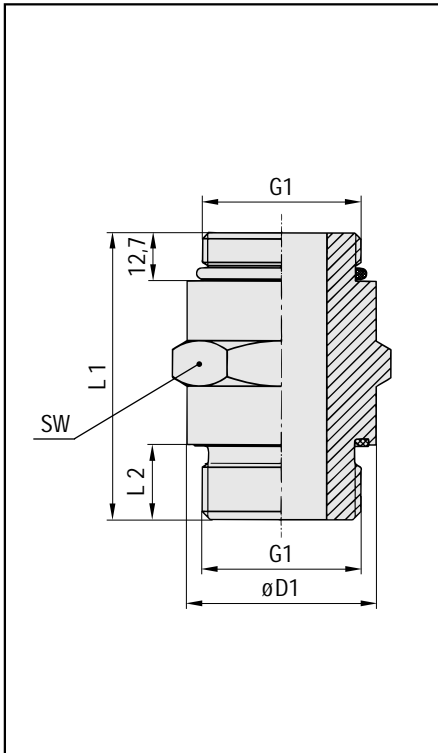
- Standard micron rating: 3 µm glass fibre
- Rate of air flow  
 SGB-090: 0,5 m³/min.  
 SGB-120: 1,5 m³/min.
- Adaptors\*  
 TBA-075-B for SGB-090  
 TBA-125-B for SGB-120

Also, SGB are designed to be used as air filters for STAUFF desiccant breathers (see pages 20 and 21).

### \* Adaptors

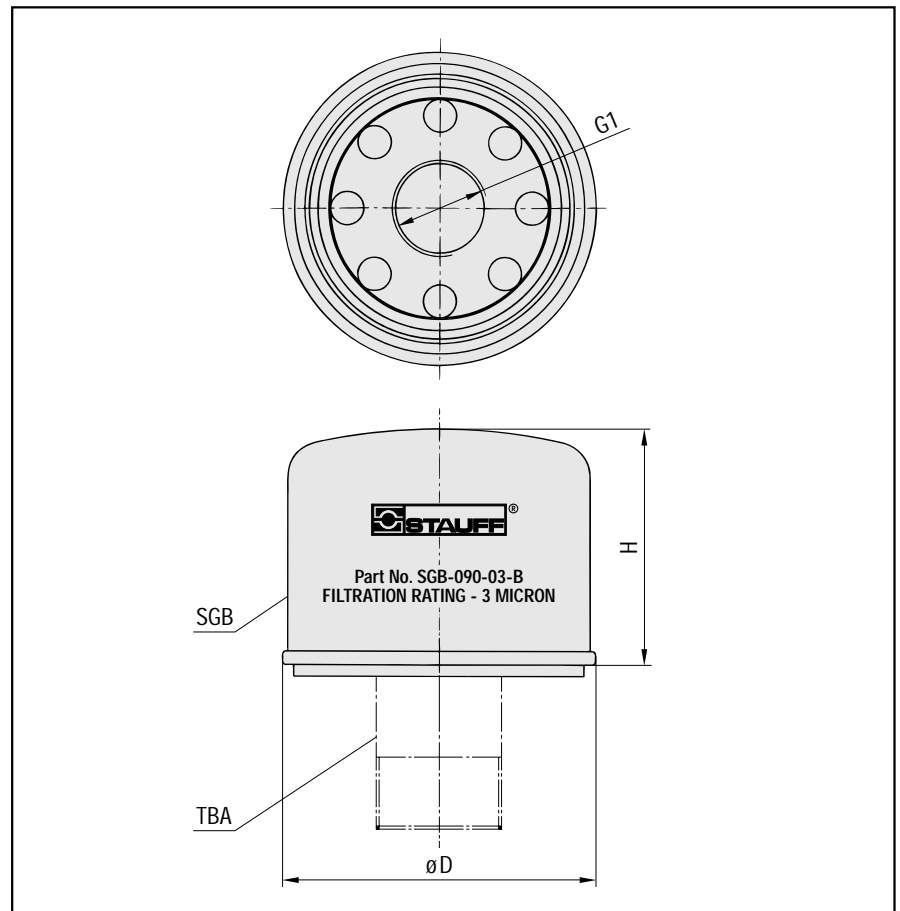
On request, screw-in adaptors for giant breathers SGB-090 and SGB-120 are available in combination with giant air breathers.

### Dimensions TBA



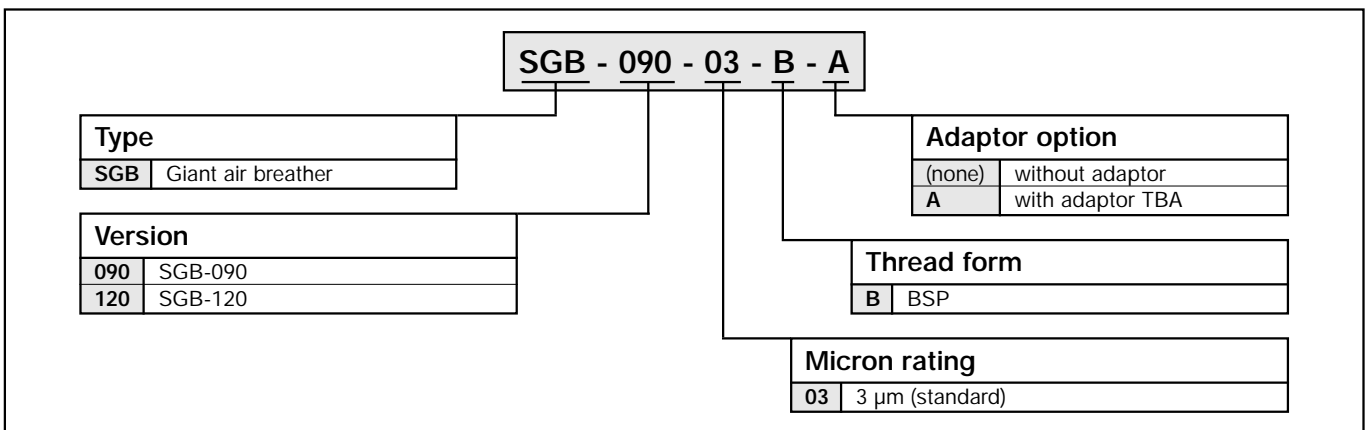
Type	L1	L2	G1	D1	SW	O-Ring
TBA-075-B	57	16	G <sup>3</sup> / <sub>4</sub>	32	32	ø 23,5 x 3
TBA-125-B	76	20	G1 <sup>1</sup> / <sub>4</sub>	50	50	ø 38,5 x 3

### Dimensions SGB



Type	D	H	G1
SGB-090	100	64	G <sup>3</sup> / <sub>4</sub>
SGB-120	132,5	104	G1 <sup>1</sup> / <sub>4</sub>

### Ordering Code



# Product range



### STAUFF CLAMPS:

Clamping systems for tubes, hoses, pipes, cables and components

#### Original STAUFF Clamps:

The tube fastening system in accordance with DIN 3015

Dimensional range from 6 to 800 mm

Different materials available

#### U-Bolt and DIN clamps

#### Angle Adjustment Clamps

#### Special clamps and supports:

Custom built solutions



### STAUFF TEST:

Pressure test systems

Venting and sampling of liquid and gas pressure systems

nominal working pressure: 630 bar maximum

100% closeness control

components tested in accordance with DIN 40.080

#### Test couplings and accessories:

Adaption threads M16x2 - M16x1,5 -

S12,65x1,5- Plug-in system

#### Test hoses:

DN 2 and DN 4; hose length and fittings on request

### MINITESTER PPC-04:

Digital measuring device

for:

Working pressure

Differential pressure

Temperature

Flow

RPH

Data output via

PC or printer



### STAUFF FILTERS:

Hydraulic filtration systems

#### High pressure filters for in-line mounting:

maximum working pressure: 630 bar

#### Return line tank top filters:

maximum working pressure: 16 bar

#### Replacement filter elements:

Compatible quality and dimensional interchange to suit most filter makes produced in own facilities

Filter materials: Glass fibre, Metal fibre, Polyester fibre, Wire mesh, Paper



### STAUFF HYDRAULIC ACCESSORIES:

Components for the construction of tanks and power units and mobile hydraulics

Level gauges

Filler breathers

Check valves

Diffusers

Spin-On - Filters

Return line bushes

Gauge isolator valves

Level temperature switches

Throttle and shut-off valves

Desiccant air breathers

Suction strainers

Stainless steel pressure gauges

Flow indicators

Air filters



### STAUFF BALL VALVES:

Ball valves for flow control in steel, stainless steel,

alloy and other materials.