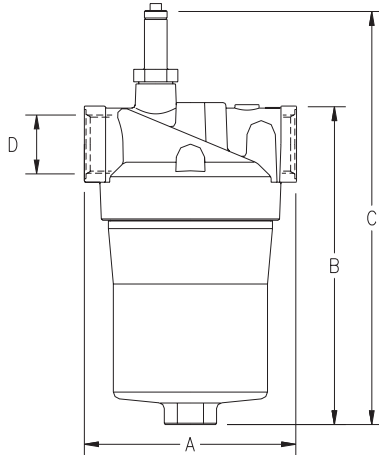




Low Pressure Inline

PI 200 SERIES



- 50 & 80 l/min units rated for operating pressure of 60 bar. 150, 300 & 450 l/min units rated for operating pressure of 25 bar
- Low pressure drop, high retention rate elements
- Supplied standard with visual clogging indicator
- Modular and compact design with BSPP porting
- Suitable for use with HFA, HFB & HFC fluids

part number	part number	part number	part number	part number	part number
50 l/min	A = 109mm	B = 153.5mm	C = 232 mm	D = G¹/₂	Mass = 0.9 kg
PI 2005 - 57				PI 2005 - 68	
PI 2005 - 57/MIC 10		PI 2005 - 57 SMX 3		PI 2005 - 68 SMX VST 3	
PI 2005 - 57/MIC 25		PI 2005 - 57 SMX 6		PI 2005 - 68 SMX VST 6	
PI 2005 - 57/DRG 40		PI 2005 - 57 SMX 10		PI 2005 - 68 SMX VST 10	
PI 2005 - 57/DRG 60		PI 2005 - 57 SMX 25		PI 2005 - 68 SMX VST 25	
80 l/min	A = 95 mm	B = 229.5 mm	C = 308 mm	D = G³/₄	Mass = 1.0 kg
PI 2008 - 57				PI 2008 - 68	
PI 2008 - 57 MIC 10		PI 2008 - 57 SMX 3		PI 2008 - 68 SMX VST 3	
PI 2008 - 57 MIC 25		PI 2008 - 57 SMX 6		PI 2008 - 68 SMX VST 6	
PI 2008 - 57 DRG 40		PI 2008 - 57 SMX 10		PI 2008 - 68 SMX VST 10	
PI 2008 - 57 DRG 60		PI 2008 - 57 SMX 25		PI 2008 - 68 SMX VST 25	
150 l/min	A = 164 mm	B = 230.5 mm	C = 304 mm	D = G1	Mass = 2.1 kg
PI 2015 - 57				PI 2015 - 68	
PI 2015 - 57 MIC 10		PI 2015 - 57 SMX 3		PI 2015 - 68 SMX VST 3	
PI 2015 - 57 MIC 25		PI 2015 - 57 SMX 6		PI 2015 - 68 SMX VST 6	
PI 2015 - 57 DRG 40		PI 2015 - 57 SMX 10		PI 2015 - 68 SMX VST 10	
PI 2015 - 57 DRG 60		PI 2015 - 57 SMX 25		PI 2015 - 68 SMX VST 25	
300 l/min	A = 150 mm	B = 346.5 mm	C = 360 mm	D = G 1¹/₄	Mass = 2.4 kg
PI 2030 - 57				PI 2030 - 68	
PI 2030 - 57 MIC 10		PI 2030 - 57 SMX 3		PI 2030 - 68 SMX VST 3	
PI 2030 - 57 MIC 25		PI 2030 - 57 SMX 6		PI 2030 - 68 SMX VST 6	
PI 2030 - 57 DRG 40		PI 2030 - 57 SMX 10		PI 2030 - 68 SMX VST 10	
PI 2030 - 57 DRG 60		PI 2030 - 57 SMX 25		PI 2030 - 68 SMX VST 25	
450 l/min	A = 150 mm	B = 461.5 mm	C = 535 mm	D = G1¹/₂	Mass = 6.5 kg
PI 2045 - 57				PI 2045 - 68	
PI 2045 - 57 MIC 10		PI 2045 - 57 SMX 3		PI 2045 - 68 SMX VST 3	
PI 2045 - 57 MIC 25		PI 2045 - 57 SMX 6		PI 2045 - 68 SMX VST 6	
PI 2045 - 57 DRG 40		PI 2045 - 57 SMX 10		PI 2045 - 68 SMX VST 10	
PI 2045 - 57 DRG 60		PI 2045 - 57 SMX 25		PI 2045 - 68 SMX VST 25	

filter assemblies filter option

description

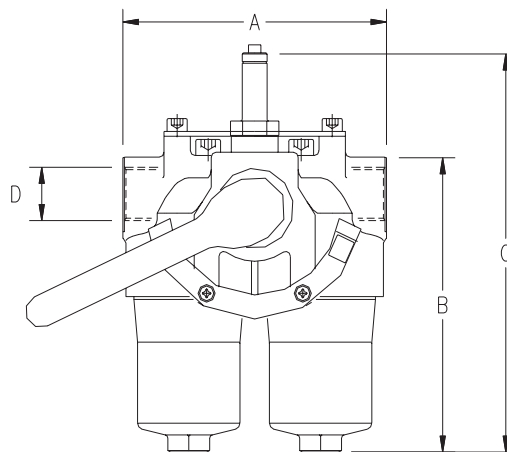
-58 or -69

Optional hirshmann connector to modify visual indicator into visual/electrical indicator

Low Pressure Duplex Inline

PI 210 SERIES

- Ergonomic changeover function, with safety lock and pressure compensation, allowing continual system operation, even during servicing or cartridge replacement
- Units rated for operating pressure of 25 bar - smaller units at 60 bar
- BSPP or SAE 3000 psi flanged porting (add/FL to part number for flanged option. eg. PI 2105-68/FL SMX 10)
- Visual clogging indicator supplied as standard on all units



part number		part number		part number	
50 l/min	A = 168mm	B = 200mm	C = 258 mm	D = G1	Mass = 2.6 kg
PI 2105 - 57				PI 2105 - 68	
PI 2105 - 57 MIC 10		PI 2105 - 57 SMX 3		PI 2105 - 68 SMX VST 3	
PI 2105 - 57 MIC 25		PI 2105 - 57 SMX 6		PI 2105 - 68 SMX VST 6	
PI 2105 - 57 DRG 40		PI 2105 - 57 SMX 10		PI 2105 - 68 SMX VST 10	
PI 2105 - 57 DRG 60		PI 2105 - 57 SMX 25		PI 2105 - 68 SMX VST 25	
80 l/min	A = 168 mm	B = 276 mm	C = 334 mm	D = G1	Mass = 2.9 kg
PI 2108 - 57				PI 2108 - 68	
PI 2108 - 57 MIC 10		PI 2108 - 57 SMX 3		PI 2108 - 68 SMX VST 3	
PI 2108 - 57 MIC 25		PI 2108 - 57 SMX 6		PI 2108 - 68 SMX VST 6	
PI 2108 - 57 DRG 40		PI 2108 - 57 SMX 10		PI 2108 - 68 SMX VST 10	
PI 2108 - 57 DRG 60		PI 2108 - 57 SMX 25		PI 2108 - 68 SMX VST 25	
150 l/min	A = 280 mm	B = 269 mm	C = 327 mm	D = G1½	Mass = 7 kg
PI 2115 - 57				PI 2115 - 68	
PI 2115 - 57 MIC 10		PI 2115 - 57 SMX 3		PI 2115 - 68 SMX VST 3	
PI 2115 - 57 MIC 25		PI 2115 - 57 SMX 6		PI 2115 - 68 SMX VST 6	
PI 2115 - 57 DRG 40		PI 2115 - 57 SMX 10		PI 2115 - 68 SMX VST 10	
PI 2115 - 57 DRG 60		PI 2115 - 57 SMX 25		PI 2115 - 68 SMX VST 25	
300 l/min	A = 280 mm	B = 386 mm	C = 444 mm	D = G 1½	Mass = 8 kg
PI 2130 - 57				PI 2130 - 68	
PI 2130 - 57 MIC 10		PI 2130 - 57 SMX 3		PI 2130 - 68 SMX VST 3	
PI 2130 - 57 MIC 25		PI 2130 - 57 SMX 6		PI 2130 - 68 SMX VST 6	
PI 2130 - 57 DRG 40		PI 2130 - 57 SMX 10		PI 2130 - 68 SMX VST 10	
PI 2130 - 57 DRG 60		PI 2130 - 57 SMX 25		PI 2130 - 68 SMX VST 25	
450 l/min	A = 280 mm	B = 501 mm	C = 559 mm	D = G1½	Mass = 16 kg
PI 2145 - 57				PI 2145 - 68	
PI 2145 - 57 MIC 10		PI 2145 - 57 SMX 3		PI 2145 - 68 SMX VST 3	
PI 2145 - 57 MIC 25		PI 2145 - 57 SMX 6		PI 2145 - 68 SMX VST 6	
PI 2145 - 57 DRG 40		PI 2145 - 57 SMX 10		PI 2145 - 68 SMX VST 10	
PI 2145 - 57 DRG 60		PI 2145 - 57 SMX 25		PI 2145 - 68 SMX VST 25	

filter assemblies
filter option

description

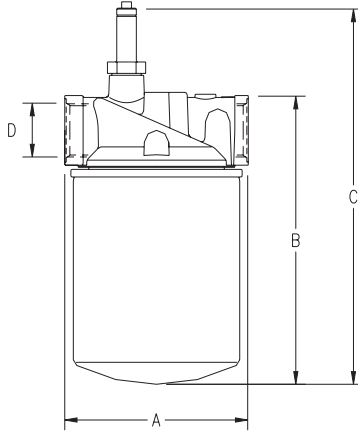
-58 or -69

Optional hirshmann connector to modify visual indicator into visual/electrical indicator



Low Pressure Spin-on Inline

PI 220 & PI 270 SERIES



- Spin on cartridge filter assemblies rated to 10 bar
- PI 270 series incorporates dual-head high flow capabilities
- High retention rate, low pressure drop cartridges
- Supplied with visual clogging indicator and BSPP porting as standard

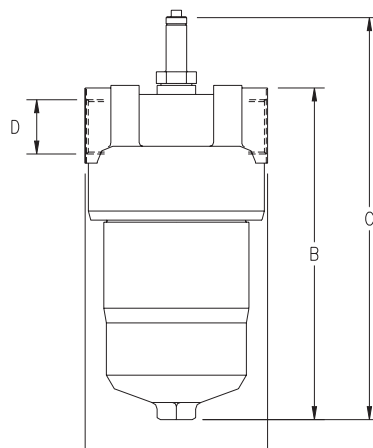
part number	list price		part number	list price	
20 l/min	A = 109 mm	B = 162.5 mm	C = 241 mm	D = G¹/₂	Mass = 1.5 kg
PI 2202 - 57			PI 2202 - 68		
PI 2202 - 57 MIC 10			PI 2202 - 68 MIC 10		
PI 2202 - 57 SMX 10			PI 2202 - 68 SMX 10		
30 l/min	A = 109 mm	B = 182.5 mm	C = 261 mm	D = G¹/₂	Mass = 1.75 kg
PI 2203 - 57			PI 2203 - 68		
PI 2203 - 57 MIC 10			PI 2203 - 68 MIC 10		
PI 2203 - 57 SMX 10			PI 2203 - 68 SMX 10		
60 l/min	A = 95 mm	B = 249.5 mm	C = 328 mm	D = G³/₄	Mass = 2.25 kg
PI 2205 - 57			PI 2205 - 68		
PI 2205 - 57 MIC 10			PI 2205 - 68 MIC 10		
PI 2205 - 57 SMX 10			PI 2205 - 68 SMX 10		
100 l/min	A = 150 mm	B = 228 mm	C = 302 mm	D = G¹/₄	Mass = 3.9 kg
PI 2210 - 57			PI 2210 - 68		
PI 2210 - 57 MIC 10			PI 2210 - 68 MIC 10		
PI 2210 - 57 SMX 10			PI 2210 - 68 SMX 10		
140 l/min	A = 150 mm	B = 368.5 mm	C = 442 mm	D = G¹/₄	Mass = 5.3 kg
PI 2214 - 57			PI 2214 - 68		
PI 2214 - 57 MIC 10			PI 2214 - 68 MIC 10		
PI 2214 - 57 SMX 10			PI 2214 - 68 SMX 10		
250 l/min	A = 300 mm	B = 240 mm	C = 284 mm	D = G¹/₂	Mass = 3.7 kg
PI 2720 - 57			PI 2720 - 68		
PI 2720 - 57 MIC 10			PI 2720 - 68 MIC 10		
PI 2720 - 57 SMX 10			PI 2720 - 68 SMX 10		
280 l/min	A = 300 mm	B = 377 mm	C = 421 mm	D = G¹/₂	Mass = 4 kg
PI 2728 - 57			PI 2728 - 68		
PI 2728 - 57 MIC 10			PI 2728 - 68 MIC 10		
PI 2728 - 57 SMX 10			PI 2728 - 68 SMX 10		

filter assemblies filter option	description
-58 or -69	Optional hirshmann connector to modify visual indicator into visual/electrical indicator

Medium/High Pressure Inline

PI 360 SERIES

- 50, 80 & 110 l/min units rated for operating pressure of 315 bar . 150, 300 & 450 l/min units rated for operating pressure of 210 bar
- Visual indicator supplied as standard on non by-passed filters, optional on by-passed models. All models with BSPP porting
- Low pressure drop, high retention rate elements



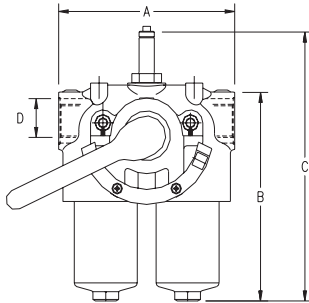
part number		part number		part number	
50 l/min	A = 89.5 mm	B = 187mm	C = 245 mm	D = G½	Mass = 4 kg
PI 3605 - 11				PI 3605 - 14	
PI 3605 - 11 MIC 10		PI 3605 - 11 SMX 3		PI 3605 - 14 SMX VST 3	
PI 3605 - 11 MIC 25		PI 3605 - 11 SMX 6		PI 3605 - 14 SMX VST 6	
PI 3605 - 11 DRG 40		PI 3605 - 11 SMX 10		PI 3605 - 14 SMX VST 10	
PI 3605 - 11 DRG 60		PI 3605 - 11 SMX 25		PI 3605 - 14 SMX VST 25	
80 l/min	A = 89.5 mm	B = 265 mm	C = 323 mm	D = G¾	Mass = 4.3 kg
PI 3608 - 11				PI 3608 - 14	
PI 3608 - 11 MIC 10		PI 3608 - 11 SMX 3		PI 3608 - 14 SMX VST 3	
PI 3608 - 11 MIC 25		PI 3608 - 11 SMX 6		PI 3608 - 14 SMX VST 6	
PI 3608 - 11 DRG 40		PI 3608 - 11 SMX 10		PI 3608 - 14 SMX VST 10	
PI 3608 - 11 DRG 60		PI 3608 - 11 SMX 25		PI 3608 - 14 SMX VST 25	
110 l/min	A = 89.5 mm	B = 341 mm	C = 399 mm	D = G¾	Mass = 5 kg
PI 3611 - 11				PI 3611 - 14	
PI 3611 - 11 MIC 10		PI 3611 - 11 SMX 3		PI 3611 - 14 SMX VST 3	
PI 3611 - 11 MIC 25		PI 3611 - 11 SMX 6		PI 3611 - 14 SMX VST 6	
PI 3611 - 11 DRG 40		PI 3611 - 11 SMX 10		PI 3611 - 14 SMX VST 10	
PI 3611 - 11 DRG 60		PI 3611 - 11 SMX 25		PI 3611 - 14 SMX VST 25	
150 l/min	A = 142 mm	B = 259 mm	C = 315mm	D = G1¼	Mass = 11.5 kg
PI 3615 - 11				PI 3615 - 14	
PI 3615 - 11 MIC 10		PI 3615 - 11 SMX 3		PI 3615 - 14 SMX VST 3	
PI 3615 - 11 MIC 25		PI 3615 - 11 SMX 6		PI 3615 - 14 SMX VST 6	
PI 3615 - 11 DRG 40		PI 3615 - 11 SMX 10		PI 3615 - 14 SMX VST 10	
PI 3615 - 11 DRG 60		PI 3615 - 11 SMX 25		PI 3615 - 14 SMX VST 25	
300 l/min	A = 142 mm	B = 384 mm	C = 440 mm	D = G1¼	Mass = 14 kg
PI 3630 - 11				PI 3630 - 14	
PI 3630 - 11 MIC 10		PI 3630 - 11 SMX 3		PI 3630 - 14 SMX VST 3	
PI 3630 - 11 MIC 25		PI 3630 - 11 SMX 6		PI 3630 - 14 SMX VST 6	
PI 3630 - 11 DRG 40		PI 3630 - 11 SMX 10		PI 3630 - 14 SMX VST 10	
PI 3630 - 11 DRG 60		PI 3630 - 11 SMX 25		PI 3630 - 14 SMX VST 25	

filter assemblies filter option	description
-12	Optional visual indicator for -11 filter
-13	Optional visual/electrical indicator for -11 filter
-15	Optional hirshmann connector to modify visual indicator into visual/electrical indicator -14 filter



Medium/High Pressure Duplex Inline

PI 370 SERIES



- Ergonomic changeover function with safety lock and pressure compensation
- All units rated for operating pressure of 210 bar
- Visual indicator supplied as standard on all filters
- BSPP or SAE flanged porting (add/FL to part number for flanged option)

part number	part number	part number
50 l/min	A = 182 mm	B = 219 mm
PI 3705 - 12	PI 3705 - 12 SMX 3	PI 3705 - 14
PI 3705 - 12 MIC 10	PI 3705 - 12 SMX 6	PI 3705 - 14 SMX VST 3
PI 3705 - 12 MIC 25	PI 3705 - 12 SMX 10	PI 3705 - 14 SMX VST 6
PI 3705 - 12 DRG 40	PI 3705 - 12 SMX 25	PI 3705 - 14 SMX VST 10
PI 3705 - 12 DRG 60		PI 3705 - 14 SMX VST 25
80 l/min	A = 182 mm	B = 294 mm
PI 3708 - 12	PI 3708 - 12 SMX 3	PI 3708 - 14
PI 3708 - 12 MIC 10	PI 3708 - 12 SMX 6	PI 3708 - 14 SMX VST 3
PI 3708 - 12 MIC 25	PI 3708 - 12 SMX 10	PI 3708 - 14 SMX VST 6
PI 3708 - 12 DRG 40	PI 3708 - 12 SMX 25	PI 3708 - 14 SMX VST 10
PI 3708 - 12 DRG 60		PI 3708 - 14 SMX VST 25
110 l/min	A = 182 mm	B = 370 mm
PI 3711 - 12	PI 3711 - 12 SMX 3	PI 3711 - 14
PI 7611 - 12 MIC 10	PI 3711 - 12 SMX 6	PI 3711 - 14 SMX VST 3
PI 3711 - 12 MIC 25	PI 3711 - 12 SMX 10	PI 3711 - 14 SMX VST 6
PI 3711 - 12 DRG 40	PI 3711 - 12 SMX 25	PI 3711 - 14 SMX VST 10
PI 3711 - 12 DRG 60		PI 3711 - 14 SMX VST 25
150 l/min	A = 280 mm	B = 302 mm
PI 3715 - 12	PI 3715 - 12 SMX 3	PI 3715 - 14
PI 3715 - 12 MIC 10	PI 3715 - 12 SMX 6	PI 3715 - 14 SMX VST 3
PI 3715 - 12 MIC 25	PI 3715 - 12 SMX 10	PI 3715 - 14 SMX VST 6
PI 3715 - 12 DRG 40	PI 3715 - 12 SMX 25	PI 3715 - 14 SMX VST 10
PI 3715 - 12 DRG 60		PI 3715 - 14 SMX VST 25
300 l/min	A = 280 mm	B = 427 mm
PI 3730 - 12	PI 3730 - 12 SMX 3	PI 3730 - 14
PI 3730 - 12 MIC 10	PI 3730 - 12 SMX 6	PI 3730 - 14 SMX VST 3
PI 3730 - 12 MIC 25	PI 3730 - 12 SMX 10	PI 3730 - 14 SMX VST 6
PI 3730 - 12 DRG 40	PI 3730 - 12 SMX 25	PI 3730 - 14 SMX VST 10
PI 3730 - 12 DRG 60		PI 3730 - 14 SMX VST 25
450 l/min	A = 280 mm	B = 543 mm
PI 3745 - 12	PI 3745 - 12 SMX 3	PI 3745 - 14
PI 3745 - 12 MIC 10	PI 3745 - 12 SMX 6	PI 3745 - 14 SMX VST 3
PI 3745 - 12 MIC 25	PI 3745 - 12 SMX 10	PI 3745 - 14 SMX VST 6
PI 3745 - 12 DRG 40	PI 3745 - 12 SMX 25	PI 3745 - 14 SMX VST 10
PI 3745 - 12 DRG 60		PI 3745 - 14 SMX VST 25

filter assemblies
filter option

description

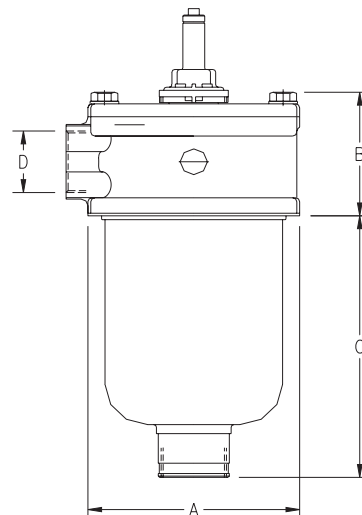
-15

Optional hirshmann connector to modify visual indicator into visual/electrical indicator - 14 filter

Tank Top Mounted

PI 500 SERIES

- Aluminium headed filter with plastic bowl (60-160 l/min) or steel bowl (160-1000 l/min).
- All units rated to 10 bar and designed for tank top mounting for return line flow
- High retention rate, low pressure drop elements
- BSPP porting for models up to 400 l/min, SAE flange for 630 -1000 l/min
- Optional combined breather available upon request (63 to 100l/min)



part number	part number	part number	part number	part number	part number
63 l/min	A = 115 mm	B = 77mm	C = 191 mm	D = G1	Mass = 0.7 kg
PI 50006 - 57					
PI 50006 - 57 MIC 10		PI 50006 - 57 SMX 3		PI 50006 - 57 SMX 10	
PI 50006 - 57 MIC 25		PI 50006 - 57 SMX 6		PI 50006 - 57 SMX 25	
100 l/min	A = 115 mm	B = 77 mm	C = 281 mm	D = G1	Mass = 0.75 kg
PI 50010 - 57					
PI 50010 - 57 MIC 10		PI 50010 - 57 SMX 3		PI 50010 - 57 SMX 10	
PI 50010 - 57 MIC 25		PI 50010 - 57 SMX 6		PI 50010 - 57 SMX 25	
160 l/min	A = 151 mm	B = 94 mm	C = 207 mm	D = G1½	Mass = 2.8 kg
PI 50016 - 57					
PI 50016 - 57 MIC 10		PI 50016 - 57 SMX 3		PI 50016 - 57 SMX 10	
PI 50016 - 57 MIC 25		PI 50016 - 57 SMX 6		PI 50016 - 57 SMX 25	
250 l/min	A = 151 mm	B = 94 mm	C = 297 mm	D = G1½	Mass = 4.2 kg
PI 50025 - 57					
PI 50025 - 57 MIC 10		PI 50025 - 57 SMX 3		PI 50025 - 57 SMX 10	
PI 50025 - 57 MIC 25		PI 50025 - 57 SMX 6		PI 50025 - 57 SMX 25	
400 l/min	A = 180 mm	B = 118 mm	C = 309 mm	D = DN 51	Mass = 6.4 kg
PI 50040 - 57					
PI 50040 - 57 MIC 10		PI 50040 - 57 SMX 3		PI 50040 - 57 SMX 10	
PI 50040 - 57 MIC 25		PI 50040 - 57 SMX 6		PI 50040 - 57 SMX 25	
630 l/min	A = 180 mm	B = 118 mm	C = 459 mm	D = DN 64	Mass = 7.2 kg
PI 50063 - 57					
PI 50063 - 57 MIC 10		PI 50063 - 57 SMX 3		PI 50063 - 57 SMX 10	
PI 50063 - 57 MIC 25		PI 50063 - 57 SMX 6		PI 50063 - 57 SMX 25	
1000 l/min	A = 207 mm	B = 149 mm	C = 430 mm	D = DN 76	Mass = 10.6 kg
PI 50100 - 57					
PI 50100 - 57 MIC 10		PI 50100 - 57 SMX 3		PI 50100 - 57 SMX 10	
PI 50100 - 57 MIC 25		PI 50100 - 57 SMX 6		PI 50100 - 57 SMX 25	

filter assemblies filter option	description
-58	Optional hirshmann connector to modify visual indicator into visual/electrical indicator

Pressure Elements

PI 200, 210, 360, 370 & 420 SERIES

- SMX 'beta' elements are designed to exceed ISO 4572 filtration requirements. All SMX elements satisfy $\beta_{x \geq 75}$ due to their multiple filtering layers with consistent pore sizing providing over 98.7% level of filtration
- MIC elements are constructed from cellulose fibre filtering layers and are classed as 'nominal' filters and achieve filtration levels of 95%
- DRG elements are cleanable wire mesh filters that may be classed as 'nominal' filters
- Every Mahle SMX element is quality tested using the bubble point test as per ISO 2942
- Mahle elements display exceptional retention rates with low pressure drops due to their large filtration areas, leading to extended service life

part number	part number	part number
50 l/min		
PI 1105 MIC 10	PI2105 SMX 3	PI 2205 SMX VST 3
PI 1005 MIC 25	PI 5105 SMX 6	PI 5205 SMX VST 6
PI 8305 DRG 40	PI 3105 SMX 10	PI 3205 SMX VST 10
PI 8405 DRG 60	PI 4105 SMX 25	PI 4205 SMX VST 25
80 l/min		
PI 1108 MIC 10	PI 2108 SMX 3	PI 2208 SMX VST 3
PI 1008 MIC 25	PI 5108 SMX 6	PI 5208 SMX VST 6
PI 8308 DRG 40	PI 3108 SMX 10	PI 3208 SMX VST 10
PI 8408 DRG 60	PI 4108 SMX 25	PI 4208 SMX VST 25
110 l/min		
PI 1111 MIC 10	PI 2111 SMX 3	PI 2211 SMX VST 3
PI 1011 MIC 25	PI 5111 SMX 6	PI 5211 SMX VST 6
PI 8311 DRG 40	PI 3111 SMX 10	PI 3211 SMX VST 10
PI 8411 DRG 60	PI 4111 SMX 25	PI 4211 SMX VST 25
150 l/min		
PI 1115 MIC 10	PI 2115 SMX 3	PI 2215 SMX VST 3
PI 1015 MIC 25	PI 5115 SMX 6	PI 5215 SMX VST 6
PI 8315 DRG 40	PI 3115 SMX 10	PI 3215 SMX VST 10
PI 8415 DRG 60	PI 4115 SMX 25	PI 4215 SMX VST 25
300 l/min		
PI 1130 MIC 10	PI 2130 SMX 3	PI 2230 SMX VST 3
PI 1030 MIC 25	PI 5130 SMX 6	PI 5230 SMX VST 6
PI 8330 DRG 40	PI 3130 SMX 10	PI 3230 SMX VST 10
PI 8430 DRG 60	PI 4130 SMX 25	PI 4230 SMX VST 25
450 l/min		
PI 1145 MIC 10	PI 2145 SMX 3	PI 2245 SMX VST 3
PI 1045 MIC 25	PI 5145 SMX 6	PI 5245 SMX VST 6
PI 8345 DRG 40	PI 3145 SMX 10	PI 3245 SMX VST 10
PI 8445 DRG 60	PI 4145 SMX 25	PI 4245 SMX VST 25



Return Elements

PI 500 SERIES

- Mahle return line filters are designed to prevent unnecessary back-pressure in the system. Large filtration areas are utilised encouraging long service life even with high retention rates
- SMX 'Beta' elements are designed to exceed ISO 4572 filtration requirements. All SMX elements satisfy $\beta_{x \geq 75}$ due to their multiple filtering layers with consistent pore size distributions
- MIC elements are constructed from cellulose fibre filtering layers and are classed as 'nominal' filters and achieve filtration levels of 95%

part number	part number	part number
40 l/min		
<u>PI 13004 MIC 10</u>	<u>PI 21004 SMX 3</u>	<u>PI 23004 SMX 10</u>
<u>PI 15004 MIC 25</u>	<u>PI 22004 SMX 6</u>	<u>PI 25004 SMX 25</u>
63 l/min		
<u>PI 13006 MIC 10</u>	<u>PI 21006 SMX 3</u>	<u>PI 23006 SMX 10</u>
<u>PI 15006 MIC 25</u>	<u>PI 22006 SMX 6</u>	<u>PI 25006 SMX 25</u>
100 l/min		
<u>PI 13010 MIC 10</u>	<u>PI 21010 SMX 3</u>	<u>PI 23010 SMX 10</u>
<u>PI 15010 MIC 25</u>	<u>PI 22010 SMX 6</u>	<u>PI 25010 SMX 25</u>
160 l/min		
<u>PI 13016 MIC 10</u>	<u>PI 21016 SMX 3</u>	<u>PI 23016 SMX 10</u>
<u>PI 15016 MIC 25</u>	<u>PI 22016 SMX 6</u>	<u>PI 25016 SMX 25</u>
250 l/min		
<u>PI 13025 MIC 10</u>	<u>PI 21025 SMX 3</u>	<u>PI 23025 SMX 10</u>
<u>PI 15025 MIC 25</u>	<u>PI 22025 SMX 6</u>	<u>PI 25025 SMX 25</u>
400 l/min		
<u>PI 13040 MIC 10</u>	<u>PI 21040 SMX 3</u>	<u>PI 23040 SMX 10</u>
<u>PI 15040 MIC 25</u>	<u>PI 22040 SMX 6</u>	<u>PI 25040 SMX 25</u>
630 l/min		
<u>PI 13063 MIC 10</u>	<u>PI 21063 SMX 3</u>	<u>PI 23063 SMX 10</u>
<u>PI 15063 MIC 25</u>	<u>PI 22063 SMX 6</u>	<u>PI 25063 SMX 25</u>
1000 l/min		
<u>PI 13100 MIC 10</u>	<u>PI 21100 SMX 3</u>	<u>PI 23100 SMX 10</u>
<u>PI 15100 MIC 25</u>	<u>PI 22100 SMX 6</u>	<u>PI 25100 SMX 25</u>

Mahle/Purolator

852 SERIES

- SMX 'beta' elements are designed to exceed ISO 4572 filtration requirements. All SMX elements satisfy $\beta_{x \geq 75}$ due to their multiple filtering layers with consistent pore size distribution
- MIC elements are constructed from cellulose fibre filtering layers and are classed as 'nominal' filters and achieve filtration levels of 95%



part number

852 034 MIC VST 10

852 034 MIC VST 25

852 059 SMX 25

852 070 MIC 10

852 070 MIC 25

852 070 SMX 10

852 070 SMX 25

852 125 MIC 10

852 125 DRG VST 25

852 126 MIC 10

852 126 DRG VST 100

852 127 MIC 10

852 127 SMX 10

852 149 MIC 10

852 149 MIC VST 10

852 149 SMX 10

852 239 MIC 10

852 241 MIC 10

852 362 SMX VST 10

852 362 SMX VST 25

part number

852 435 MIC 25

852 435 SMX 25

852 436 MIC 10

852 436 MIC 25

852 436 SMX 10

852 436 DRG 40

852 438 MIC 10

852 438 MIC 25

852 438 SMX 6

852 438 SMX 10

852 438 SMX 25

852 439 MIC 10

852 439 MIC 25

852 439 SMX 10

852 440 DRG 200

852 443 MIC 10

852 443 MIC 25

852 443 SMX 25

852 444 MIC 10

852 444 MIC 25

852 444 SMX 10

852 493 MIC 10

852 493 MIC 25

852 493 SMX 10

part number

852 588 MIC 10

852 760 MIC 10

852 760 MIC 25

852 760 SMX10

852 761 MIC 10

852 761 MIC 25

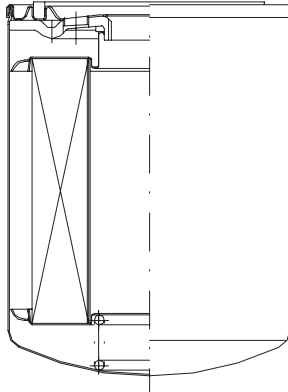
852 761 SMX 25

852 939 MIC 10



Spin-on Filter Cartridges

PI 220 & 270 SERIES ELEMENTS



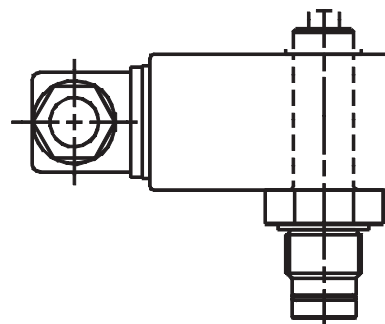
- Spin-on cartridges are generally designed to service mobile hydraulic applications
- SMX 'beta' elements are designed to exceed ISO 4572 filtration requirements. All SMX elements satisfy $\beta_{x \geq 75}$ due to their multiple filtering layers with consistent pore sizing
- MIC elements are constructed from cellulose fibre filtering layers and are classed as 'nominal' filters and achieve filtration levels of 95%

part number	nominal flow rate	filtration level
HC 2	63	MIC 10
HC 4	100	MIC 10
HC 6	40	MIC 10
HC 9	25	MIC 10
HC 15	63	MIC 10
HC 18	100	MIC 10
HC 25	125	SMX 10
HC 27	100	MIC 25
HC 28	100	SMX 10
HC 31	130	MIC 10
HC 34	160	MIC 10
HC 35	160	SMX 10
HC 41	160	MIC 25
HC 42	63	SMX 10
HC 44	25	MIC 10
HC 46	40	SMX 10
HC 51	63	MIC 25
HC 60	160	SMX 6
OC 33	25	MIC 15
OC 58	25	MIC 10
OC 59	25	MIC 10
OC 167	25	SMX 10
OC 169	63	MIC 10
OC 171	63	MIC 10
OC 172	40	MIC 10

Filter Accessories

CONTAMINATION INDICATORS

- Contamination indicators are recommended for all applications to prevent unfiltered by-pass flow and excessive stress on the filter element
- Standard visual indicators are bi-stable and require physical resetting. This ensures that filters due for replacement elements are easily identified. Mono-stable switches are also available upon request
- Electrical coils are actuated by the visual indicators and are easily converted from normally open to normally closed by simple rotation
- If a visual indicator exists, a coil may be added to create a visual/electrical indicator. OLAER also recommend the use of high collapse pressure element (VST) when the filter housing is not fitted with a by-pass valve
- Filters assemblies may also be ordered including these indicators (see filter assembly price list)
- Other special application indicators are available upon request



part number	indicator type	material	actuation
low pressure			
(up to 160 bar)			
PIS 3098/2.2	bi-stable visual	aluminium	2.2 bar
PIS 3098/5.0	bi-stable visual	aluminium	5.0 bar
PIS 3098/8.0	bi-stable visual	aluminium	8.0 bar
PIS 3097/2.2	bi-stable visual/electrical	aluminium	2.2 bar
PIS 3097/5.0	bi-stable visual/electrical	aluminium	5.0 bar
PIS 3097/8.0	bi-stable visual/electrical	aluminium	8.0 bar
high pressure			
(up to 400 bar)			
PIS 3093/2.2	bi-stable visual	brass	2.2 bar
PIS 3093/5.0	bi-stable visual	brass	5.0 bar
PIS 3093/8.0	bi-stable visual	brass	8.0 bar
PIS 3092/2.2	bi-stable visual/electrical	brass	2.2 bar
PIS 3092/5.0	bi-stable visual/electrical	brass	5.0 bar
PIS 3092/8.0	bi-stable visual/electrical	brass	8.0 bar
tank top			
(up to 10 bar)			
PIS 3084/2.2	bi-stable visual	polycarbonate	2.2 bar
PIS 3085/2.2 DSS / DSO	bi-stable visual/electrical pressure switch (1.2, 2.2 or 5 bar)	polycarbonate	2.2 bar
electrical coils			
7536550	standard indicator coil	plastic	by visual indicator