

Test 20

Typ SMK (M 16 x 2)



Quality and Service  
worldwide



## Walter Stauffenberg GmbH & Co. KG

P.O.Box 1745 · D-58777 Werdohl  
Im Ehrenfeld 4 · D-58791 Werdohl  
Tel. : + 49 (0) 2392 916-0  
Fax: + 49 (0) 2392 2505  
e-mail: sales@stauff.com  
Internet: http://www.stauff.com

### Australia:

Stauff Corporation (Pty.) Ltd.  
P.O. Box 227  
24-26 Doyle Avenue, Unanderra  
Wollongong, N.S.W.  
AUS-2526 Unanderra  
Tel. : + 61 2 42 71 18 77  
Fax: + 61 2 42 71 84 32

### Brazil:

Stauff Brasil Ltda.  
Avenida Gupe 10.767  
Galpa" o 2, Bloco A  
WT – Empresarial Parque Castello Branco  
BRA-Barueri – SP  
CEP: 06422-120  
Tel: +55 1147899020  
Fax: +55 1147899021

### China:

Stauff International Trading (Shanghai) Co., Ltd.  
Shangdian Mansion, Pudong  
331, Binzhou Road  
CHN-200126 Shanghai  
Tel. : + 86 21 58 45 65 60  
Fax: + 86 21 58 45 66 80

### France:

Stauff s.a.  
230, Avenue du Grain d'Or  
Z.I. de Vineuil-Blois Sud  
F-41354 Vineuil-cedex  
Tel. : + 33 2 54 50 55 50  
Fax: + 33 2 54 42 29 19

### India:

Stauff India Pvt. Ltd.  
Gat. No. 2340  
Pune-Nagar Road, Wagholi  
IND-Pune - 412207  
Tel. : + 91 20 705 19 90  
Fax: + 91 20 705 19 89

### Italy:

Stauff Italia s.r.l.  
Via Pola 21/23  
I-20034 Birone di Giussano  
Tel. : + 39 0362 31 21 13  
Fax: + 39 0362 33 55 36

### Japan:

Ohtsuka Tec. Co. Ltd.  
1-7-19 Minami Shinagawa  
Shinagawa-Ku  
JPN-Tokyo 140  
Tel. : + 81 3 34 72 12 01  
Fax: + 81 3 34 72 12 09

### Canada:

Stauff Canada Ltd.  
866 Milner Avenue  
CAN-Scarborough, Ontario M1B 5N7  
Tel. : + 1 416 282 46 08  
Fax: + 1 416 282 30 39

### USA:

Stauff Corporation  
7 Wm. Demarest Place  
USA-Waldwick, N.J. - 07463  
Tel. : + 1 201 444 78 00  
Fax: + 1 201 444 78 52

### United Kingdom:

Stauff UK  
332, Coleford Road  
Darnall  
GBR-Sheffield, S 9 5 P H  
Tel. : + 44 1142 518 518  
Fax: + 44 1142 518 519

## Oil Solutions

PO Box 653 Castlemaine 3450

Phone 0421 336 009

Fax 03 9012 4332

sales@oilsolutions.com.au

www.oilsolutions.com.au

## Stauff Test

### Test Points

**A complete range of test point connectors - adaptors - hoses and ancillary equipment for instant connection under pressures up to 630 Bar**

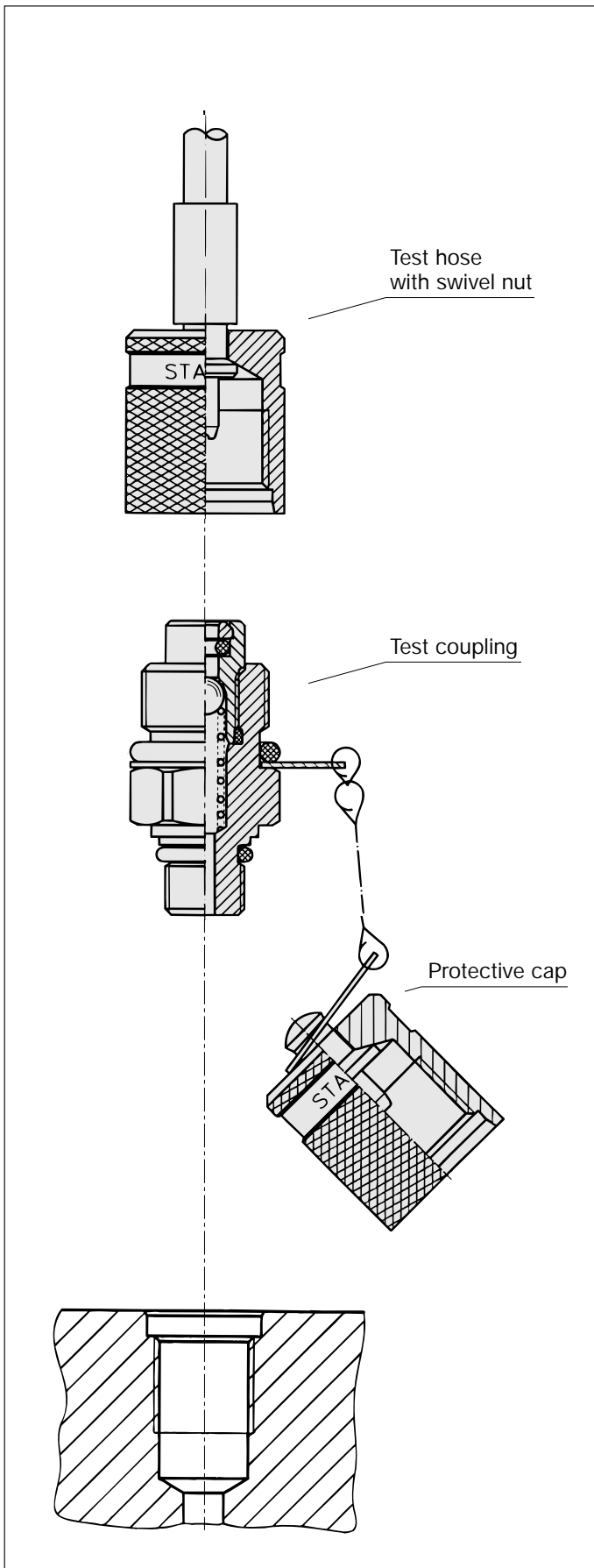
- Diagnostic/pressure testing - venting - sampling
- Screw in or plug in versions compatible with all standard systems
- Ball seat or poppet seat style
- Carbon or stainless steel materials
- Widest possible thread and style connections
- Suitable for temporary or permanent system installation
- Microbore hoses 2mm - 4mm with wide selection of end thread/style connectors

### Test Kits

- Digital pressure gauges
- Analogue dual scale pressure gauges
- Wide range of individual pressure gauges

### Diagnostics

- PPC electronic tester - digital readout for pressure - peak pressure - differential pressure - flow - RPM
- Data Loggers
- Flow Testers
- Temperature Sensors
- Particle Monitors



### Fast coupling for:

- Monitoring and control of pressure
- Venting
- Sampling in high, low and vacuum systems

### Advantages:

- Coupling at system pressure level
- Leakproof connection before **ball valve** is open
- Simple connection to measuring, control and switching devices
- Self locking metal guard cap

### Working pressure:

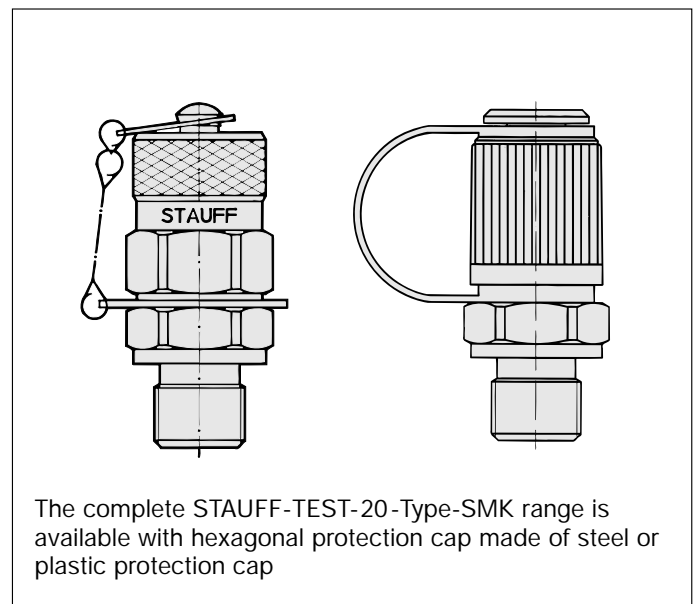
- Max. working pressure 630 bar  
For SMK style G, K and S the recommended working pressure of fitting manufacturer has to be applied
- Joining under pressure up to 400 bar max.

### Materials:

- Metal parts: Steel, Stainless Steel on request
- Ball: Stainless Steel
- Seals:
  - P = NBR (Temperature range - 20° C to + 90° C)
  - V = FPM (Temperature range - 20° C to + 200° C)
  - E = EPDM Ethylene Propylene (for Break Fluid)
  - Temperature range - 40° C to + 150° C
- Hose: Polyamide (Temperature range -35° C... 100° C max.)

### Media:

- Suitable for hydraulic oils and other mineral oil based fluids (Please pay attention to the sealing materials used!)
- For use in conjunction with other liquid media please consult STAUFF



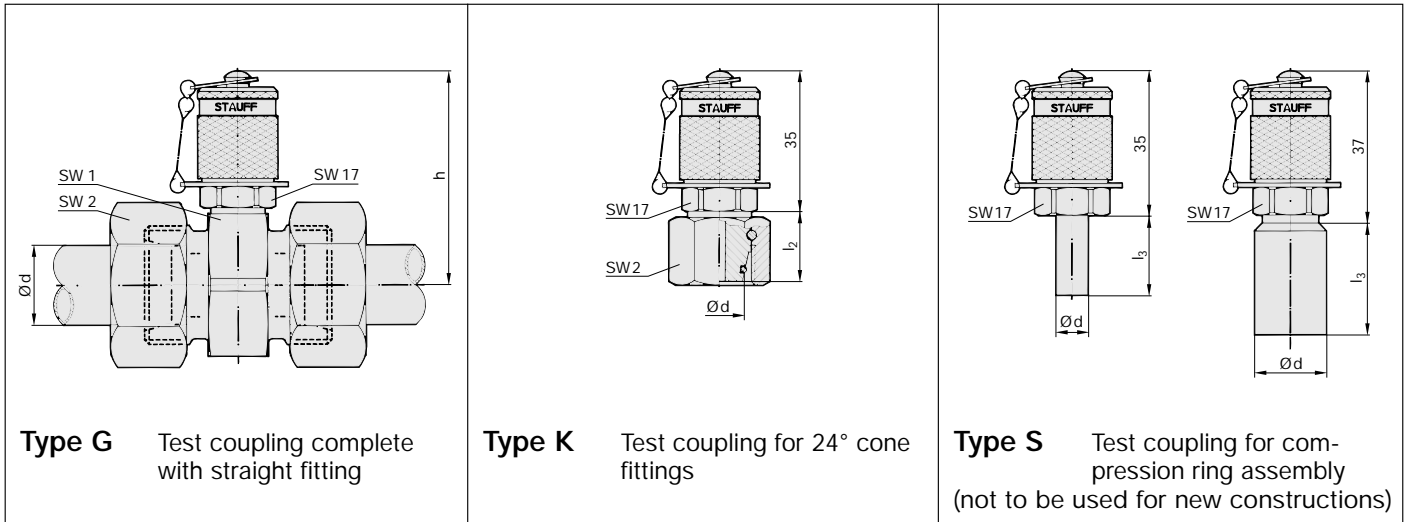
**Test coupling with protective cap SMK**

	Thread G	h	SW	Order No.		Seal
				NBR	FPM	
				M8 x 1	37	
M10 x 1	37	17	SMK 20 – M10 x 1 – PA	SMK 20 – M10 x 1 – VA	O-Ring Type A	
M12 x 1,5	37	17	SMK 20 – M12 x 1,5 – PC	SMK 20 – M12 x 1,5 – VC	O-Ring Type C	
M14 x 1,5	37	19	SMK 20 – M14 x 1,5 – PB	SMK 20 – M14 x 1,5 – VB	Metal joint Type B	
M16 x 1,5	37	22	SMK 20 – M16 x 1,5 – PB	SMK 20 – M16 x 1,5 – VB	Metal joint Type B	
G 1/8	39	17	SMK 20 – G 1/8 – PC	SMK 20 – G 1/8 – VC	O-Ring Type C	
G 1/4	37	19	SMK 20 – G 1/4 – PB	SMK 20 – G 1/4 – VB	Metal joint Type B	
G 1/4	37	19	SMK 20 – G 1/4 – PC	SMK 20 – G 1/4 – VC	O-Ring Type C	
G 3/8	37	22	SMK 20 – G 3/8 – PB	SMK 20 – G 3/8 – VB	Metal joint Type B	
R 1/8 taper	37	17	SMK 20 – R 1/8 K-PD	SMK 20 – R 1/8 K-VD	Taper Type D	
R 1/4 taper	36	17	SMK 20 – R 1/4 K-PD	SMK 20 – R 1/4 K-VD	Taper Type D	
1/8 NPT	36	17	SMK 20 – 1/8 NPT-PD	SMK 20 – 1/8 NPT-VD	Taper Type D	
1/4 NPT	35	17	SMK 20 – 1/4 NPT-PD	SMK 20 – 1/4 NPT-VD	Taper Type D	
5/16 – 24 UNF	38	17	SMK 20 – 5/16 UNF-PE	SMK 20 – 5/16 UNF-VE	O-Ring Type E	
7/16 – 20 UNF	38	17	SMK 20 – 7/16 UNF-PE	SMK 20 – 7/16 UNF-VE	O-Ring Type E	
1/2 – 20 UNF	38	17	SMK 20 – 1/2 UNF-PE	SMK 20 – 1/2 UNF-VE	O-Ring Type E	
9/16 – 18 UNF	37	19	SMK 20 – 9/16 UNF-PE	SMK 20 – 9/16 UNF-VE	O-Ring Type E	

Other port connections and seals on request.

**Port connections and seals**

Type A					Type B					Type C					Type D			Type E					
G	d <sub>1</sub>	t <sub>1</sub>	t <sub>2</sub>		G	d <sub>1</sub>	t <sub>1</sub>	t <sub>2</sub>	a	G	d <sub>1</sub>	t <sub>1</sub>	t <sub>2</sub>	a	G	t <sub>1</sub>	t <sub>2</sub>	G	d <sub>1</sub>	d <sub>2</sub>	t <sub>1</sub>	t <sub>2</sub>	a
M8 x 1	9,5 + 0,1	11	15,5		M14 x 1,5	20	12	18,5	1,5	M12 x 1,5	18	12	18,5	1,5	R 1/8 taper	5,5	9,5	5/16 – 24 UNF	9,1	17	10	12	1,9
M10 x 1	11,5 + 0,1	12	16,5		M16 x 1,5	22	12	18,5	1,5	G 1/8	15	8	13	1,0	R 1/4 taper	8,5	13,5	7/16 – 20 UNF	12,4	21	11,5	14	2,4
					G 1/4	19	12	18,5	1,5	G 1/4	19	12	18,5	1,5	1/8 NPT	6,9	11,6	1/2 – 20 UNF	14	23	11,5	14	2,4
					G 3/8	23	12	18,5	2						1/4 NPT	10	16,4	9/16 – 18 UNF	15,6	25	12,7	15,5	2,5

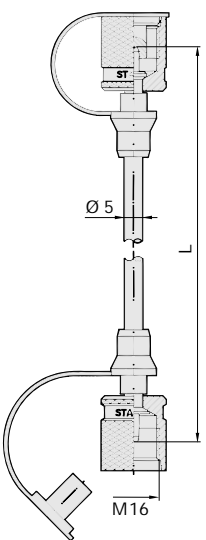
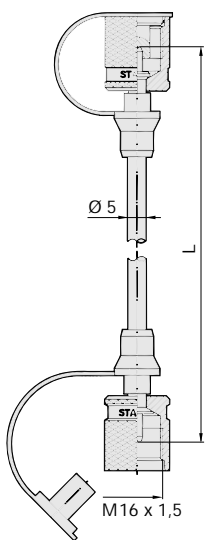
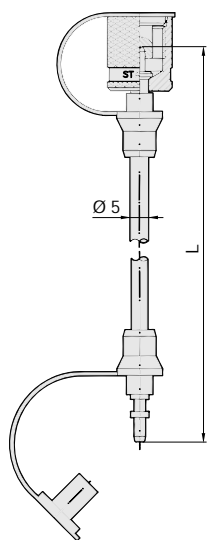
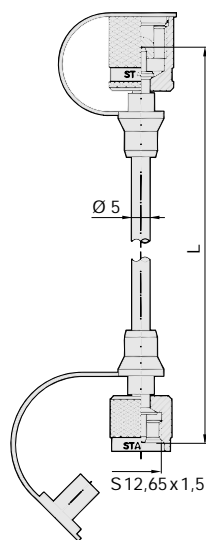
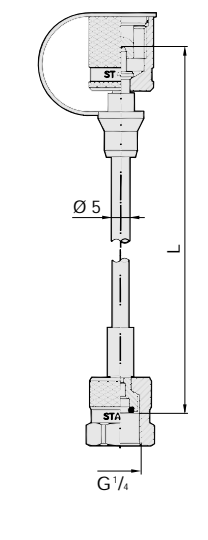
**Test coupling SMK (compression ring fittings acc. to DIN 2353)**


Series	PN	Pipe Ød	l <sub>2</sub>	l <sub>3</sub>	h	SW 1	SW 2	Order No.*		
								Type G	Type K	Type S
L	315	6	15,5	20	49	24	14	SMK 20 - 6L-PG	SMK 20 - 6L-PK	SMK 20 - 6-PS
		8	15,5	20	49	24	17	SMK 20 - 8L-PG	SMK 20 - 8L-PK	SMK 20 - 8-PS
		10	16,5	22	49	24	19	SMK 20 - 10L-PG	SMK 20 - 10L-PK	SMK 20 - 10-PS
		12	17,5	22	50,5	27	22	SMK 20 - 12L-PG	SMK 20 - 12L-PK	SMK 20 - 12-PS
		15	21	25	52	30	27	SMK 20 - 15L-PG	SMK 20 - 15L-PK	SMK 20 - 15-PS
		18	19,5	28	53	32	32	SMK 20 - 18L-PG	SMK 20 - 18L-PK	SMK 20 - 18-PS
	160	22	20,5	30	55	36	36	SMK 20 - 22L-PG	SMK 20 - 22L-PK	SMK 20 - 22-PS
		28	25	32	57,5	41	41	SMK 20 - 28L-PG	SMK 20 - 28L-PK	SMK 20 - 28-PS
35		30	42	60	46	50	SMK 20 - 35L-PG	SMK 20 - 35L-PK	SMK 20 - 35-PS	
42		31	45	64,5	55	60	SMK 20 - 42L-PG	SMK 20 - 42L-PK	SMK 20 - 42-PS	
S	630	6	14,5	20	49	24	17	SMK 20 - 6S-PG	SMK 20 - 6S-PK	SMK 20 - 6-PS
		8	16,5	20	49	24	19	SMK 20 - 8S-PG	SMK 20 - 8S-PK	SMK 20 - 8-PS
		10	16,5	22	49	24	22	SMK 20 - 10S-PG	SMK 20 - 10S-PK	SMK 20 - 10-PS
		12	17,5	22	49	24	24	SMK 20 - 12S-PG	SMK 20 - 12S-PK	SMK 20 - 12-PS
		14	19,5	22	50,5	27	27	SMK 20 - 14S-PG	SMK 20 - 14S-PK	SMK 20 - 14-PS
	400	16	18	28	52	30	30	SMK 20 - 16S-PG	SMK 20 - 16S-PK	SMK 20 - 16-PS
		20	24	30	55	36	36	SMK 20 - 20S-PG	SMK 20 - 20S-PK	SMK 20 - 20-PS
		25	26	36	57,5	41	46	SMK 20 - 25S-PG	SMK 20 - 25S-PK	SMK 20 - 25-PS
		30	30	41	60	46	50	SMK 20 - 30S-PG	SMK 20 - 30S-PK	SMK 20 - 30-PS
		315	38	34	48	64,5	55	60	SMK 20 - 38S-PG	SMK 20 - 38S-PK

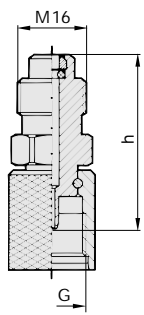
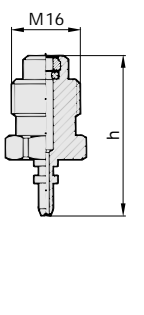
\* For ordering FPM seals please replace "P" by "V"

\* For EPDM seals replace "P" by "E"

**Test hose SMS** (for gaseous medium Type SGS)

Max. working pressure 400 bar  Test hose: Nominal bore 2 mm Minimum bending radius 20 mm  Nominal bore 4 mm also available  Pressure/t° factor: to 0°C 122 % at 30°C 110 % at 50°C 100 % at 80°C 86 % at 100°C 77 %  Hose construction: Hose-core and -cover PA Reinforcement: Synthetic fibre Bursting pressure: 1100 bar	Stauff-Test 20/20  STAUFF-TEST 20   STAUFF-TEST 20	Stauff-Test 15/20  STAUFF-TEST 20   STAUFF-TEST 15	Stauff-Test 10/20  STAUFF-TEST 20   STAUFF-TEST 10	Stauff-Test 12/20 <sup>2)</sup>  STAUFF-TEST 20   STAUFF-TEST 12	Stauff-Test 20/M <sup>1</sup> / <sub>2</sub> -P-OR <sup>3)</sup>  STAUFF-TEST 20   GAUGE ADAPTOR
	Length L <sup>1)</sup>	Order No.			
200	SMS-20 - 200-A	SMS-15/20 - 200-A	SMS-10/20 - 200-A	SMS-12/20 - 200-A	SMS-20/M <sup>1</sup> / <sub>2</sub> -P-OR - 200-A
400	SMS-20 - 400-A	SMS-15/20 - 400-A	SMS-10/20 - 400-A	SMS-12/20 - 400-A	SMS-20/M <sup>1</sup> / <sub>2</sub> -P-OR - 400-A
630	SMS-20 - 630-A	SMS-15/20 - 630-A	SMS-10/20 - 630-A	SMS-12/20 - 630-A	SMS-20/M <sup>1</sup> / <sub>2</sub> -P-OR - 630-A
800	SMS-20 - 800-A	SMS-15/20 - 800-A	SMS-10/20 - 800-A	SMS-12/20 - 800-A	SMS-20/M <sup>1</sup> / <sub>2</sub> -P-OR - 800-A
1000	SMS-20 - 1000-A	SMS-15/20 - 1000-A	SMS-10/20 - 1000-A	SMS-12/20 - 1000-A	SMS-20/M <sup>1</sup> / <sub>2</sub> -P-OR - 1000-A
1500	SMS-20 - 1500-A	SMS-15/20 - 1500-A	SMS-10/20 - 1500-A	SMS-12/20 - 1500-A	SMS-20/M <sup>1</sup> / <sub>2</sub> -P-OR - 1500-A
2000	SMS-20 - 2000-A	SMS-15/20 - 2000-A	SMS-10/20 - 2000-A	SMS-12/20 - 2000-A	SMS-20/M <sup>1</sup> / <sub>2</sub> -P-OR - 2000-A
2500	SMS-20 - 2500-A	SMS-15/20 - 2500-A	SMS-10/20 - 2500-A	SMS-12/20 - 2500-A	SMS-20/M <sup>1</sup> / <sub>2</sub> -P-OR - 2500-A
3200	SMS-20 - 3200-A	SMS-15/20 - 3200-A	SMS-10/20 - 3200-A	SMS-12/20 - 3200-A	SMS-20/M <sup>1</sup> / <sub>2</sub> -P-OR - 3200-A
4000	SMS-20 - 4000-A	SMS-15/20 - 4000-A	SMS-10/20 - 4000-A	SMS-12/20 - 4000-A	SMS-20/M <sup>1</sup> / <sub>2</sub> -P-OR - 4000-A
<sup>1)</sup> Bending protection and other lengths on request		<sup>2)</sup> Special thread: buttress thread S 12,65 x 1,5		<sup>3)</sup> Gauge adaptor 1/4 NPT, G 1/2 and 1/2 NPT on request	

**Adaptor SAD**

 Type A	 Type B	G	h	Type	Order No.		
					NBR	FPM	
		M16 x 1,5	39	A	SAD 20/15-P	SAD 20/15-V	
		plug in	37	B	SAD 20/10-P	SAD 20/10-V	
			S 12 <sup>1)</sup>	39	A	SAD 20/12-P	SAD 20/12-V
<sup>1)</sup> Special thread: buttress thread S 12,65 x 1,5							

**Bulkhead SSK** (for gaseous medium Type SSKK)

	G	h	Type	Order No.	
				NBR	FPM
	M16	72	A	SSK 20-P	SSK 20-V
	M16 x 1,5 <sup>1)</sup>	72	B	SSK 20/08 S-P	SSK 20/08 S-V
	M18 x 1,5 <sup>1)</sup>	72	B	SSK 20/12 L-P	SSK 20/12 L-V
<sup>1)</sup> Compression ring assembly 8 S/12 L acc. to DIN 2353					

**Gauge adaptor SMA**

	G	h	SW	Order No.	
				NBR	FPM
	G 1/4	54	19	SMA 20 - G 1/4 - P-OR	SMA 20 - G 1/4 - V-OR
	G 1/2	64	27	SMA 20 - G 1/2 - P-OR	SMA 20 - G 1/2 - V-OR
	1/4 NPT	54	19	SMA 20 - 1/4 NPT-P	SMA 20 - 1/4 NPT-V
	1/2 NPT	64	27	SMA 20 - 1/2 NPT-P	SMA 20 - 1/2 NPT-V
Damping element on request					

**Direct gauge adaptor SMD**

	G	h	SW	Order No.	
				NBR	FPM
	G 1/4	41	19	SMD 20 - G 1/4 - P-OR	SMD 20 - G 1/4 - V-OR
	G 1/2	51	27	SMD 20 - G 1/2 - P-OR	SMD 20 - G 1/2 - V-OR
	1/4 NPT	41	19	SMD 20 - 1/4 NPT-P	SMD 20 - 1/4 NPT-V
	1/2 NPT	51	27	SMD 20 - 1/2 NPT-P	SMD 20 - 1/2 NPT-V
Damping element on request					

**Welding adaptor SAS**

	Coupling thread G	h	Ød	Order No.
	M10 x 1	25	20	SAS - M10 x 1
	G 1/4	30	22	SAS - G 1/4
Material: St 37				

**Thread adaptor SRS**

	Thread G	h	SW	Order No.	Seal
	M16 x 1,5	8	22	SRS 20 - M16 x 1,5-B	Metal joint DIN 3852 Type B
	G 1/8	15,5	17	SRS 20 - G 1/8-B	
	G 3/8	10,5	22	SRS 20 - G 3/8-B	
	G 1/2	10,5	27	SRS 20 - G 1/2-B	Port Connection Type D
	R 1/4 taper	13	17	SRS 20 - R 1/4 K-D	

# Product range



### STAUFF CLAMPS:

Clamping systems for tubes, hoses, pipes, cables and components

#### Original STAUFF Clamps:

The tube fastening system in accordance with DIN 3015

Dimensional range from 6 to 800 mm

Different materials available

#### U-Bolt and DIN clamps

#### Angle Adjustment Clamps

#### Special clamps and supports:

Custom built solutions



### STAUFF TEST:

Pressure test systems

Venting and sampling of liquid and gas pressure systems

nominal working pressure: 630 bar maximum

100% closeness control

components tested in accordance with DIN 40.080

#### Test couplings and accessories:

Adaption threads M16x2 - M16x1,5 -

S12,65x1,5- Plug-in system

#### Test hoses:

DN 2 and DN 4; hose length and fittings on request

### MINITESTER PPC-04:

Digital measuring device for:

Working pressure

Differential pressure

Temperature

Flow

RPH

Data output via

PC or printer



### STAUFF FILTERS:

Hydraulic filtration systems

#### High pressure filters for in-line mounting:

maximum working pressure: 630 bar

#### Return line tank top filters:

maximum working pressure: 16 bar

#### Replacement filter elements:

Compatible quality and dimensional interchange to suit most filter makes produced in own facilities

Filter materials: Glass fibre, Metal fibre, Polyester fibre, Wire mesh, Paper



### STAUFF HYDRAULIC ACCESSORIES:

Components for the construction of tanks and power units and mobile hydraulics

Level gauges

Filler breathers

Check valves

Diffusers

Spin-On - Filters

Return line bushes

Gauge isolator valves

Level temperature switches

Throttle and shut-off valves

Desiccant air breathers

Suction strainers

Stainless steel pressure gauges

Flow indicators

Air filters



### STAUFF BALL VALVES:

Ball valves for flow control in steel, stainless steel,

alloy and other materials.