



ATLANTIC
Fluid Tech



OIL SOLUTIONS

PO Box 38
Strathfieldsaye, VIC, 3551
1800 OIL SOL
1800 645 765

sales@oilsolutions.com.au

www.oilsolutions.com.au

"For All Your Hydraulic Needs"

**SECTION
11**

Shuttle and
Logic
Elements

SECTION 11

SHUTTLE AND LOGIC ELEMENTS



Hydraulic scheme	Valve description	Valve type	Rated flow (l/min)	Max. pressure (bar)	Installation	Main port size or cavity type	Page
	CDSN-005-SSNS	Shuttle	5	350	Insert	VP000018	11.01.010
	CDSN-030-SSNS	Shuttle	30	350	Insert	VP000079	11.01.020
	MDSN-050-SSNR	Shuttle	50	350	In line	G 1/4"	11.01.030
	CDML-040-LBVD	Direct acting, manually operated	40	350	Cartridge	VP000338	11.02.040
	CDLN-040-CCTC	Direct acting, spool type	40	350	Cartridge	SAE-10-3N	11.03.050
	CDLN-040-CCTE	Direct acting, spool type	40	350	Cartridge	SAE-10-3N	11.04.060
	CDLN-040-CCVC	Direct acting, spool type	40	350	Cartridge	SAE-10-3N	11.05.070
	CDLN-040-CCVE	Direct acting, spool type	40	350	Cartridge	SAE-10-3N	11.06.080
	CDLC-150-CCTB	Direct acting, spool type	150	350	Cartridge	SAE-12-4N	11.07.090
	CDLN-040-CDTK	Direct acting, spool type	40	350	Cartridge	SAE-10-4N	11.08.100
	CDLN-040-CDTH	Direct acting, spool type	40	350	Cartridge	SAE-10-4N	11.09.110
	CDLN-040-CDPB	Direct acting, spool type	40	350	Cartridge	SAE-10-4N	11.10.120
	CDLN-120-CDPB	Direct acting, spool type	120	350	Cartridge	SAE-12-4N	11.10.130
	CDLN-100-SCPC	Normally closed, spool type	100	350	Cartridge	VP000198	11.11.140
	CDLN-100-SCPC	Normally closed, spool type, adjustable setting	100	350	Cartridge	VP000198	11.11.150
	CDLN-160-SCTC	Normally closed, spool type	160	350	Cartridge	VP000065	11.11.160
	CDLN-300-SCTC	Normally closed, spool type	300	350	Cartridge	VP000058	11.11.170
	CDLN-500-SCTC	Normally closed, spool type	500	350	Cartridge	VP000178	11.11.180

SECTION 11



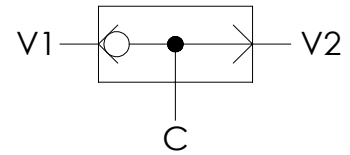
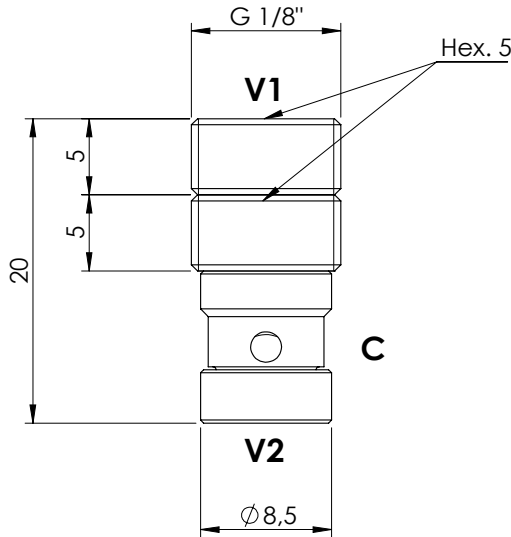
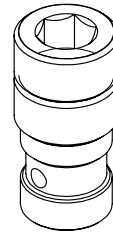
SHUTTLE AND LOGIC ELEMENTS

Hydraulic scheme	Valve description	Valve type	Rated flow (l/min)	Max. pressure (bar)	Installation	Main port size or cavity type	Page
	CDLN-100-SCPD	Normally closed, spool type with internal orifice	100	350	Cartridge	VP000198	11.12.190
	CDLN-160-SCTD	Normally closed, spool type with internal orifice	160	350	Cartridge	VP000065	11.12.200
	CDLN-300-SCTD	Normally closed, spool type with internal orifice	300	350	Cartridge	VP000058	11.12.210
	CDLN-500-SCTD	Normally closed, spool type with internal orifice	500	350	Cartridge	VP000178	11.12.220
	CDLN-500-PCPS	Normally closed, poppet type, externally piloted	500	350	Cartridge	VP000189	11.13.230
	CDLN-060-SCPR	Normally open, spool type	60	350	Cartridge	VP000198	11.14.240
	CDLN-100-SBPE	Normally open, spool type	100	350	Cartridge	VP000330	11.15.250
	CDLN-200-SBPE	Normally open, spool type	200	350	Cartridge	VP000204	11.15.260
	CDLN-380-SBPE	Normally open, spool type	380	350	Cartridge	VP000330	11.15.270
	CDLN-160-SCTS	Normally closed, spool type, kick down type	160	350	Cartridge	VP000065	11.16.280

SHUTTLE VALVE

CDSN-005-SSNS

INSERT TYPE

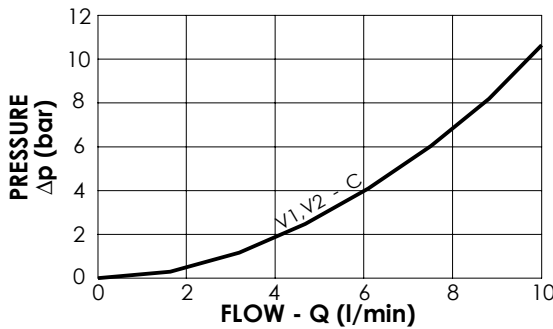


SPECIFICATIONS

Max. operating pressure:	350 bar
Rated flow:	5 l/min
Cavity:	VP000018
Weight:	0,01 kg

NOTES

Installation torque:	12-15 Nm
----------------------	----------



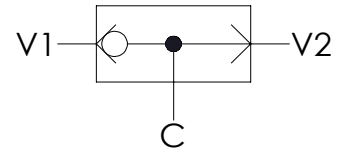
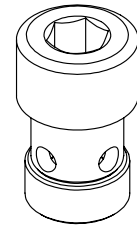
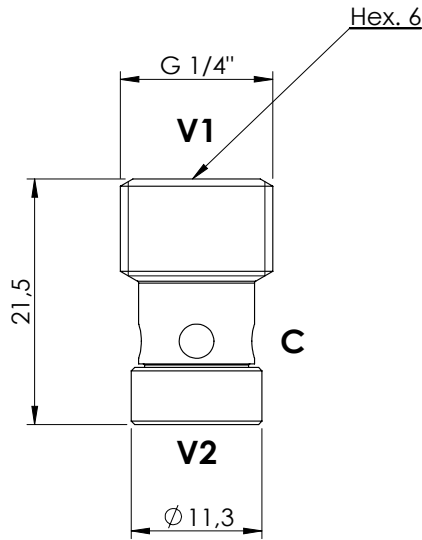
ORDERING CODES

Quick code	Description
CD000001	CDSN-005-SSNS-FN-018-N000

SHUTTLE VALVE

CDSN-030-SSNS

INSERT TYPE

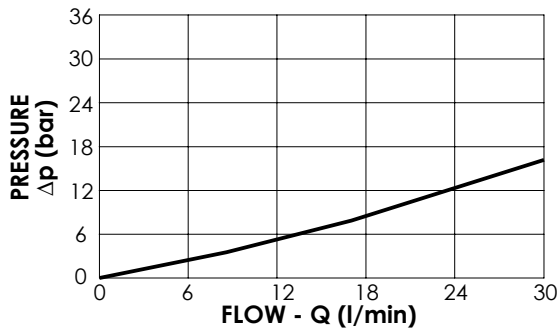


SPECIFICATIONS

Max. operating pressure:	350 bar
Rated flow:	30 l/min
Cavity:	VP000079
Weight:	0,01 kg

NOTES

Installation torque:	14 - 16 Nm
----------------------	------------



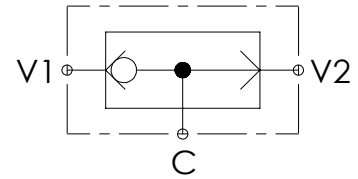
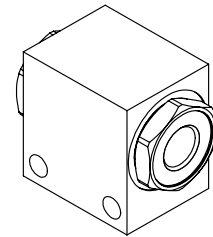
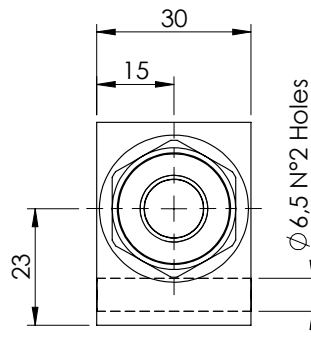
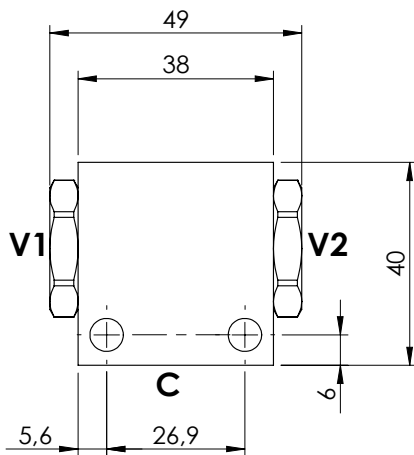
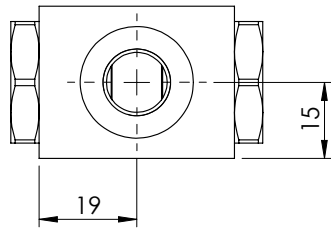
ORDERING CODES

Quick code	Description
CD000045	CDSN-030-SSNS-FN-079-N000

SHUTTLE VALVE

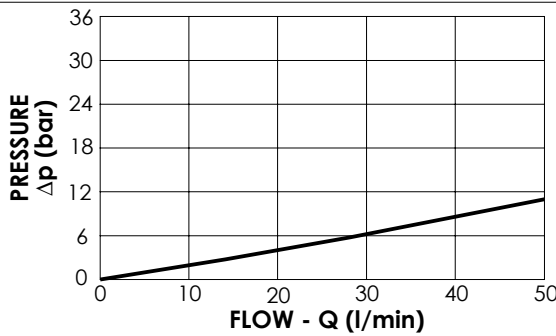
MDSN-050-SSNR

IN LINE TYPE



SPECIFICATIONS

Max. operating pressure:	350 bar
Rated flow:	50 l/min
Manifold:	Aluminium
Weight:	0,16 kg



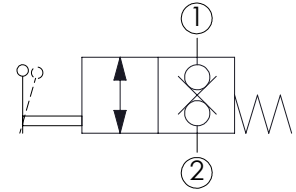
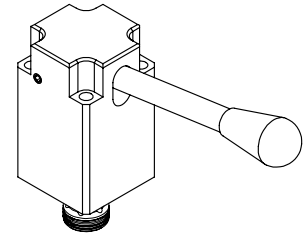
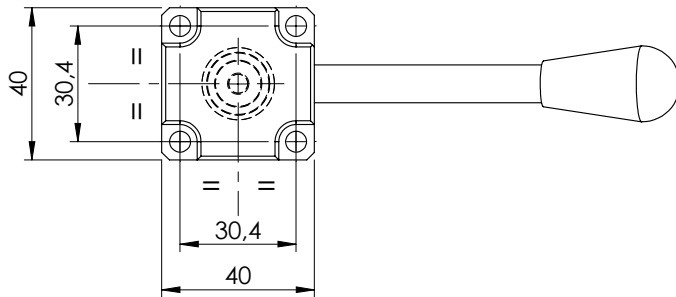
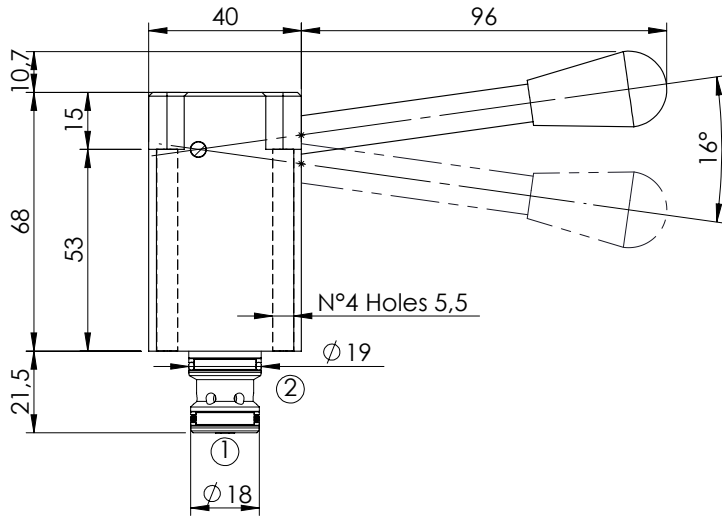
ORDERING CODES

Quick code	Description	Main ports size	
MD000001	MDSN-050-SSNR-NP-G14-N350	G 1/4"	

CARTRIDGE SEAT VALVE

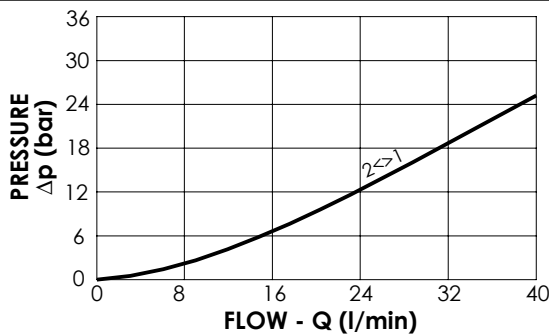
CDML-040-LBVD

**BIDIRECTIONAL SEAT-VALVE SHUT-OFF
DIRECT ACTING
MANUALLY OPERATED**



SPECIFICATIONS

Max. operating pressure:	350 bar
Rated flow:	40 l/min
Manifold:	Steel
Weight:	0,8 kg
Seal kit:	RD700338



NOTES

To be mounted with M5 x 60 bolt
Installation torque: 5 Nm

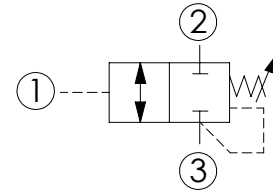
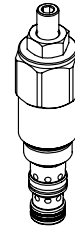
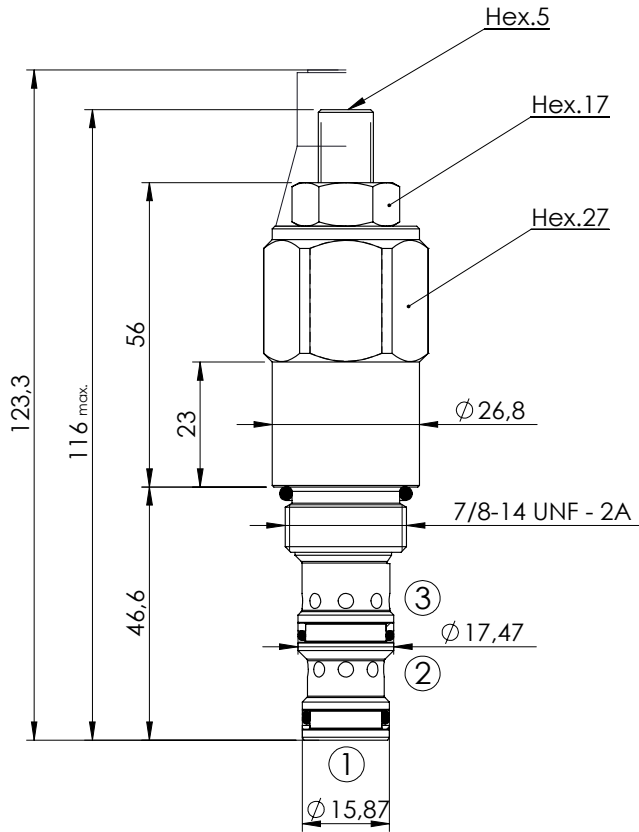
ORDERING CODES

Quick code	Description	Cavity	
CD000234	CDML-040-LBVD-00-338-N350	VP000338	

LOGIC ELEMENT

CDLN-040-CCTC

**DIRECT ACTING
SPOOL TYPE**



SPECIFICATIONS

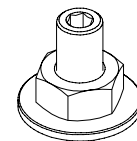
Max. operating pressure:	350 bar
Rated flow:	40 l/min
Cavity:	SAE-10-3N
Weight:	0,29 kg
Installation torque:	55 - 62 Nm
Seal kit:	RB700092

SEALING CAP

Ordering code:
AT000022

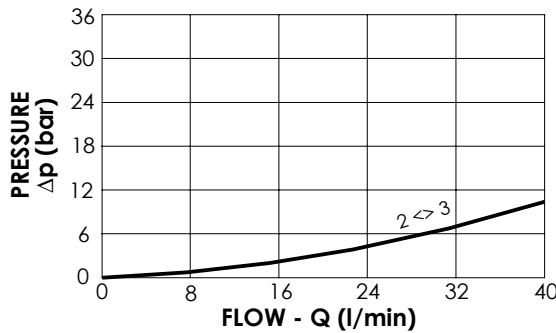


OPTIONS



**Adjustment
with Screw**

Pressure in port 3 is additive to setting 1:1. For back pressure compensated valve consult CDLN-040-CCVC data sheet. No O-ring on 1



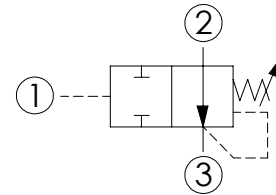
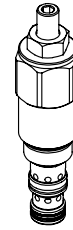
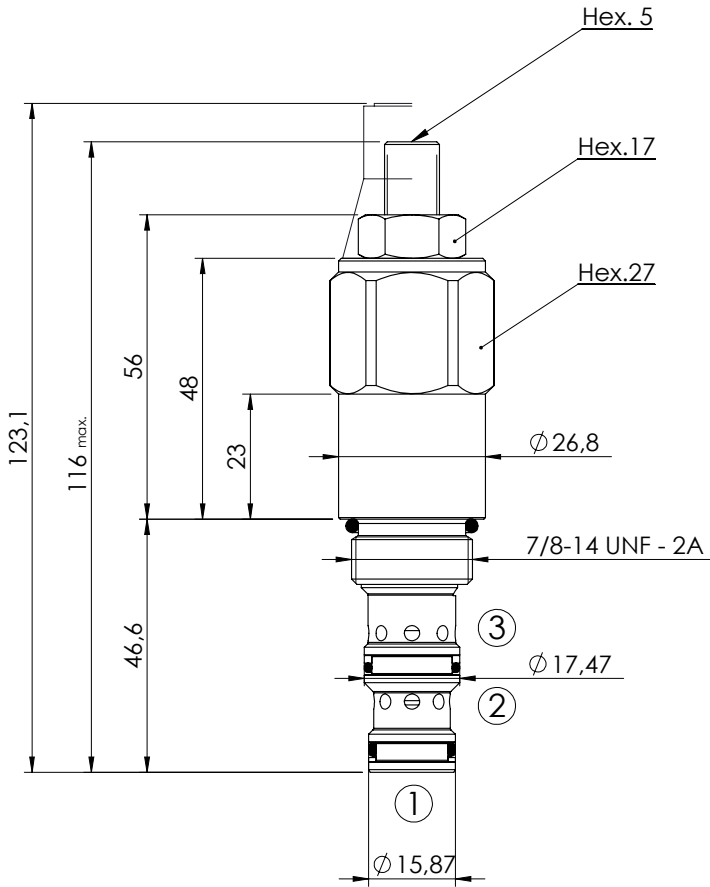
ORDERING CODES

Quick code	Description	Standard setting (bar, Q=5 l/min)	Adjust. range (bar)	Pressure increase (bar/turn)	Options
CD000121	CDLN-040-CCTC-S10-N060	30	10-60	11	Adjustment with Screw

LOGIC ELEMENT

CDLN-040-CCTE

DIRECT ACTING
SPOOL TYPE

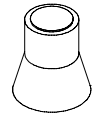


SPECIFICATIONS

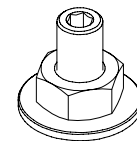
Max. operating pressure:	350 bar
Rated flow:	40 l/min
Cavity:	SAE-10-3N
Weight:	0,29 kg
Installation torque:	55 - 62 Nm
Seal kit:	RB700092

SEALING CAP

Ordering code:
AT000022

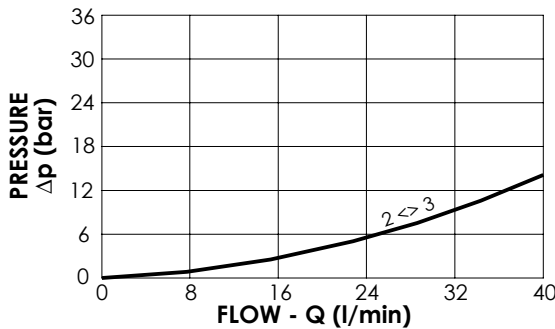


OPTIONS



Adjustment
with Screw

Pressure in port 3 is additive to setting 1:1. For back pressure compensated valve consult CDLN-040-CCVE data sheet. No O-ring on 1

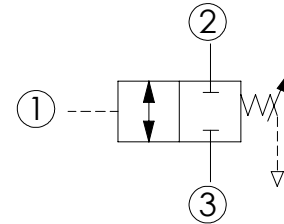
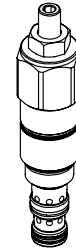
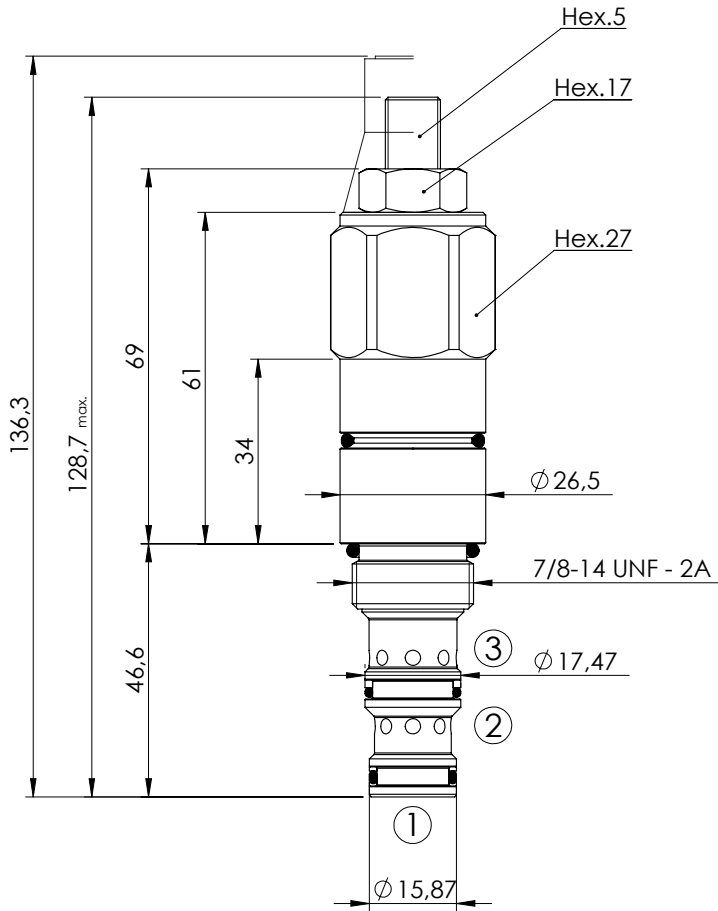


ORDERING CODES

Quick code	Description	Standard setting (bar, Q=5 l/min)	Adjust. range (bar)	Pressure increase (bar/turn)	Options
CD000123	CDLN-040-CCTE-HN-S10-N060	30	10-60	11	Adjustment with Screw

LOGIC ELEMENT

CDLN-040-CCVC SPOOL TYPE - VENTED EXTERNAL PILOT

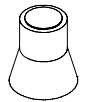


SPECIFICATIONS

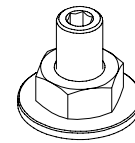
Max. operating pressure:	350 bar
Rated flow:	40 l/min
Cavity:	SAE-10-3N
Weight:	0,33 kg
Installation torque:	60 - 75 Nm
Seal kit:	RB700092

SEALING CAP

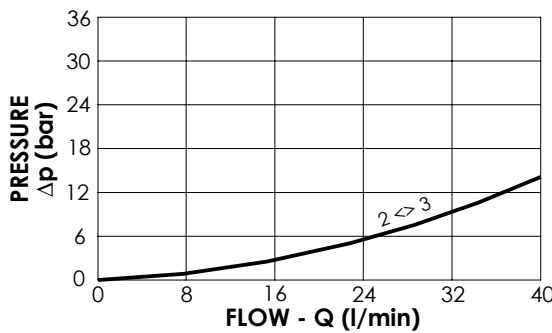
Ordering code:
AT000022



OPTIONS



Adjustment with Screw



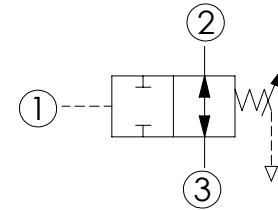
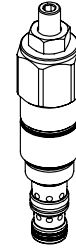
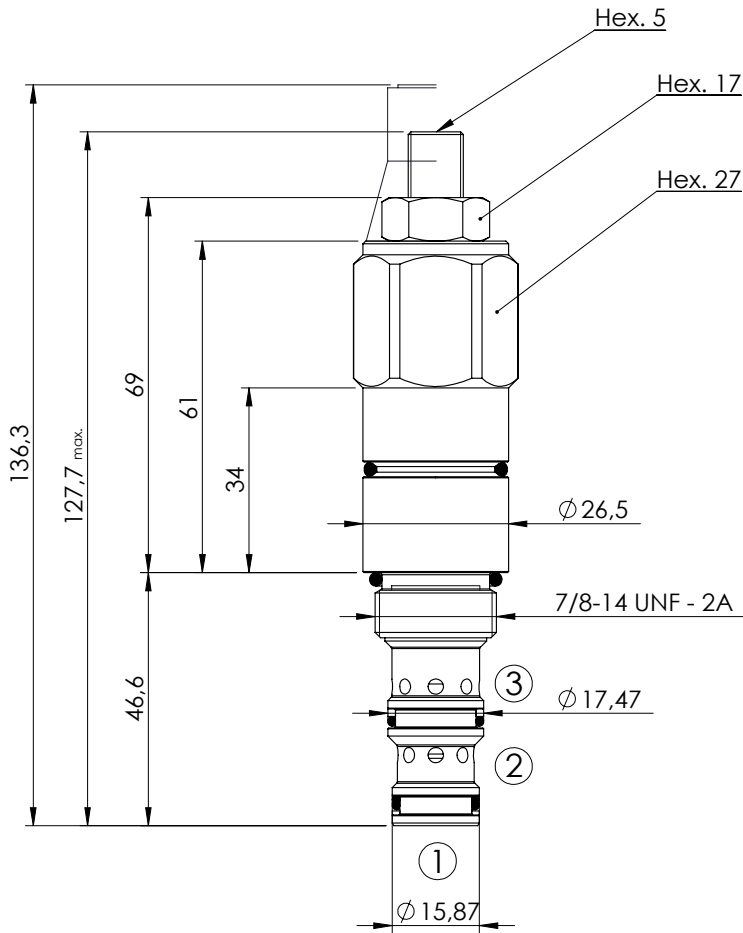
ORDERING CODES

Quick code	Description	Standard setting (bar, Q=5 l/min)	Adjust. range (bar)	Pressure increase (bar/turn)	Options
CD000119	CDLN-040-CCVC-HN-S10-N180	120	20-180	22	Adjustment with Screw
CD000120	CDLN-040-CCVC-HN-S10-N100	50	10-100	10	Adjustment with Screw

LOGIC ELEMENT

CDLN-040-CCVE

SPOOL TYPE - VENTED
EXTERNAL PILOT

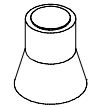


SPECIFICATIONS

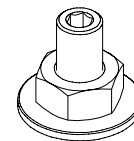
Max. operating pressure:	350 bar
Rated flow:	40 l/min
Cavity:	SAE-10-3N
Weight:	0,33 kg
Installation torque:	55 - 62 Nm
Seal kit:	RB700092

SEALING CAP

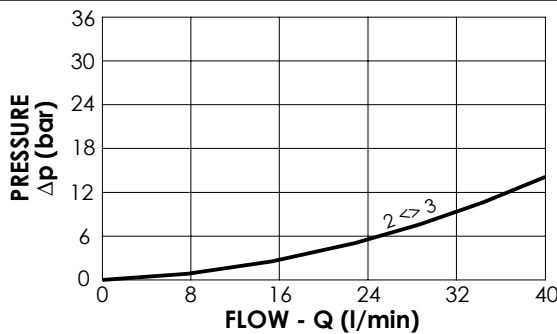
Ordering code:
AT000021



OPTIONS



Adjustment
with Screw



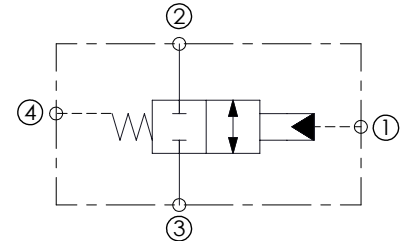
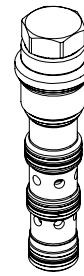
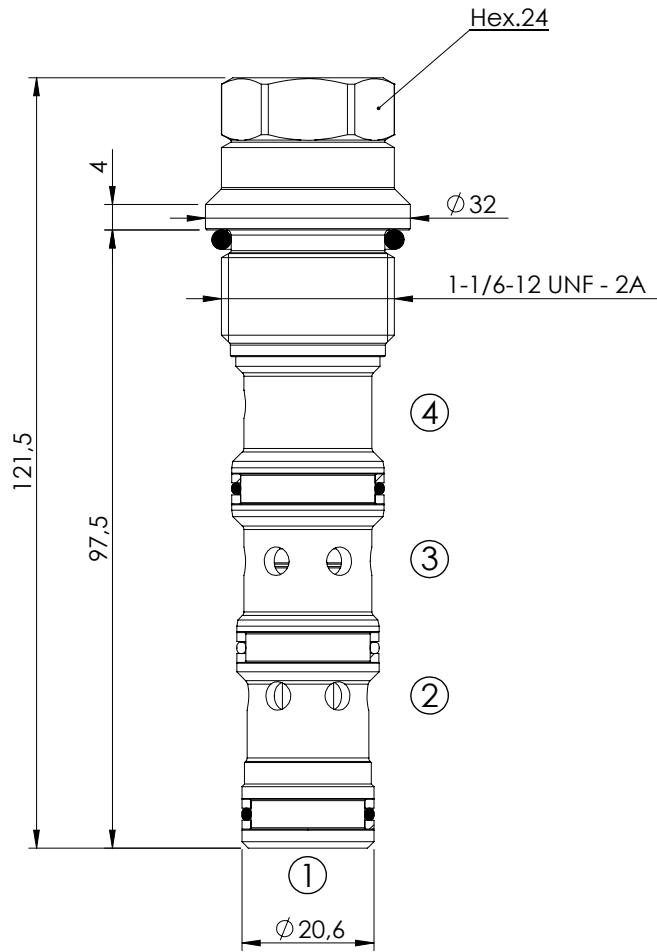
ORDERING CODES

Quick code	Description	Standard setting (bar, Q=5 l/min)	Adjust. range (bar)	Pressure increase (bar/turn)	Options
CD000122	CDLN-040-CCVE-HN-S10-N180	120	20-180	22	Adjustment with Screw
CD000214	CDLN-040-CCVE-HN-S10-N100	50	10-100	10	Adjustment with Screw

LOGIC ELEMENTS

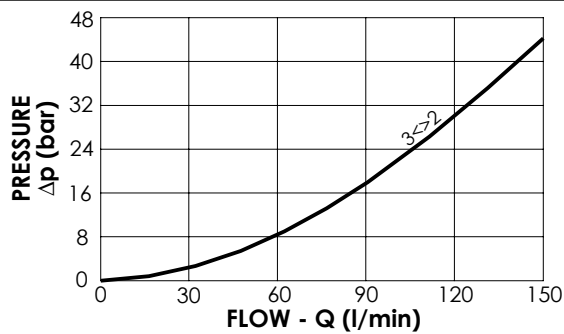
CDLC-150-CCTB

**DIRECT ACTING
SPOOL TYPE**



SPECIFICATIONS

Max. operating pressure:	450 bar
Rated flow:	150 l/min
Cavity:	SAE-12-4N
Weight:	0,33 kg



NOTES

Installation torque:	110 - 120 Nm
Seal kit:	RB700103

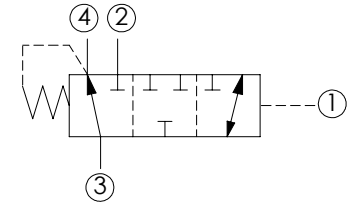
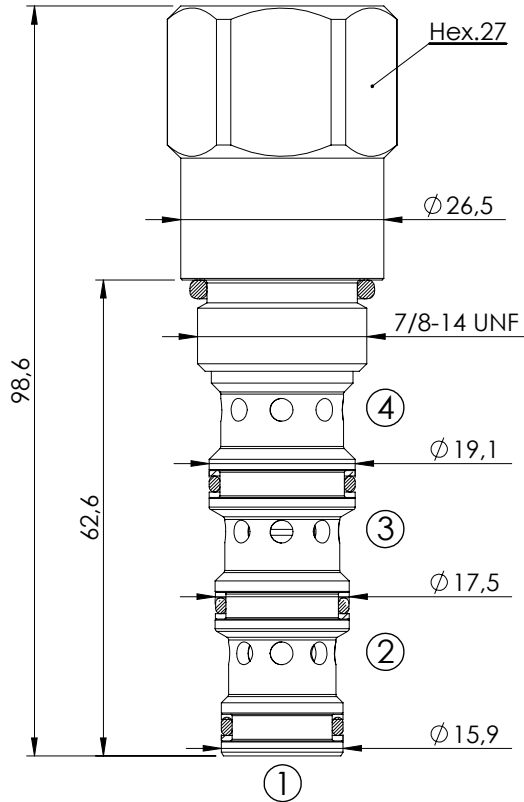
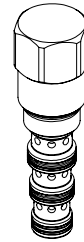
ORDERING CODES

Quick code	Description	Cracking pressure (bar)	
CD000105	CDLC-150-CCTB-FN-S12-N007	7,5 (0/+2)	

LOGIC ELEMENT

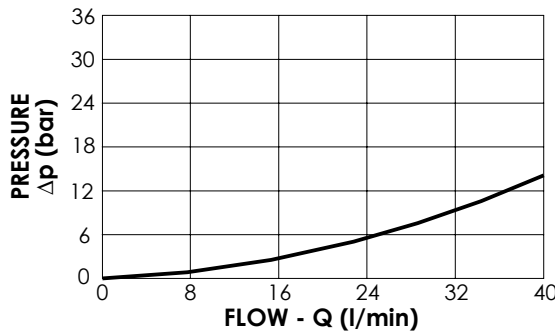
CDLN-040-CDTK

**DIRECT ACTING
SPOOL TYPE**



SPECIFICATIONS

Max. operating pressure:	350 bar
Rated flow:	40 l/min
Cavity:	SAE-10-4N
Weight:	0,23 kg
Internal leakage:	50 cc/min



NOTES

Installation torque:	55 - 62 Nm
Seal kit:	RB700102

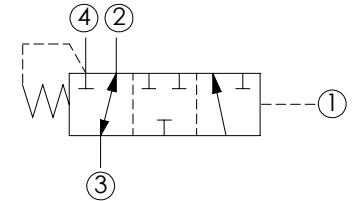
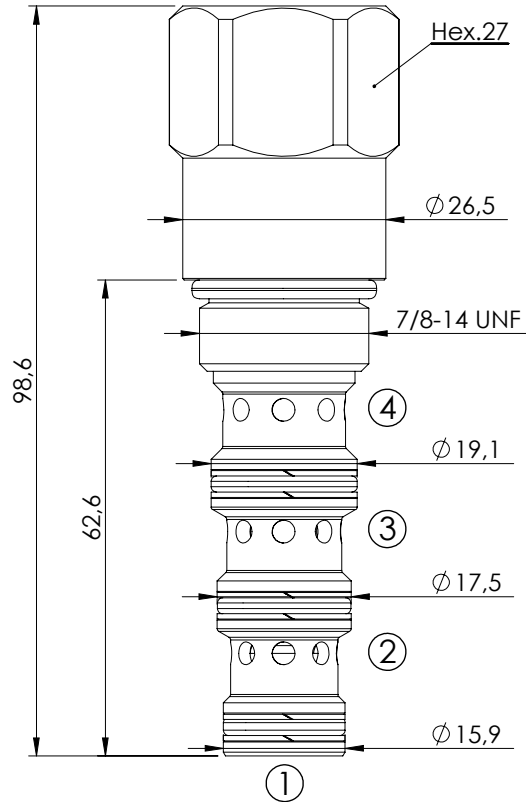
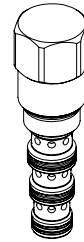
ORDERING CODES

Quick code	Description	Standard setting (bar, Q=5 l/min)	
CD000300	CDLN-040-CDTK-FN-S10-N003	3 (±1)	
CD000487	CDLN-040-CDTK-FN-S10-N005	5(±1)	
CD000260	CDLN-040-CDTK-FN-S10-N011	11(±1)	

LOGIC ELEMENT

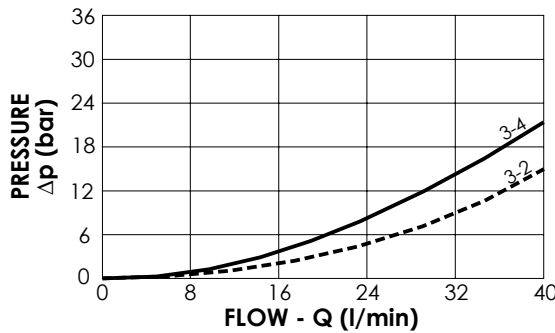
CDLN-040-CDTH

**DIRECT ACTING
SPOOL TYPE**



SPECIFICATIONS

Max. operating pressure:	350 bar
Rated flow:	40 l/min
Cavity:	SAE-10-4N
Weight:	0,23 kg
Internal leakage:	50 cc/min



NOTES

Installation torque:	55 - 62 Nm
Seal kit:	RB700102

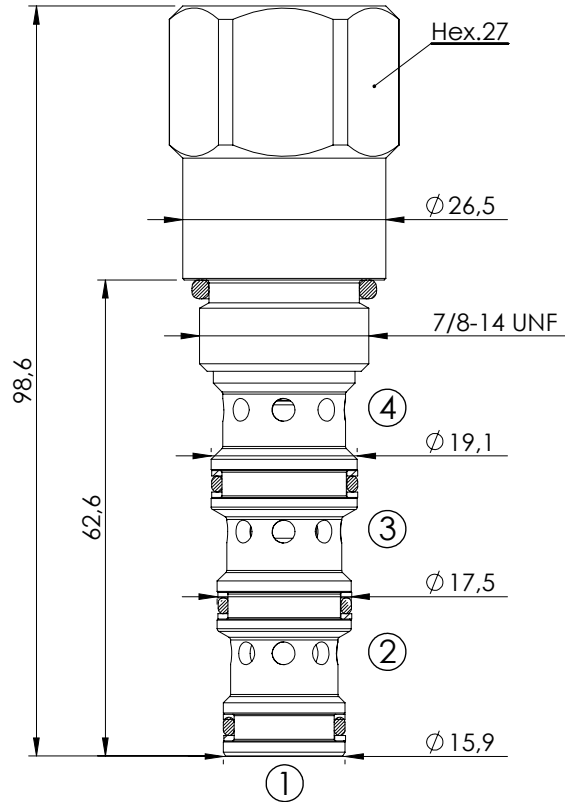
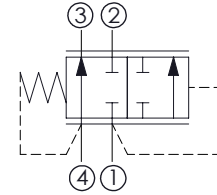
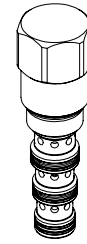
ORDERING CODES

Quick code	Description	Standard setting (bar, Q=5 l/min)	
CD000377	CDLN-040-CDTH-FN-S10-N003	3 (±1)	
CD000261	CDLN-040-CDTH-FN-S10-N011	11 (±1)	
CD000343	CDLN-040-CDTH-FH-S10-N015	15 (±1)	
CD000276	CDLN-040-CDTH-FH-S10-N030	30 (±1)	
CD000262	CDLN-040-CDTH-FH-S10-N050	50 (±1)	

LOGIC ELEMENT

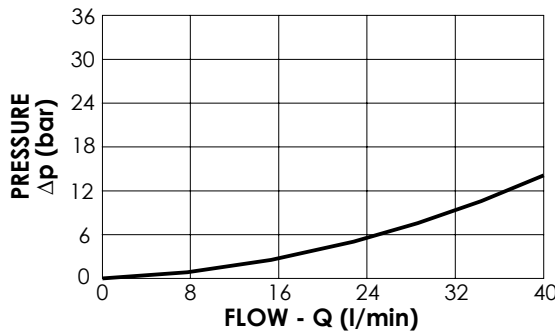
CDLN-040-CDPB

**DIRECT ACTING
SPOOL TYPE**



SPECIFICATIONS

Max. operating pressure:	350 bar
Rated flow:	40 l/min
Cavity:	SAE-10-4N
Weight:	0,23 kg
Internal leakage:	50 cc/min



NOTES

Installation torque:	55 - 62 Nm
Seal kit:	RB700102

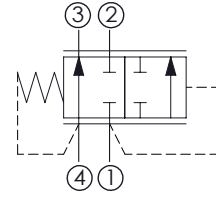
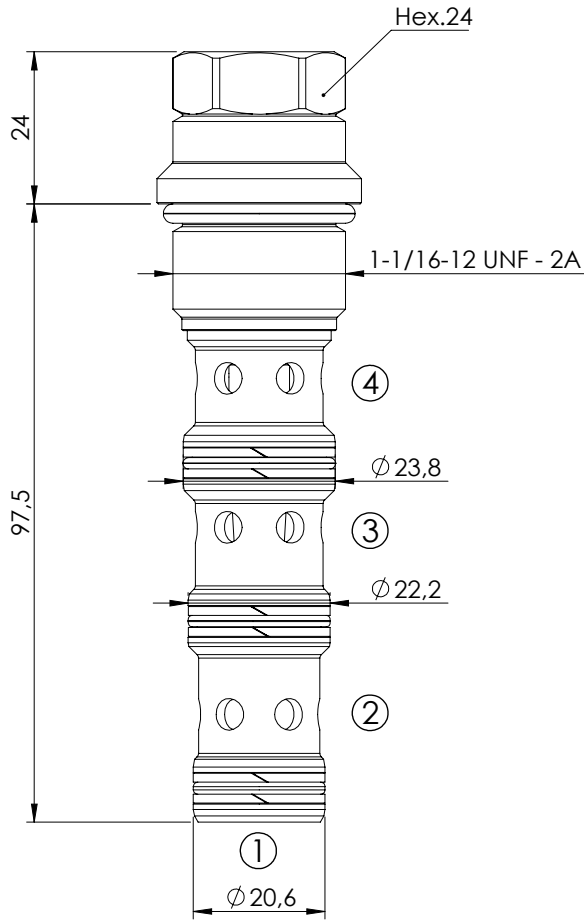
ORDERING CODES

Quick code	Description	Standard setting (bar, Q=5 l/min)	
CD000295	CDLN-040-CDPB-FH-S10-N005	5 (±0,5)	
CD000296	CDLN-040-CDPB-FH-S10-N011	11,5 (±0,5)	

LOGIC ELEMENTS

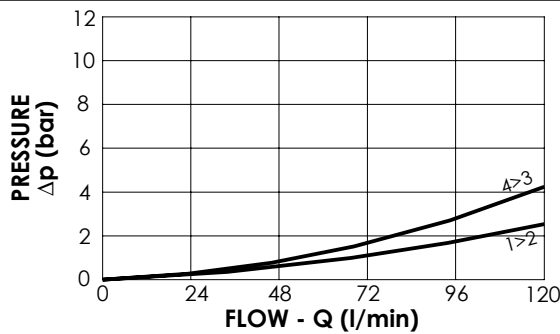
CDLN-120-CDPB

DIREC ACTING
SPOOL TYPE



SPECIFICATIONS

Max. operating pressure:	350 bar
Rated flow:	120 l/min
Cavity:	SAE-12-4N
Weight:	0,31 kg



NOTES

Installation torque:	110 - 120 Nm
Seal kit:	RB700103

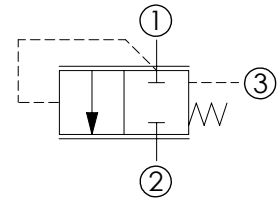
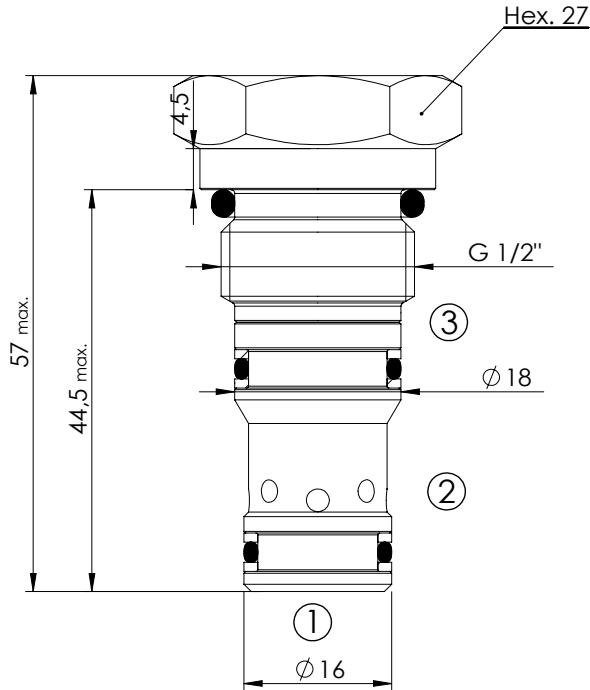
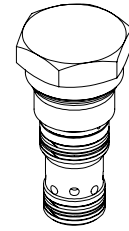
ORDERING CODES

Quick code	Description	Cracking pressure (bar)	
CD000336	CDLN-120-CDPB-FH-S12-N010	10	

LOGIC ELEMENT

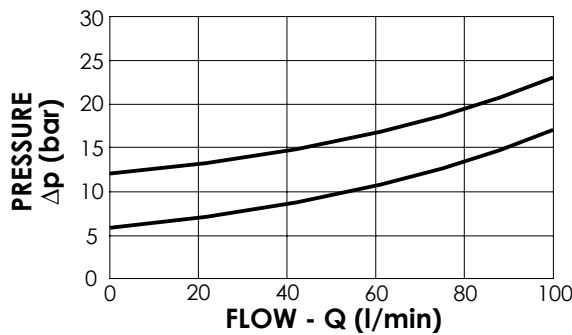
CDLN-100-SCPC

NORMALLY CLOSED
SPOOL TYPE



SPECIFICATIONS

Max. operating pressure:	350 bar
Rated flow:	100 l/min
Cavity:	VP000198
Weight:	0,12 kg
Spool:	Ø10 mm



NOTES

Installation torque:	75 - 85 Nm
Seal kit:	RD700198
Parts in body compensator	

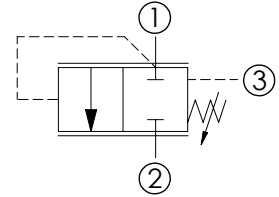
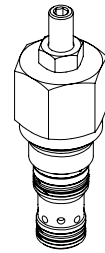
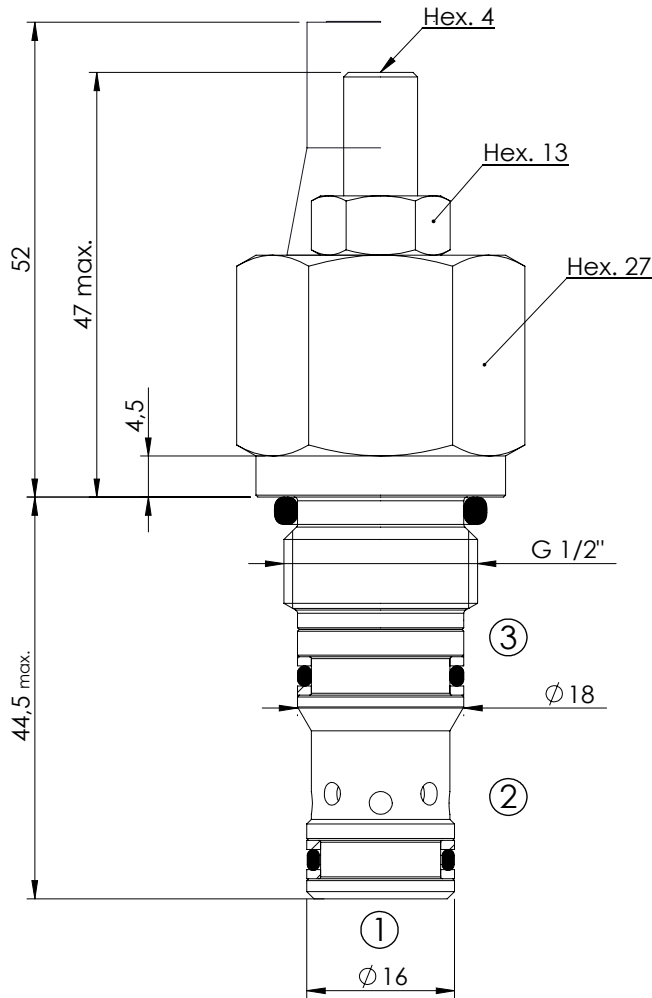
ORDERING CODES

Quick code	Description	Cracking pressure (bar)
CD000073	CDLN-100-SCPC-14-198-N006	6
CD000103	CDLN-100-SCPC-14-198-N012	12

LOGIC ELEMENT

CDLN-100-SCPC

**NORMALLY CLOSED
SPOOL TYPE
ADJUSTABLE SETTING**

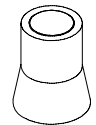


SPECIFICATIONS

Max. operating pressure:	350 bar
Rated flow:	100 l/min
Cavity:	VP000198
Weight:	0,2 kg
Spool:	Ø10 mm

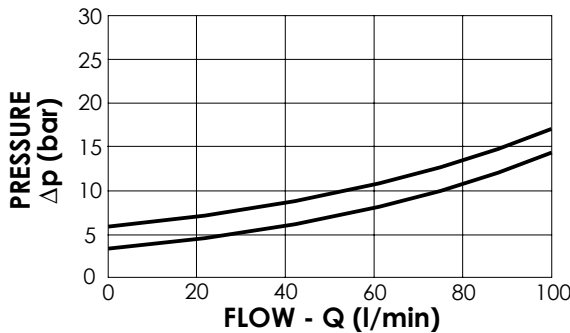
SEALING CAP

Ordering code:
AT000020



NOTES

Installation torque:	75 - 85 Nm
Seal kit:	RD700198
Parts in body compensator	



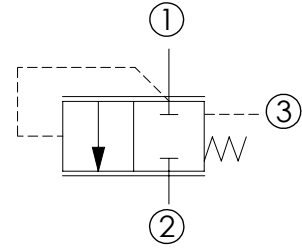
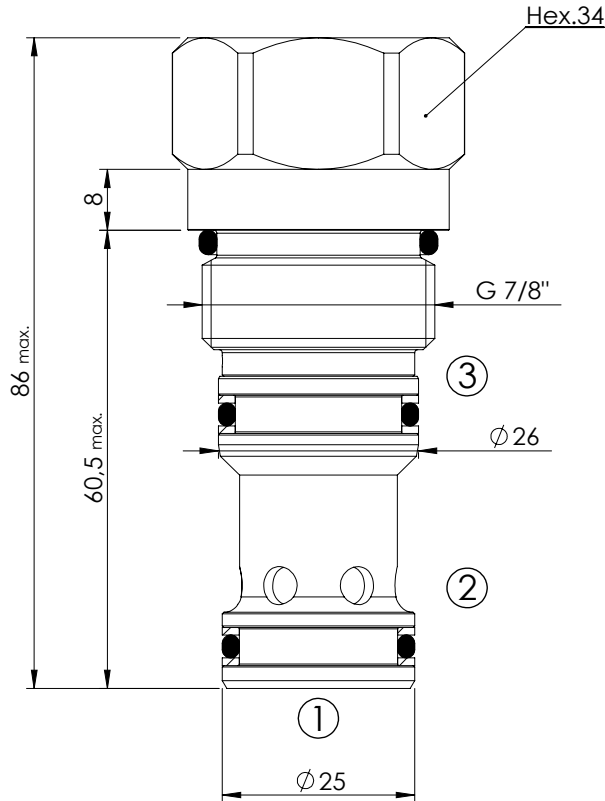
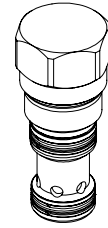
ORDERING CODES

Quick code	Description	Setting range (bar)	
CD000358	CDLN-100-SCPC-01-198-H020	10 - 20	

LOGIC ELEMENT

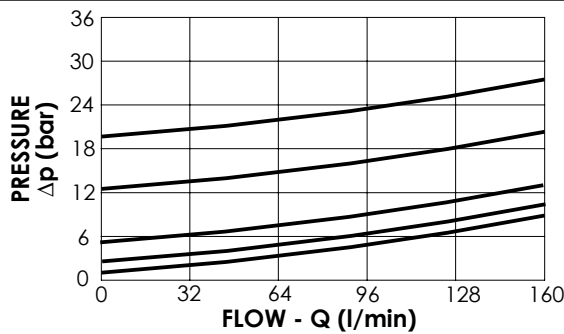
CDLN-160-SCTC

**NORMALLY CLOSED
SPOOL TYPE**



SPECIFICATIONS

Max. operating pressure:	350 bar
Rated flow:	160 l/min
Cavity:	VP000065
Weight:	0,33 kg
Spool:	Ø16 mm



NOTES

Installation torque:	135-145 Nm
Seal kit:	RD900065
Parts in body compensator	

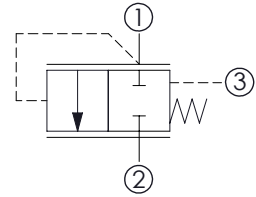
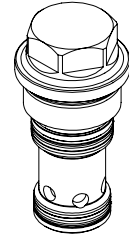
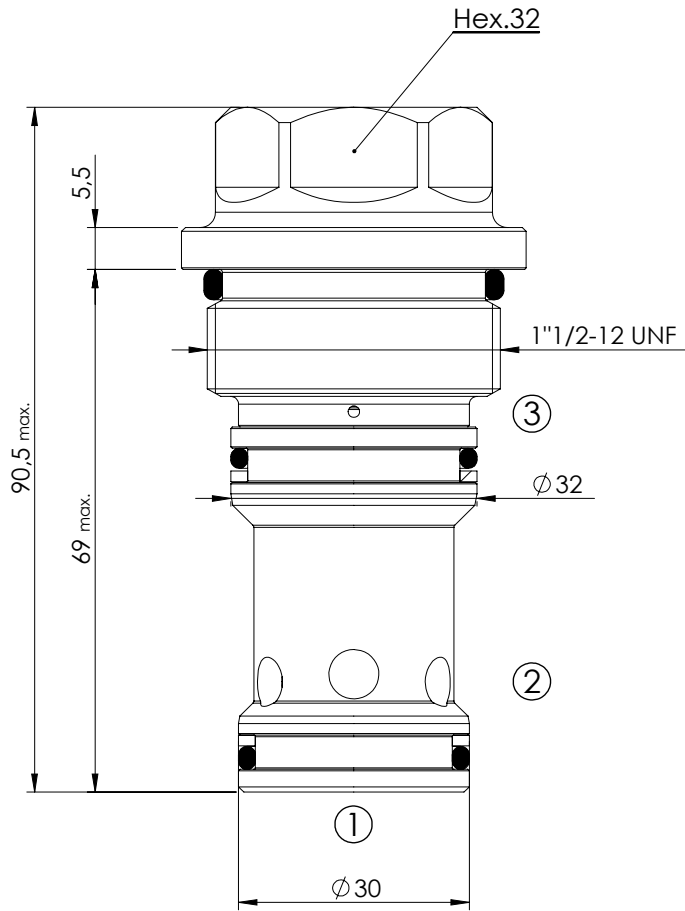
ORDERING CODES

Quick code	Description	Cracking pressure (bar)	
CD000158	CDLN-160-SCTC-14-065-N000	0,4	
CD000076	CDLN-160-SCTC-14-065-N002	2	
CD000051	CDLN-160-SCTC-14-065-N005	5,5	
CD000147	CDLN-160-SCTC-14-065-N012	12,5	
CD000248	CDLN-160-SCTC-14-065-N020	20,5	

LOGIC ELEMENT

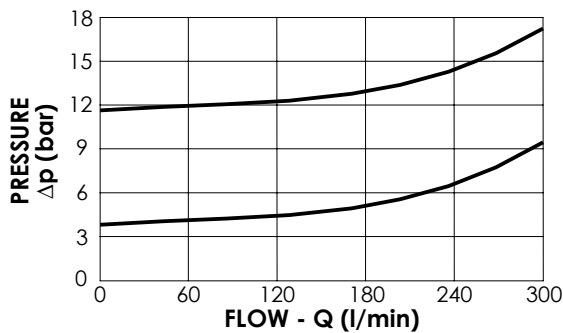
CDLN-300-SCTC

**NORMALLY CLOSED
SPOOL TYPE**



SPECIFICATIONS

Max. operating pressure:	350 bar
Rated flow:	300 l/min
Cavity:	VP000058
Weight:	0,57 kg
Spool:	$\phi 19$ mm



NOTES

Installation torque:	280-300 Nm
Seal kit:	RC700058
Parts in body compensator	

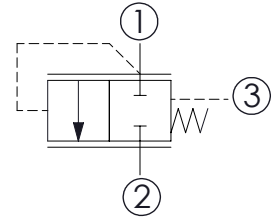
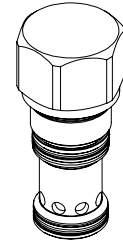
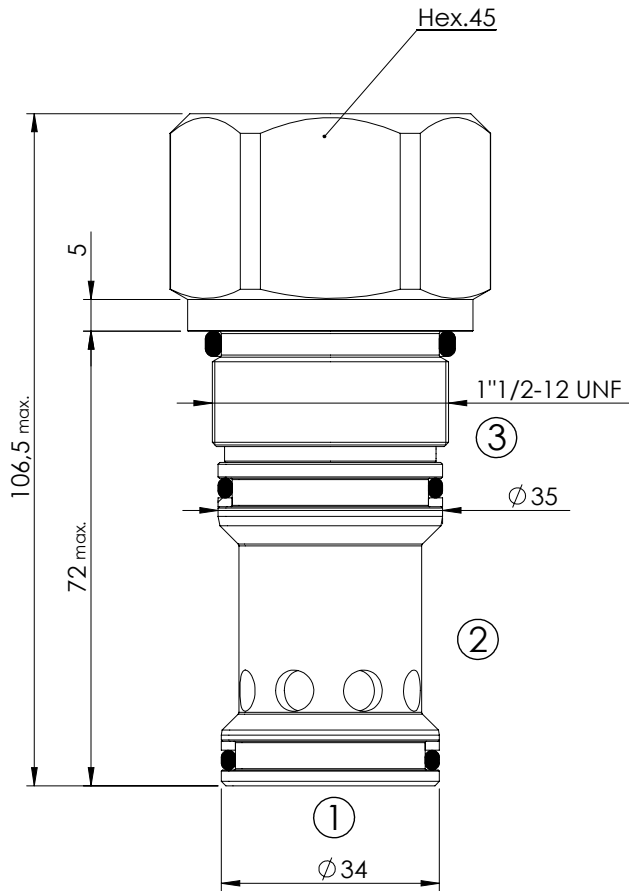
ORDERING CODES

Quick code	Description	Cracking pressure (bar)	
CD000096	CDLN-300-SCTC-14-058-N004	4	
CD000311	CDLN-300-SCTC-14-058-N012	11,5	

LOGIC ELEMENT

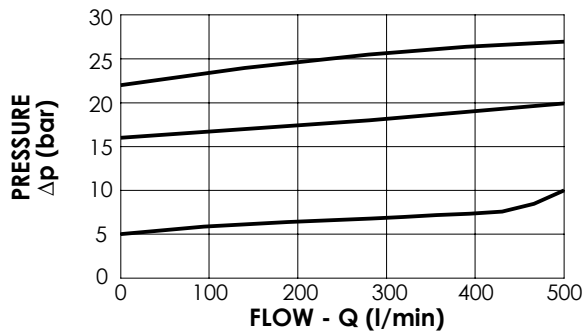
CDLN-500-SCTC

NORMALLY CLOSED
SPOOL TYPE



SPECIFICATIONS

Max. operating pressure:	350 bar
Rated flow:	500 l/min
Cavity:	VP000178
Weight:	0,75 kg
Spool:	Ø22 mm



NOTES

Installation torque:	280-300 Nm
Seal kit:	RC700178
Parts in body compensator	

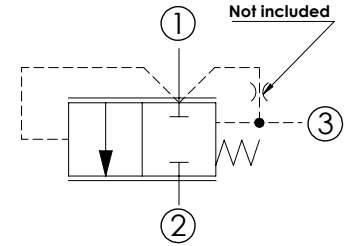
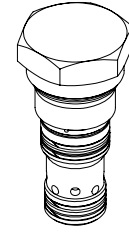
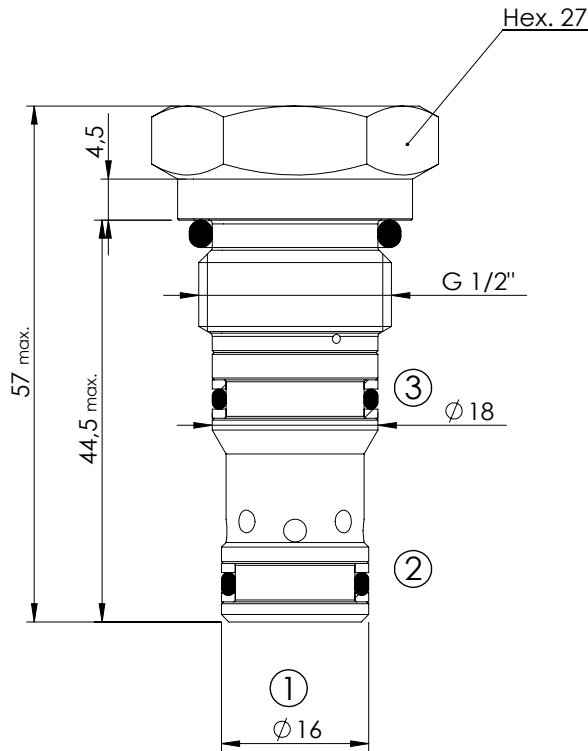
ORDERING CODES

Quick code	Description	Cracking pressure (bar)	
CD000053	CDLN-500-SCTC-14-178-N005	5	
CD000255	CDLN-500-SCTC-14-178-N017	17	
CD000308	CDLN-500-SCTC-14-178-N023	23	

LOGIC ELEMENT

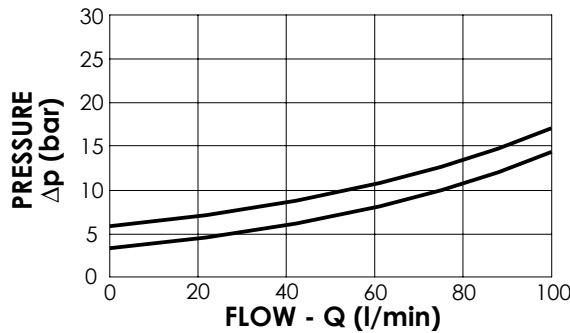
CDLN-100-SCPD

**NORMALLY CLOSED
SPOOL TYPE
WITH INTERNAL ORIFICE**



SPECIFICATIONS

Max. operating pressure:	350 bar
Rated flow:	100 l/min
Cavity:	VP000198
Weight:	0,11 kg
Spool:	$\phi 10$ mm
Internal orifice:	M5 thread



NOTES

Installation torque:	75 - 85 Nm
Seal kit:	RD700198
Parts in body compensator	

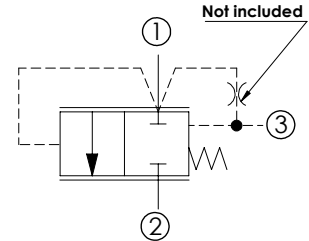
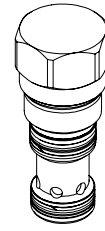
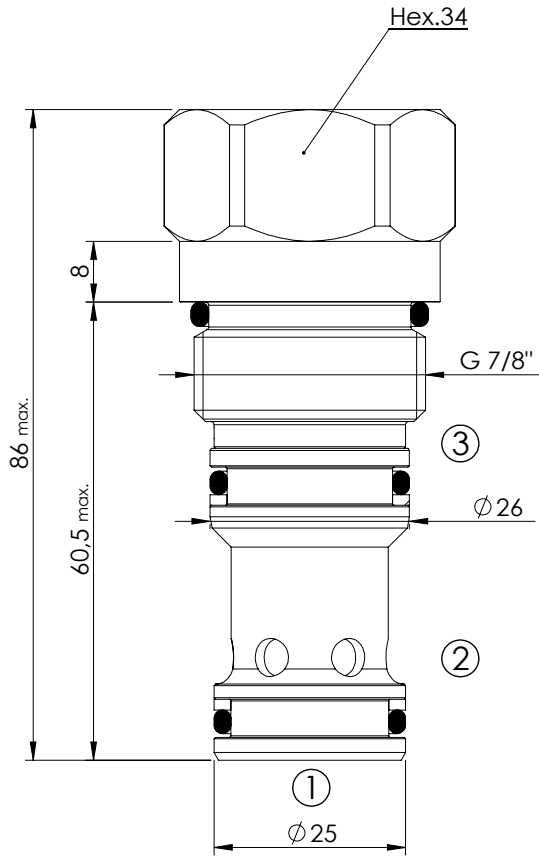
ORDERING CODES

Quick code	Description	Cracking pressure (bar)	
CD000216	CDLN-100-SCPD-13-198-N003	3	
CD000215	CDLN-100-SCPD-13-198-N006	6	
CD000220	CDLN-100-SCPD-13-198-N012	12	
CD000238	CDLN-100-SCPD-13-198-N016	16	

LOGIC ELEMENT

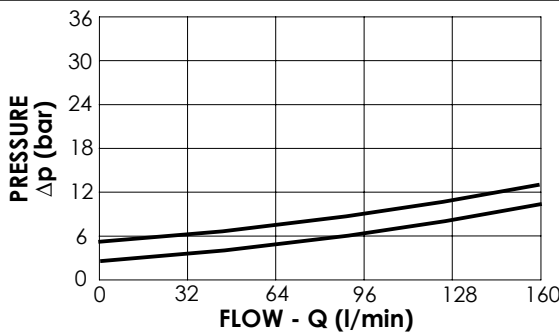
CDLN-160-SCTD

**NORMALLY CLOSED
SPOOL TYPE
INTERNAL ORIFICE**



SPECIFICATIONS

Max. operating pressure:	350 bar
Rated flow:	160 l/min
Cavity:	VP000065
Weight:	0,32 kg
Spool:	Ø16 mm
Internal orifice:	M6 thread



NOTES

Installation torque:	135-145 Nm
Seal kit:	RC900065
Parts in body compensator	

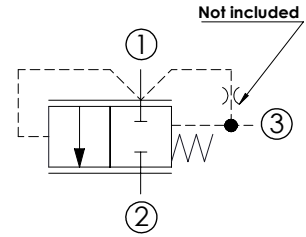
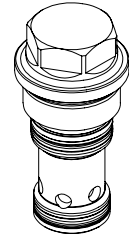
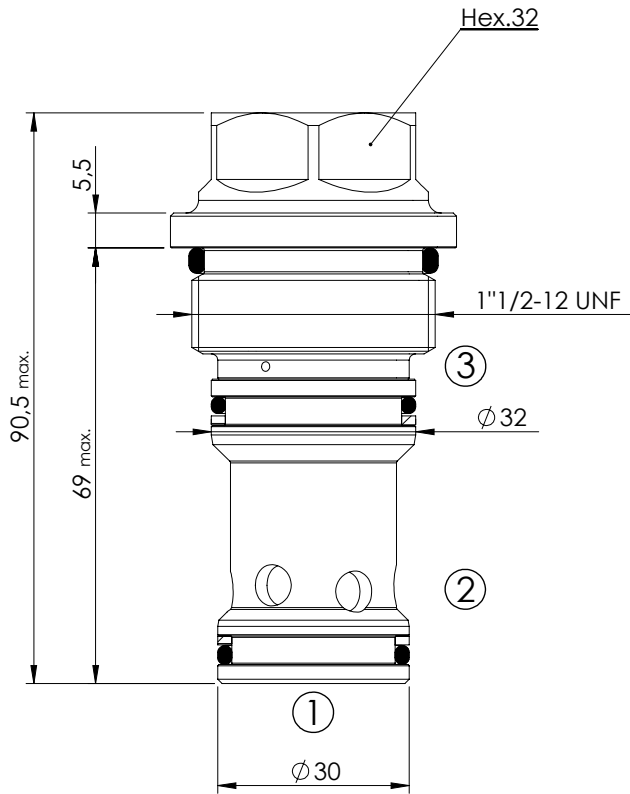
ORDERING CODES

Quick code	Description	Cracking pressure (bar)	
CD000081	CDLN-160-SCTD-13-065-N002	2	
CD000066	CDLN-160-SCTD-13-065-N006	6	
CD000003	CDLN-160-SCTD-13-065-N012	12	
CD000004	CDLN-160-SCTD-13-065-N016	16	

LOGIC ELEMENT

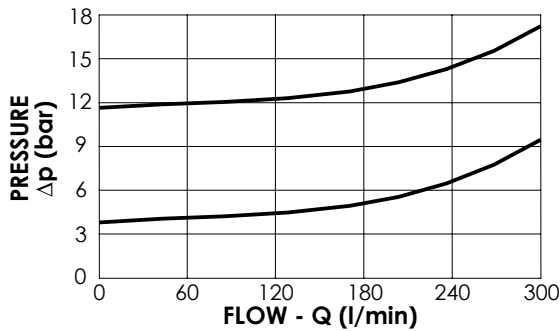
CDLN-300-SCTD

**NORMALLY CLOSED
SPOOL TYPE
INTERNAL RESTRICTOR**



SPECIFICATIONS

Max. operating pressure:	350 bar
Rated flow:	300 l/min
Cavity:	VP000058
Weight:	0,55 kg
Spool:	Ø19 mm
Internal orifice:	M6 thread



NOTES

Installation torque:	280-300 Nm
Seal kit:	RC700058
Parts in body compensator	

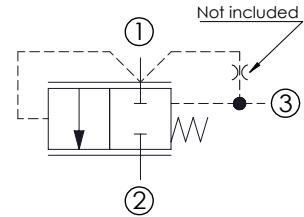
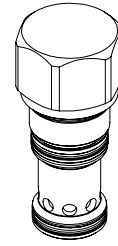
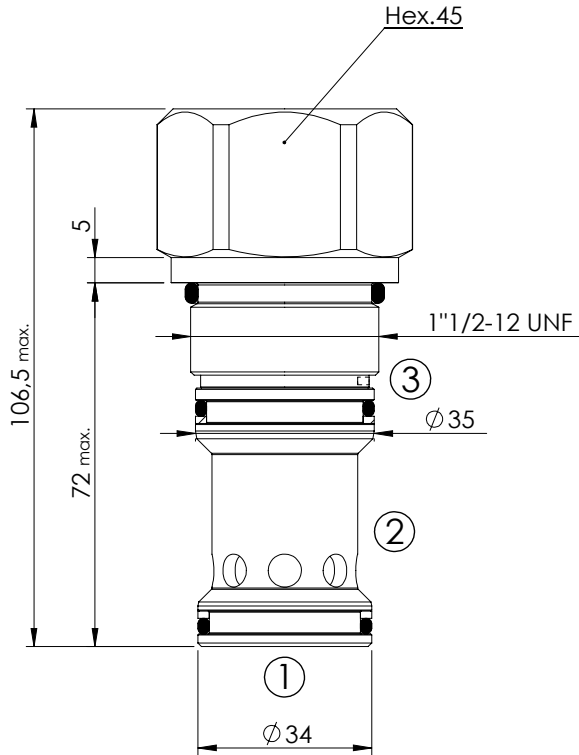
ORDERING CODES

Quick code	Description	Cracking pressure (bar)	
CD000095	CDLN-300-SCTD-13-058-N001	1,5	
CD000110	CDLN-300-SCTD-13-058-N004	4	

LOGIC ELEMENT

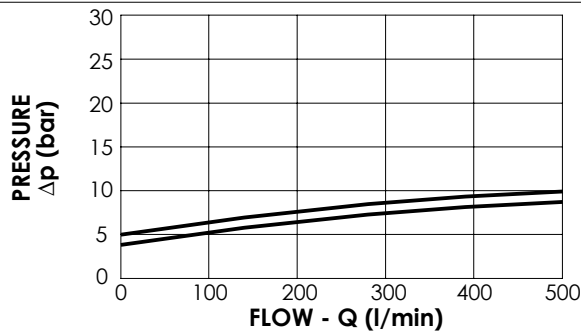
CDLN-500-SCTD

NORMALLY CLOSED
SPOOL TYPE
INTERNAL ORIFICE



SPECIFICATIONS

Max. operating pressure:	350 bar
Rated flow:	500 l/min
Cavity:	VP000178
Weight:	0,74 kg
Spool:	Ø22 mm
Internal orifice:	M6 thread



NOTES

Installation torque:	280 - 300 Nm
Seal kit:	RC700178
Parts in body compensator	

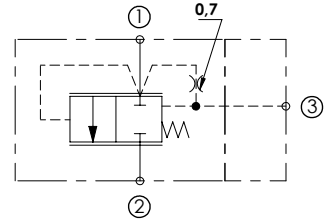
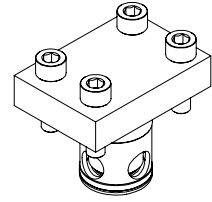
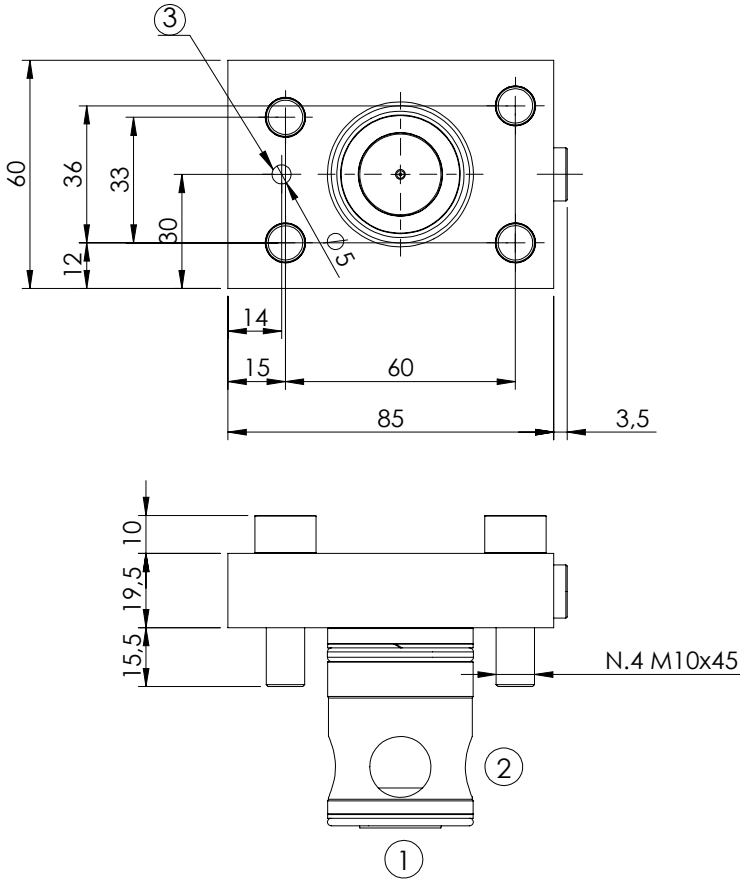
ORDERING CODES

Quick code	Description	Cracking pressure (bar)	
CD000067	CDLN-500-SCTD-13-178-N005	5	
CD000335	CDLN-500-SCTD-13-178-N004	4	

LOGIC ELEMENTS

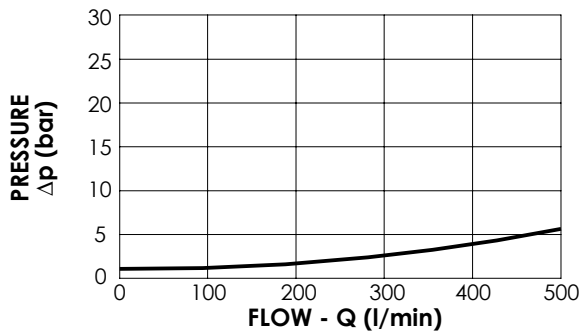
CDLN-500-PCPS

**NORMALLY CLOSED
POPPET TYPE
EXTERNALLY PILOTED**



SPECIFICATIONS

Max. operating pressure:	350 bar
Rated flow:	500 l/min
Cavity:	VP000189
Weight:	1,1 kg



NOTES

Seal kit: RC700189

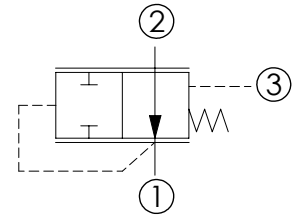
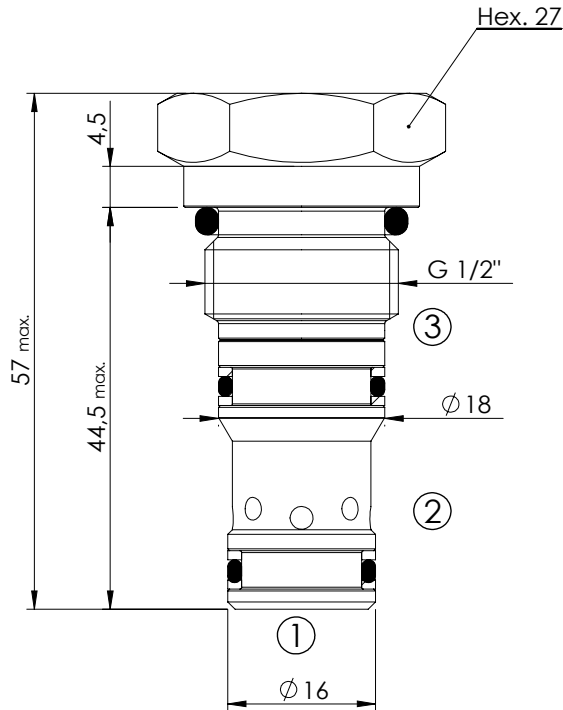
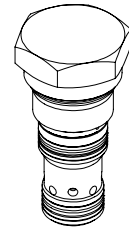
ORDERING CODES

Quick code	Description	Main ports size	Standard setting (bar, Q=1 l/min)	Configuration
CD000376	CDLN-500-PCPS-01-189-N350	T: G1/8"	1	Logic element + cover
SC000049	SCLN-500-PCPS-01-189-N350			Logic element

LOGIC ELEMENT

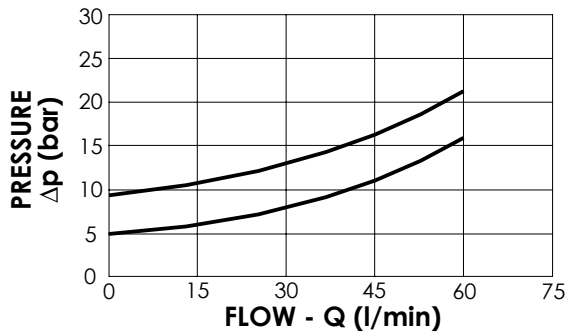
CDLN-060-SCPR

**NORMALLY OPEN
SPOOL TYPE**



SPECIFICATIONS

Max. operating pressure:	350 bar
Rated flow:	60 l/min
Cavity:	VP000198
Weight:	0,12 kg
Spool:	Ø10 mm



NOTES

Installation torque:	75 - 85 Nm
Seal kit:	RD700198
Parts in body compensator	

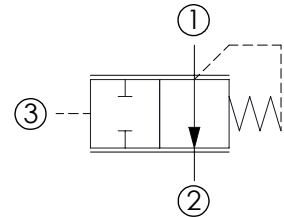
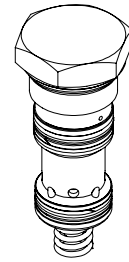
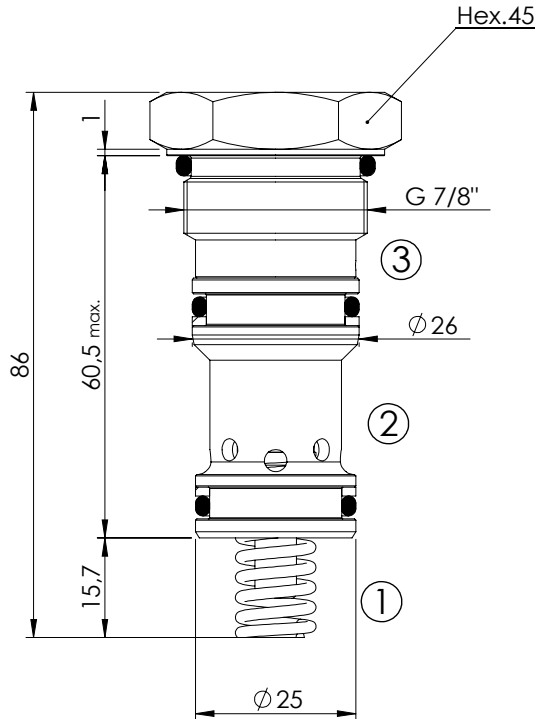
ORDERING CODES

Quick code	Description	Closing pressure (bar)	
CD000078	CDLN-060-SCPR-11-198-N005	5	
CD000184	CDLN-060-SCPR-11-198-N009	9,5	

LOGIC ELEMENT

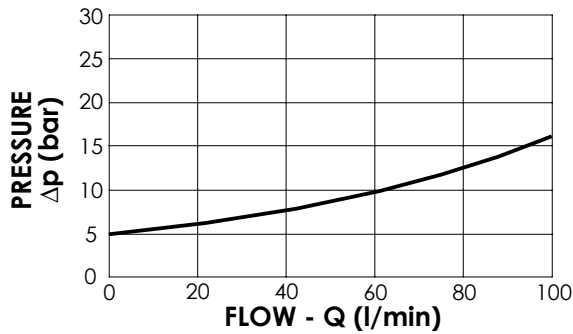
CDLN-100-SBPE

**NORMALLY OPEN
SPOOL TYPE**



SPECIFICATIONS

Max. operating pressure:	350 bar
Rated flow:	100 l/min
Cavity:	VP000555
Weight:	0,27 kg
Spool:	Ø16 mm



NOTES

Installation torque:	135-145 Nm
Seal kit:	RC700330
Parts in body compensator	

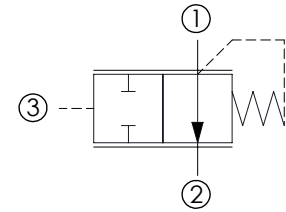
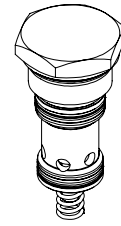
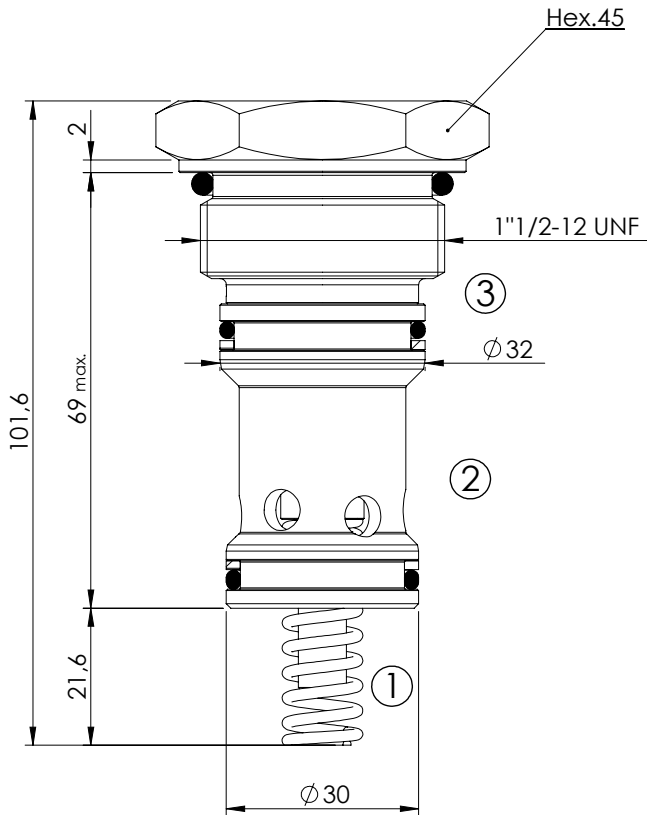
ORDERING CODES

Quick code	Description	Closing pressure (bar)	
CD000115	CDLN-100-SBPE-01-555-N005	5	

LOGIC ELEMENT

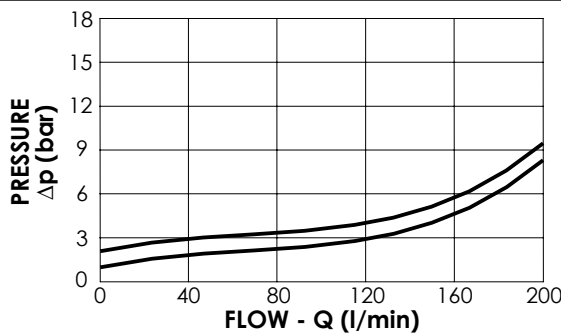
CDLN-200-SBPE

NORMALLY OPEN
SPOOL TYPE



SPECIFICATIONS

Max. operating pressure:	350 bar
Rated flow:	200 l/min
Cavity:	VP000204
Weight:	0,50 kg
Spool:	Ø19 mm



NOTES

Installation torque:	280 - 300 Nm
Seal kit:	RC700204
Parts in body compensator	

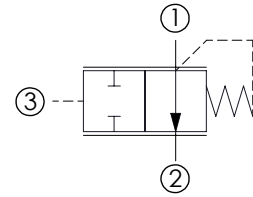
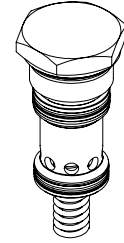
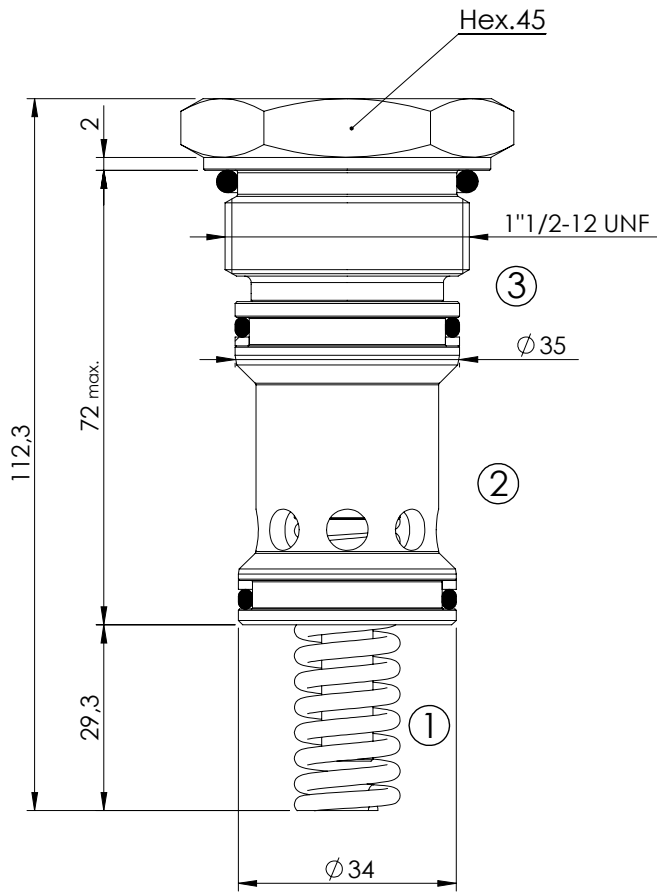
ORDERING CODES

Quick code	Description	Closing pressure (bar)	
CD000080	CDLN-200-SBPE-01-204-N001	1	
CD000286	CDLN-200-SBPE-01-204-N002	2	

LOGIC ELEMENT

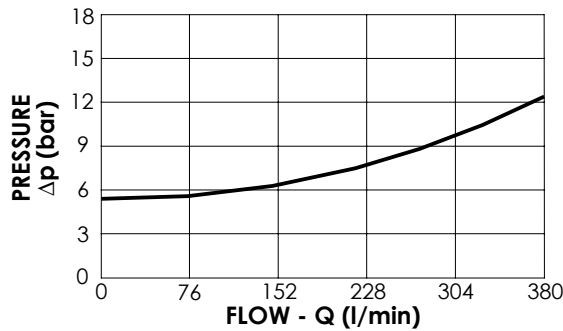
CDLN-380-SBPE

NORMALLY OPEN
SPOOL TYPE



SPECIFICATIONS

Max. operating pressure:	350 bar
Rated flow:	380 l/min
Cavity:	VP000330
Weight:	0,57 kg
Spool:	Ø22 mm



NOTES

Installation torque:	280 - 300 Nm
Seal kit:	RC700330
Parts in body compensator	

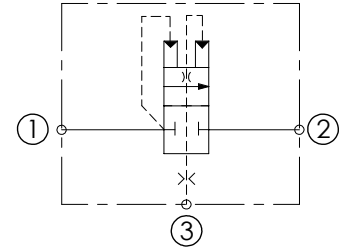
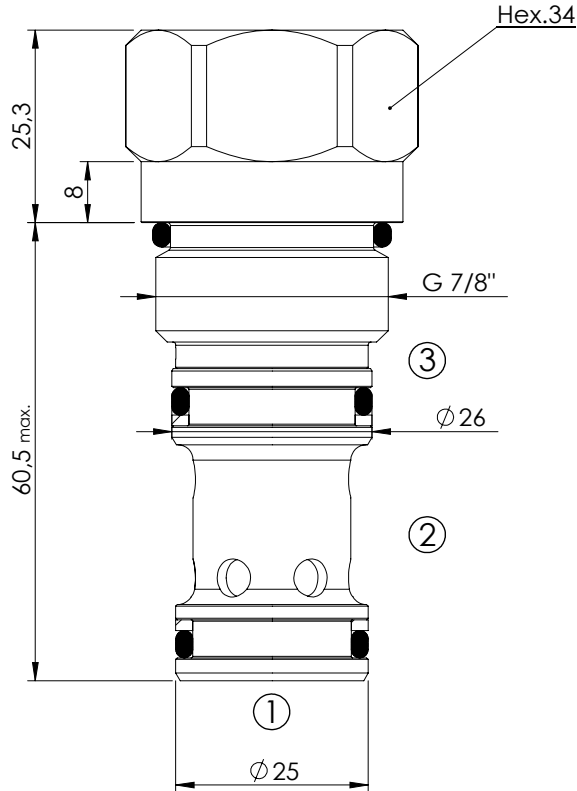
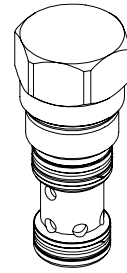
ORDERING CODES

Quick code	Description	Closing pressure (bar)	
CD000189	CDLN-380-SBPE-01-330-N005	5,5	

LOGIC ELEMENT

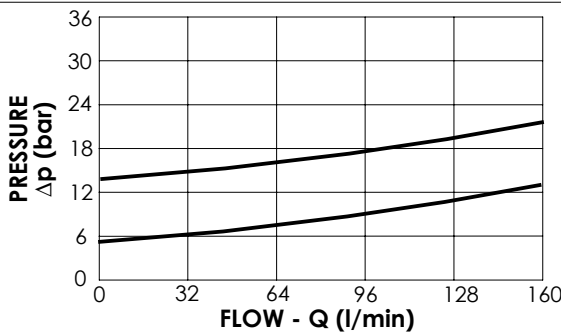
CDLN-160-SCTS

**NORMALLY CLOSED
SPOOL TYPE
KICK DOWN TYPE**



SPECIFICATIONS

Max. operating pressure:	350 bar
Rated flow:	160 l/min
Cavity:	VP000065
Weight:	0,33 kg
Spool:	Ø16 mm



NOTES

Installation torque:	135 - 145 Nm
Seal kit:	RC900065
Parts in body compensator	

ORDERING CODES

Quick code	Description	Cracking pressure (bar)	
CD000298	CDLN-160-SCTS-01-065-N005	5	
CD000299	CDLN-160-SCTS-01-065-N014	14	