



ATLANTIC
Fluid Tech



OIL SOLUTIONS

PO Box 38
Strathfieldsaye, VIC, 3551
1800 OIL SOL
1800 645 765

sales@oilsolutions.com.au

www.oilsolutions.com.au

"For All Your Hydraulic Needs"

SECTION
23

Standard
Manifolds

SECTION 23

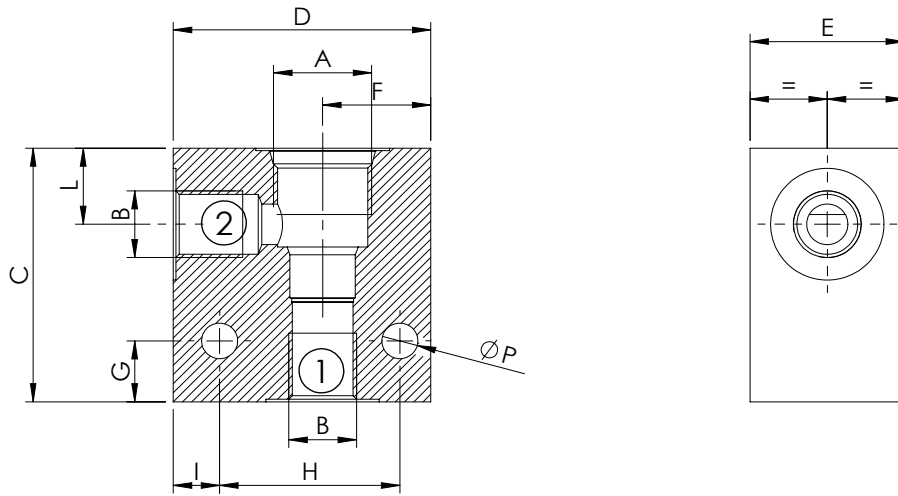
STANDARD MANIFOLDS



| Description | Material | Valve type | Max. pressure (bar) | Installation | Port size | Page |
|--------------|-----------|------------------------------|---------------------|--------------|---------------|-----------|
| SAE-XX-2N | Aluminium | Two way | 250 | In line | See datasheet | 23.00.010 |
| SAE-XX-2N | Steel | Two way | 350 | In line | See datasheet | 23.00.020 |
| SAE-XX-3C | Aluminium | Three way | 250 | In line | See datasheet | 23.00.030 |
| SAE-XX-3C | Steel | Three way | 350 | In line | See datasheet | 23.00.030 |
| SAE-XX-3N | Aluminium | Three way | 250 | In line | See datasheet | 23.00.040 |
| SAE-XX-3N | Steel | Three way | 350 | In line | See datasheet | 23.00.040 |
| SAE-XX-4N-3P | Aluminium | Four way, three ports | 250 | In line | See datasheet | 23.00.050 |
| SAE-XX-4N-3P | Steel | Four way, three ports | 350 | In line | See datasheet | 23.00.050 |
| SAE-XX-4N | Aluminium | Four way | 250 | In line | See datasheet | 23.00.060 |
| SAE-XX-4N | Steel | Four way | 350 | In line | See datasheet | 23.00.060 |
| VP000057 | Aluminium | Two way | 250 | In line | See datasheet | 23.00.070 |
| VP000057 | Steel | Two way | 350 | In line | See datasheet | 23.00.070 |
| VP000013 | Aluminium | Two way | 250 | In line | See datasheet | 23.00.070 |
| VP000013 | Steel | Two way | 350 | In line | See datasheet | 23.00.070 |
| VP000180 | Aluminium | Two way | 250 | In line | See datasheet | 23.00.070 |
| VP000180 | Steel | Two way | 350 | In line | See datasheet | 23.00.070 |
| SAE-XX-2N | Aluminium | Two way, with override screw | 250 | In line | See datasheet | 23.00.080 |
| SAE-XX-2N | Steel | Two way, with override screw | 350 | In line | See datasheet | 23.00.080 |
| VP000057 | Aluminium | Two way, with override screw | 250 | In line | See datasheet | 23.00.090 |
| VP000057 | Steel | Two way, with override screw | 350 | In line | See datasheet | 23.00.090 |
| VP000013 | Aluminium | Two way, with override screw | 250 | In line | See datasheet | 23.00.090 |
| VP000013 | Steel | Two way, with override screw | 350 | In line | See datasheet | 23.00.090 |

STANDARD MANIFOLDS

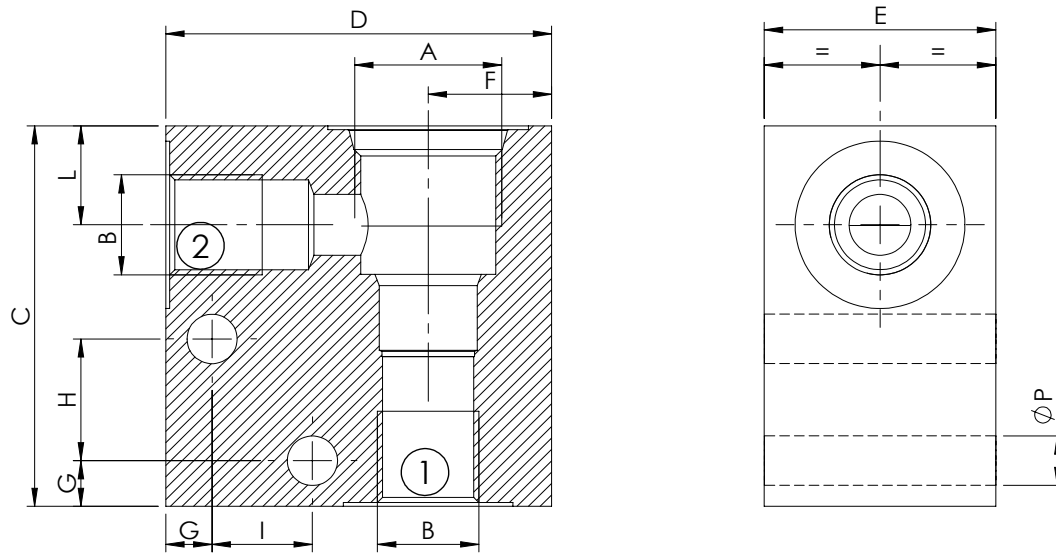
SAE-XX-2N



| CAVITY | DIMENSIONS (mm) | | | | | | | | | | | | QUICK CODE | | |
|-----------|-----------------|----|----|----|------|----|----|----|------|---|---|---|------------|----------|-----------|
| | A | B | C | D | E | F | G | H | I | L | M | N | P | Steel | Aluminium |
| SAE-08-2N | G 1/4" | 50 | 50 | 30 | 21 | 12 | 35 | 9 | 15 | | | | 7 | LK000018 | LK000017 |
| | G 3/8" | 50 | 50 | 30 | 21 | 12 | 35 | 9 | 15 | | | | 7 | LK000020 | LK000019 |
| | G 1/2" | 50 | 50 | 35 | 23 | 12 | 35 | 9 | 16 | | | | 7 | LK000390 | LK000247 |
| | 7/16-20 | 50 | 50 | 30 | 21 | 12 | 35 | 9 | 15 | | | | 7 | | |
| | 9/16-18 | 50 | 50 | 30 | 21 | 12 | 35 | 9 | 15 | | | | 7 | | |
| SAE-10-2N | G 3/8" | 60 | 60 | 35 | 25 | 15 | 45 | 7 | 19 | | | | 7 | LK000022 | LK000021 |
| | G 1/2" | 60 | 60 | 35 | 25 | 15 | 45 | 7 | 19 | | | | 7 | LK000024 | LK000023 |
| | G 3/4" | 60 | 60 | 40 | 27,5 | 15 | 45 | 9 | 20 | | | | 7 | LK000047 | LK000046 |
| SAE-12-2N | G 1/2" | 75 | 80 | 40 | 35 | 20 | 60 | 10 | 26,5 | | | | 9 | LK000207 | LK000208 |
| | G 3/4" | 75 | 80 | 40 | 35 | 20 | 60 | 10 | 26,5 | | | | 9 | LK000205 | LK000206 |
| SAE-16-2N | G 3/4" | 80 | 90 | 50 | 37 | 22 | 60 | 20 | 26 | | | | 9 | LK000156 | LK000157 |
| | G 1" | 80 | 90 | 50 | 37 | 22 | 60 | 20 | 26 | | | | 9 | LK000154 | LK000155 |
| SAE-20-2N | | | | | | | | | | | | | | | |
| | | | | | | | | | | | | | | | |
| | | | | | | | | | | | | | | | |
| | | | | | | | | | | | | | | | |

STANDARD MANIFOLDS

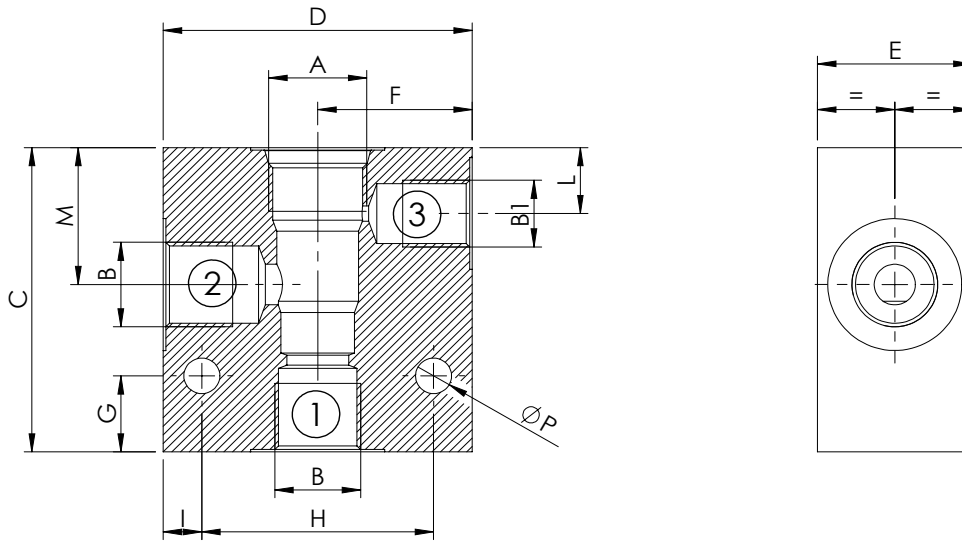
SAE-XX-2N



| CAVITY | DIMENSIONS (mm) | | | | | | | | | | | | QUICK CODE | | |
|-----------|-----------------|---------|----|----|----|----|---|----|----|----|---|---|------------|----------|-----------|
| | A | B | C | D | E | F | G | H | I | L | M | N | P | Steel | Aluminium |
| SAE-08-2N | | G 1/4" | 50 | 50 | 30 | 16 | 6 | 16 | 13 | 13 | | | 6,5 | LK000086 | LK000005 |
| | | G 3/8" | 50 | 50 | 30 | 16 | 6 | 16 | 13 | 13 | | | 6,5 | LK000085 | LK000077 |
| | | 7/16-20 | 50 | 50 | 30 | 16 | 6 | 16 | 13 | 13 | | | 6,5 | LK000277 | LK000148 |
| | | 9/16-18 | 50 | 50 | 30 | 16 | 6 | 16 | 13 | 13 | | | 6,5 | LK000076 | LK000278 |
| SAE-10-2N | | | | | | | | | | | | | | | |
| | | | | | | | | | | | | | | | |
| | | | | | | | | | | | | | | | |
| | | | | | | | | | | | | | | | |
| SAE-12-2N | | | | | | | | | | | | | | | |
| | | | | | | | | | | | | | | | |
| | | | | | | | | | | | | | | | |
| | | | | | | | | | | | | | | | |
| SAE-16-2N | | | | | | | | | | | | | | | |
| | | | | | | | | | | | | | | | |
| | | | | | | | | | | | | | | | |
| | | | | | | | | | | | | | | | |
| SAE-20-2N | | | | | | | | | | | | | | | |
| | | | | | | | | | | | | | | | |
| | | | | | | | | | | | | | | | |
| | | | | | | | | | | | | | | | |

STANDARD MANIFOLDS

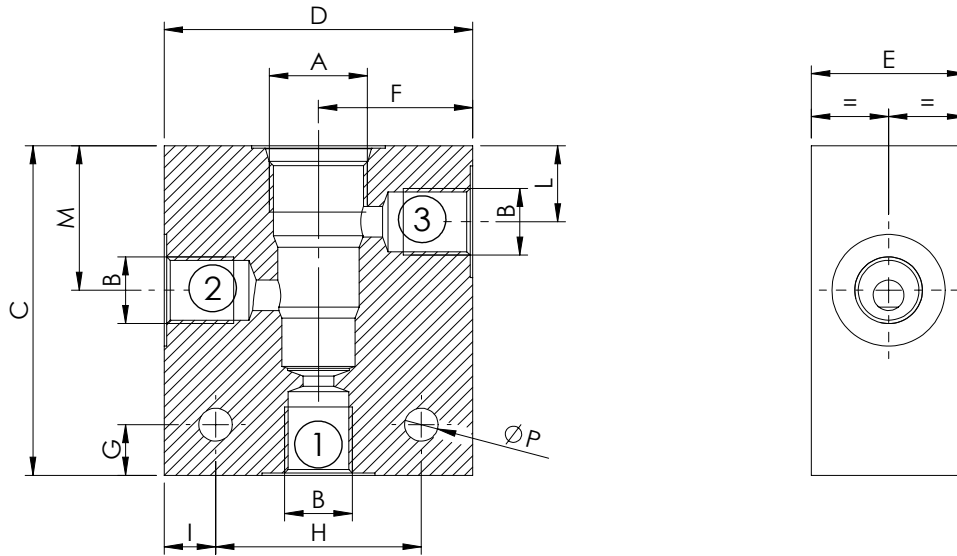
SAE-XX-3C



| CAVITY | DIMENSIONS (mm) | | | | | | | | | | | | QUICK CODE | |
|-----------|-----------------|---------|-----|-----|----|----|----|----|------|------|----|----|------------|----------|
| | A | B | B1 | C | D | E | F | G | H | I | L | M | P | Steel |
| SAE-08-3C | G 3/8" | G 1/4" | 60 | 60 | 30 | 30 | 15 | 45 | 7,5 | 13 | 27 | 7 | LK000279 | LK000033 |
| | | | | | | | | | | | | | | |
| | | | | | | | | | | | | | | |
| | | | | | | | | | | | | | | |
| SAE-10-3C | G 3/8" | G 1/4" | 70 | 60 | 35 | 30 | 15 | 45 | 7,5 | 15 | 32 | 7 | LK000280 | LK000034 |
| | | | | | | | | | | | | | | |
| | | | | | | | | | | | | | | |
| | | | | | | | | | | | | | | |
| SAE-12-3C | G 1/2" | G 1/4" | 80 | 75 | 40 | 35 | 15 | 55 | 10 | 24 | 42 | 7 | LK000165 | LK000164 |
| | G 3/4" | G 1/4" | 90 | 75 | 40 | 35 | 15 | 55 | 10 | 24 | 42 | 7 | LK000210 | LK000211 |
| | 7/8-14 | 9/16-18 | 80 | 75 | 40 | 35 | 15 | 55 | 10 | 24 | 42 | 9 | LK000263 | LK000262 |
| | | | | | | | | | | | | | | |
| SAE-16-3C | G 1" | G 1/4" | 90 | 90 | 50 | 40 | 22 | 70 | 10 | 18,5 | 39 | 9 | LK000212 | LK000213 |
| | G 3/4" | G 1/4" | 90 | 80 | 50 | 38 | 22 | 60 | 10 | 18,5 | 39 | 9 | LK000264 | LK000265 |
| | 1 5/16-12 | 7/16-20 | 90 | 90 | 50 | 40 | 22 | 70 | 10 | 18,5 | 39 | 9 | LK000266 | LK000267 |
| | | | | | | | | | | | | | | |
| SAE-20-3C | G 1" | G 1/4" | 110 | 100 | 60 | 45 | 25 | 75 | 12,5 | 21 | 51 | 11 | LK000268 | LK000269 |
| | G 1-1/4" | G 1/4" | 110 | 100 | 60 | 45 | 25 | 75 | 12,5 | 21 | 51 | 11 | LK000270 | LK000271 |
| | 1 5/8-12 | 7/16-20 | 110 | 100 | 60 | 45 | 25 | 75 | 12,5 | 21 | 51 | 11 | LK000272 | LK000273 |
| | | | | | | | | | | | | | | |

STANDARD MANIFOLDS

SAE-XX-3N

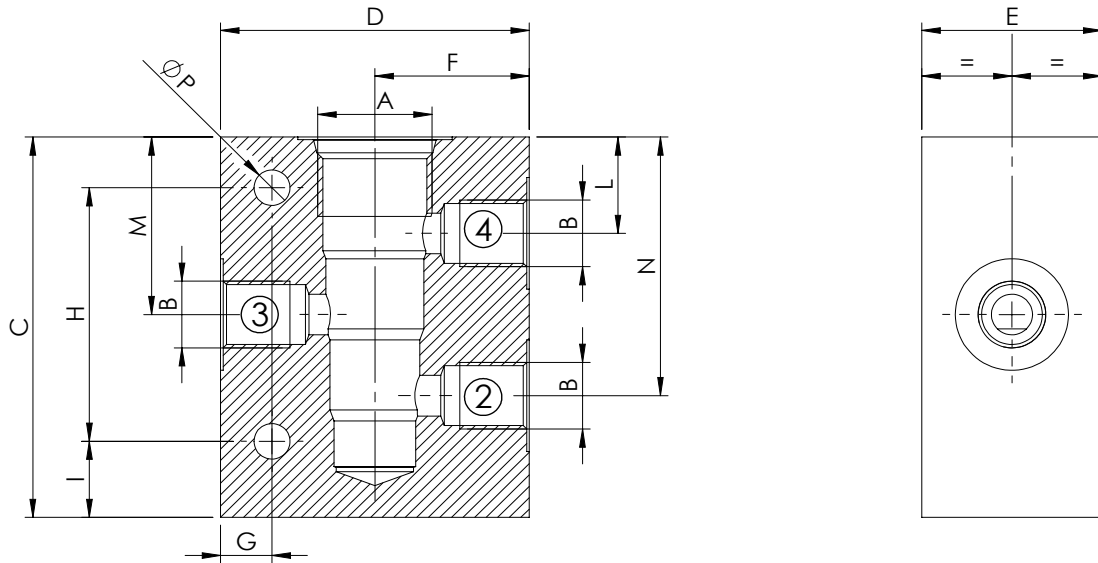


| CAVITY | DIMENSIONS (mm) | | | | | | | | | | | | QUICK CODE | |
|-----------|-----------------|-----|----|----|------|----|----|------|----|------|---|------|------------|----------|
| | A | B | C | D | E | F | G | H | I | L | M | N | P | Steel |
| SAE-08-3N | G 1/4" | 65 | 60 | 30 | 30 | 10 | 40 | 10 | 15 | 28,5 | | 6,5 | LK000089 | LK000008 |
| | G 3/8" | 65 | 60 | 30 | 30 | 10 | 40 | 10 | 15 | 28,5 | | 6,5 | LK000090 | LK000009 |
| SAE-10-3N | G 1/4" | 65 | 65 | 35 | 32,5 | 10 | 50 | 7,5 | 18 | 35 | | 6,5 | LK000035 | LK000012 |
| | G 3/8" | 65 | 60 | 35 | 30 | 10 | 45 | 7,5 | 18 | 34,5 | | 7 | LK000027 | LK000013 |
| | G 1/2" | 70 | 70 | 35 | 35 | 15 | 50 | 10 | 18 | 34,5 | | 7 | LK000131 | LK000057 |
| SAE-12-3N | G 1/2" | 100 | 80 | 40 | 42,5 | 15 | 55 | 12,5 | 29 | 54 | | 7 | LK000100 | LK000281 |
| | G 3/4" | 100 | 80 | 40 | 40 | 15 | 55 | 12,5 | 29 | 54 | | 7 | LK000294 | LK000295 |
| SAE-16-3N | G 3/4" | 100 | 90 | 50 | 45 | 20 | 60 | 15 | 26 | 54,5 | | 10,5 | LK000256 | LK000257 |
| SAE-20-3N | | | | | | | | | | | | | | |

STANDARD MANIFOLDS

SAE-XX-4N 3P

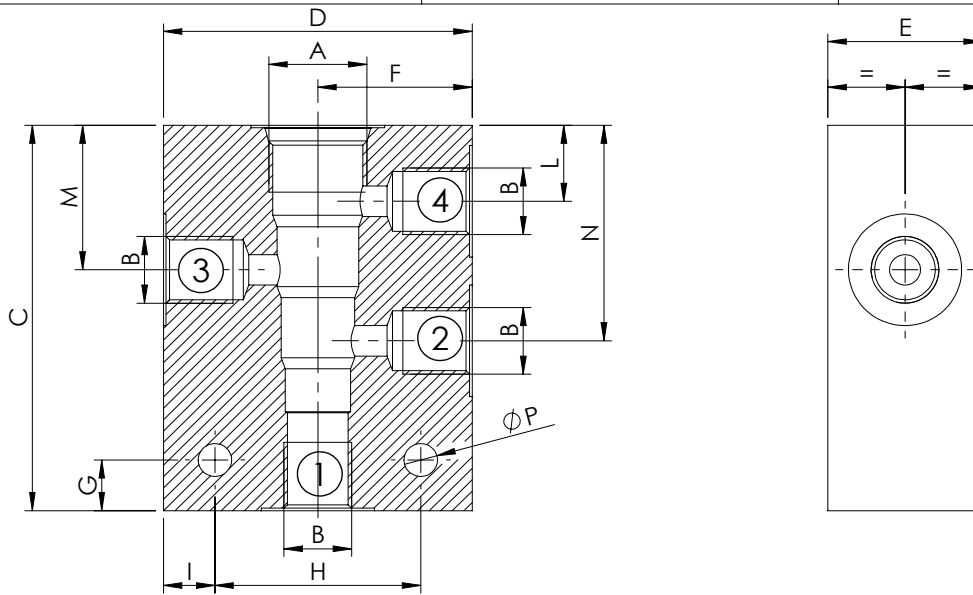
THREE PORTS



| CAVITY | DIMENSIONS (mm) | | | | | | | | | | | | QUICK CODE | |
|-----------|-----------------|-----|----|----|------|----|----|----|------|------|------|-----|------------|----------|
| | A | B | C | D | E | F | G | H | I | L | M | N | P | Steel |
| SAE-08-4N | G 3/8" | 75 | 60 | 35 | 30 | 10 | 50 | 15 | 15 | 29 | 43 | 7 | LK000063 | LK000376 |
| | | | | | | | | | | | | | | |
| | | | | | | | | | | | | | | |
| | | | | | | | | | | | | | | |
| SAE-10-4N | G 1/4" | 75 | 60 | 35 | 30 | 10 | 50 | 15 | 19 | 35 | 51 | 7 | LK000040 | LK000038 |
| | G 3/8" | 75 | 60 | 35 | 30 | 10 | 50 | 15 | 19 | 35 | 51 | 7 | LK000016 | LK000037 |
| | G 1/2" | 85 | 65 | 35 | 32,5 | 10 | 50 | 15 | 19 | 35 | 51 | 7 | LK000041 | LK000039 |
| | 9/16-18 | 75 | 60 | 35 | 30 | 10 | 50 | 15 | 19 | 35 | 51 | 7 | LK000331 | LK000330 |
| | 1/4 JIS | 75 | 60 | 35 | 30 | 10 | 50 | 15 | 19 | 35 | 51 | 7 | LK000249 | LK000367 |
| SAE-12-4N | G 3/4" | 120 | 80 | 40 | 40 | 12 | 90 | 15 | 28,5 | 53,5 | 78,5 | 7 | LK000416 | LK000417 |
| | | | | | | | | | | | | | | |
| | | | | | | | | | | | | | | |
| | | | | | | | | | | | | | | |
| SAE-16-4N | G 3/4" | 120 | 90 | 50 | 45 | 12 | 90 | 15 | 25,5 | 54 | 82,5 | 8,5 | LK000222 | LK000225 |
| | 1 1/16 JIS | 120 | 90 | 50 | 45 | 12 | 90 | 15 | 25,5 | 54 | 82,5 | 8,5 | LK000223 | LK000224 |
| SAE-20-4N | | | | | | | | | | | | | | |
| | | | | | | | | | | | | | | |
| | | | | | | | | | | | | | | |
| | | | | | | | | | | | | | | |

STANDARD MANIFOLDS

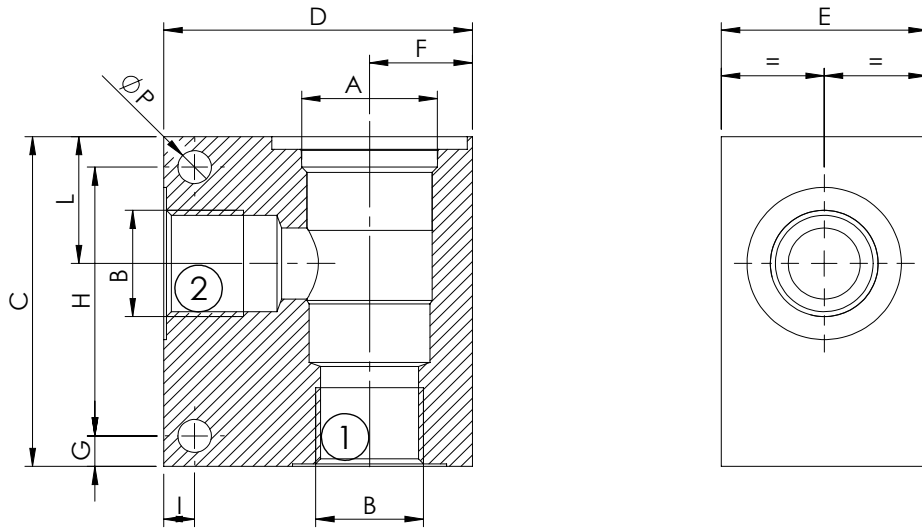
SAE-XX-4N



| CAVITY | DIMENSIONS (mm) | | | | | | | | | | | | QUICK CODE | |
|-----------|-----------------|-----|----|----|------|----|----|------|------|------|------|-----|------------|----------|
| | A | B | C | D | E | F | G | H | I | L | M | N | P | Steel |
| SAE-08-4N | G 1/4" | 76 | 60 | 30 | 30 | 10 | 40 | 10 | 15 | 28,5 | 42,5 | 6,5 | LK000282 | LK000015 |
| | G 3/8" | 76 | 60 | 30 | 30 | 10 | 40 | 10 | 15 | 28,5 | 42,5 | 6,5 | LK000276 | LK000014 |
| SAE-10-4N | G 1/4" | 80 | 65 | 35 | 32,5 | 10 | 50 | 7,5 | 18 | 35 | 50 | 6,5 | LK000231 | LK000010 |
| | G 3/8" | 85 | 60 | 35 | 30 | 15 | 45 | 7,5 | 19 | 35 | 51 | 7 | LK000043 | LK000011 |
| SAE-12-4N | G 3/4" | 125 | 80 | 40 | 40 | 20 | 55 | 12,5 | 28,5 | 53,5 | 79,5 | 7 | LK000418 | LK000419 |
| SAE-16-4N | | | | | | | | | | | | | | |
| SAE-20-4N | | | | | | | | | | | | | | |

STANDARD MANIFOLDS

VP000XXX

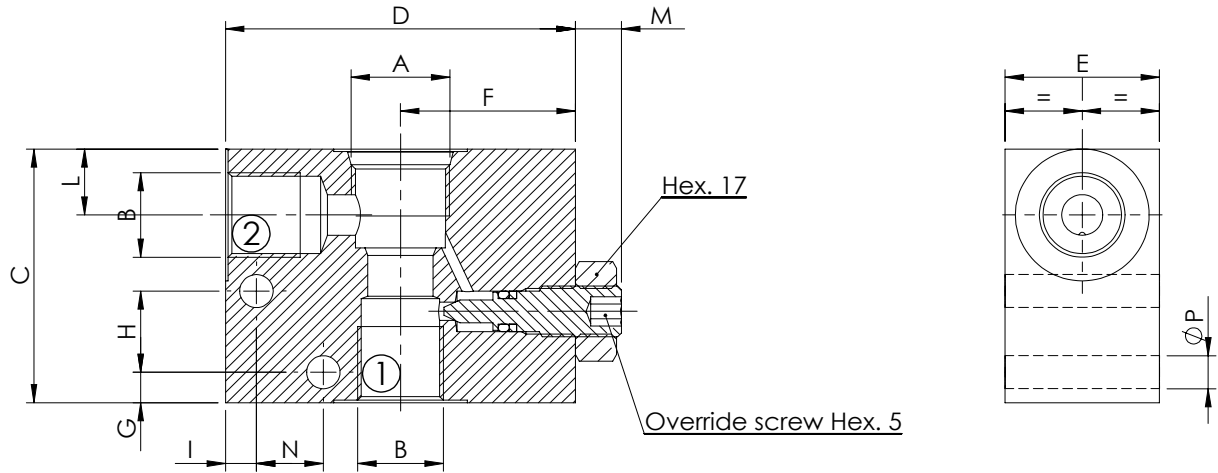


| CAVITY | DIMENSIONS (mm) | | | | | | | | | | | | QUICK CODE | | |
|----------|-----------------|-----|----|----|----|-----|----|-----|----|---|---|---|------------|----------|-----------|
| | A | B | C | D | E | F | G | H | I | L | M | N | P | Steel | Aluminium |
| VP000057 | G 1/2" | 65 | 60 | 40 | 20 | 6 | 53 | 6 | 25 | | | | 6,5 | LK000071 | LK000055 |
| | G 3/4" | 65 | 60 | 40 | 20 | 6 | 53 | 6 | 25 | | | | 6,5 | LK000075 | LK000065 |
| | 3/4-16 | 65 | 60 | 40 | 20 | 6 | 53 | 6 | 25 | | | | 6,5 | LK000275 | LK000283 |
| | 7/8-14 | 65 | 60 | 40 | 20 | 6 | 53 | 6 | 25 | | | | 6,5 | LK000363 | LK000366 |
| | M22x1,5 | 65 | 60 | 40 | 20 | 6 | 53 | 6 | 25 | | | | 6,5 | LK000393 | LK000392 |
| VP000013 | G 3/4" | 80 | 80 | 50 | 26 | 7,5 | 65 | 7,5 | 31 | | | | 8,5 | LK000078 | LK000066 |
| | G 1" | 80 | 80 | 50 | 26 | 7,5 | 65 | 7,5 | 31 | | | | 8,5 | LK000061 | LK000042 |
| VP000180 | G 1-1/4" | 100 | 90 | 70 | 35 | 17 | 75 | 15 | 39 | | | | 8,5 | LK000087 | LK000094 |
| | | | | | | | | | | | | | | | |
| | | | | | | | | | | | | | | | |
| | | | | | | | | | | | | | | | |
| | | | | | | | | | | | | | | | |
| | | | | | | | | | | | | | | | |
| | | | | | | | | | | | | | | | |
| | | | | | | | | | | | | | | | |
| | | | | | | | | | | | | | | | |

STANDARD MANIFOLDS

SAE-XX-2N

WITH OVERRIDE SCREW

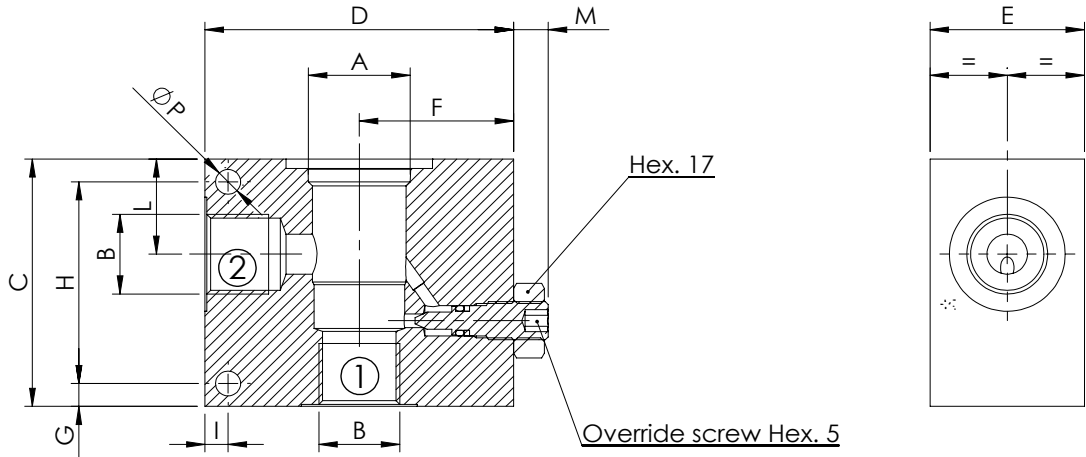


| CAVITY | DIMENSIONS (mm) | | | | | | | | | | | | QUICK CODE | |
|-----------|-----------------|----|----|----|----|---|----|---|----|---|----|-----|------------|----------|
| | A | B | C | D | E | F | G | H | I | L | M | N | P | Steel |
| SAE-08-2N | G 1/4" | 50 | 68 | 30 | 34 | 6 | 16 | 6 | 13 | 9 | 13 | 6,5 | KS000009 | KS000003 |
| | G 3/8" | 50 | 68 | 30 | 34 | 6 | 16 | 6 | 13 | 9 | 13 | 6,5 | KS000008 | KS000002 |
| | | | | | | | | | | | | | | |
| | | | | | | | | | | | | | | |
| | | | | | | | | | | | | | | |
| | | | | | | | | | | | | | | |
| | | | | | | | | | | | | | | |
| | | | | | | | | | | | | | | |
| | | | | | | | | | | | | | | |
| | | | | | | | | | | | | | | |
| | | | | | | | | | | | | | | |
| | | | | | | | | | | | | | | |
| | | | | | | | | | | | | | | |
| | | | | | | | | | | | | | | |
| | | | | | | | | | | | | | | |
| | | | | | | | | | | | | | | |
| | | | | | | | | | | | | | | |
| | | | | | | | | | | | | | | |
| | | | | | | | | | | | | | | |
| | | | | | | | | | | | | | | |
| | | | | | | | | | | | | | | |
| | | | | | | | | | | | | | | |
| | | | | | | | | | | | | | | |
| | | | | | | | | | | | | | | |

STANDARD MANIFOLDS

VP0000XX

WITH OVERRIDE SCREW



| CAVITY | DIMENSIONS (mm) | | | | | | | | | | | QUICK CODE | | | | |
|----------|-----------------|----|----|----|----|-----|----|-----|----|---|---|------------|-----|----------|-----------|--|
| | A | B | C | D | E | F | G | H | I | L | M | N | P | Steel | Aluminium | |
| VP000057 | G 1/2" | 65 | 80 | 40 | 40 | 6 | 53 | 6 | 25 | 9 | | | 6,5 | KS000007 | KS000001 | |
| | G 3/4" | 65 | 80 | 40 | 40 | 6 | 53 | 6 | 25 | 9 | | | 6,5 | KS000010 | KS000004 | |
| | | | | | | | | | | | | | | | | |
| VP000013 | G 3/4" | 80 | 90 | 50 | 47 | 7,5 | 65 | 7,5 | 31 | 9 | | | 8,5 | KS000012 | KS000005 | |
| | G 1" | 80 | 90 | 50 | 47 | 7,5 | 65 | 7,5 | 31 | 9 | | | 8,5 | KS000011 | KS000006 | |
| | | | | | | | | | | | | | | | | |
| | | | | | | | | | | | | | | | | |
| | | | | | | | | | | | | | | | | |
| | | | | | | | | | | | | | | | | |
| | | | | | | | | | | | | | | | | |
| | | | | | | | | | | | | | | | | |
| | | | | | | | | | | | | | | | | |
| | | | | | | | | | | | | | | | | |
| | | | | | | | | | | | | | | | | |
| | | | | | | | | | | | | | | | | |