



**ATLANTIC**  
Fluid Tech



OIL SOLUTIONS

**PO Box 38**  
**Strathfieldsaye, VIC, 3551**  
**1800 OIL SOL**  
**1800 645 765**

**[sales@oilsolutions.com.au](mailto:sales@oilsolutions.com.au)**

**[www.oilsolutions.com.au](http://www.oilsolutions.com.au)**

**"For All Your Hydraulic Needs"**

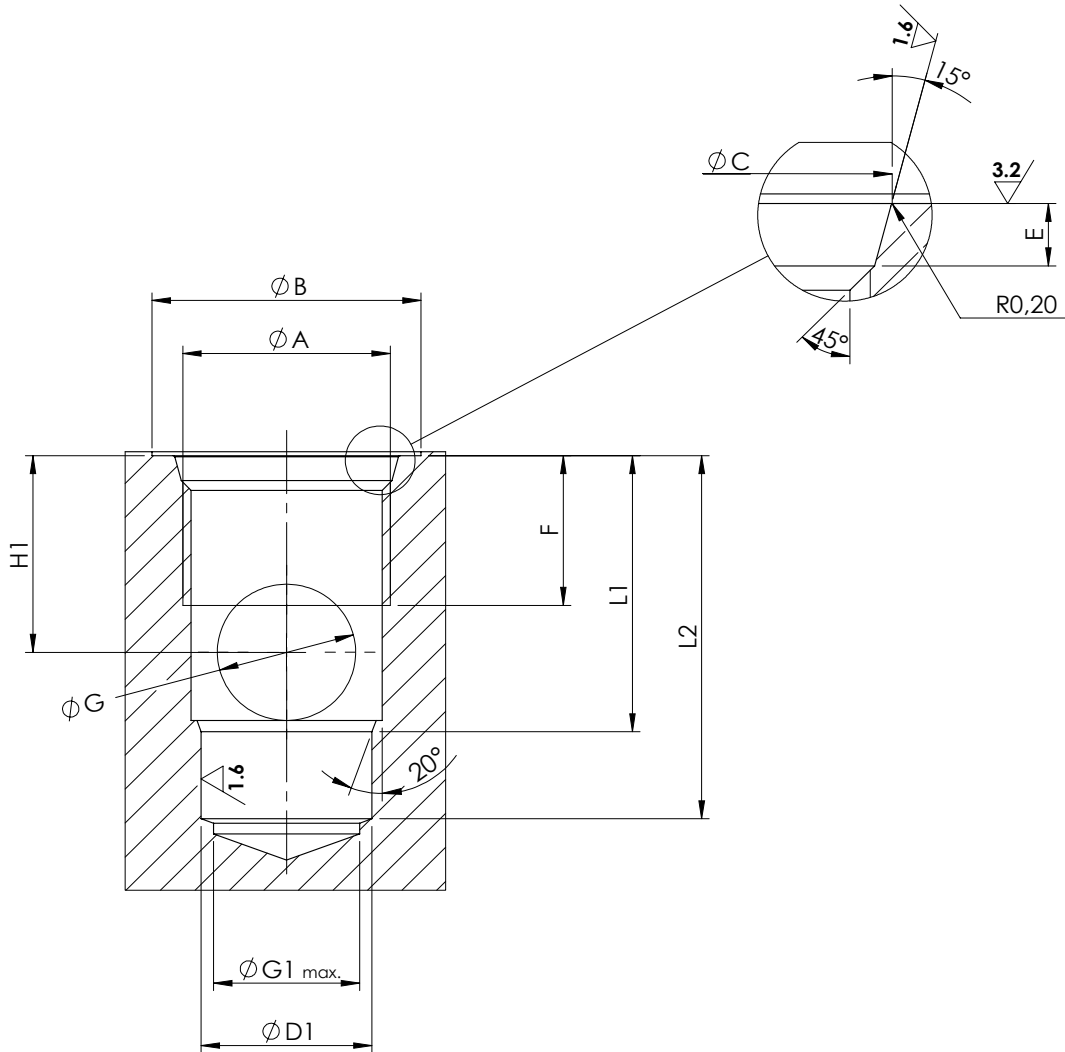
**SECTION  
24**

**Cavities and  
Technical  
Drawings**

SECTION 24

**CAVITIES AND TECHNICAL DRAWINGS**



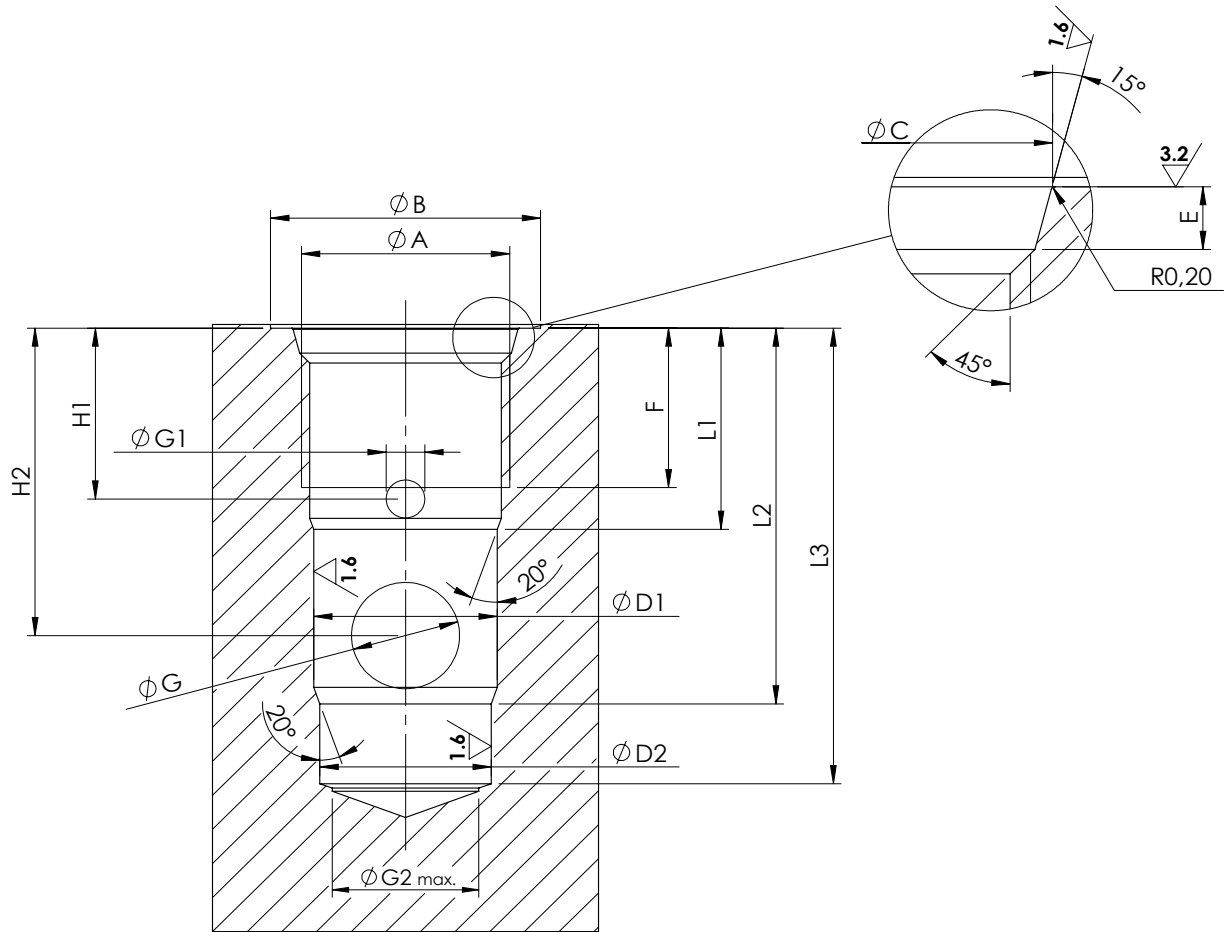


General tolerances : 0.3mm

$\text{Ⓞ}$	0.03
$\text{⊥}$	0.02

	SAE-08-2N	SAE-10-2N	SAE-12-2N	SAE-16-2N	SAE-20-2N
A	3/4-16 UNF	7/8-14 UNF	1-1/16 12 UNF	1-5-16 12 UNF	1-5/8 12 UNF
B	26	30	35	42	48
C	20.6 <sup>+0.1</sup> <sub>0</sub>	23.9 <sup>+0.1</sup> <sub>0</sub>	29.2 <sup>+0.1</sup> <sub>0</sub>	35.5 <sup>+0.1</sup> <sub>0</sub>	43.5 <sup>+0.1</sup> <sub>0</sub>
D1	12.7 <sup>+0.05</sup> <sub>0</sub>	15.87 <sup>+0.05</sup> <sub>0</sub>	22.22 <sup>+0.05</sup> <sub>0</sub>	28.60 <sup>+0.05</sup> <sub>0</sub>	36.52 <sup>+0.05</sup> <sub>0</sub>
E	2.6 <sup>+0.3</sup> <sub>0</sub>	2.6 <sup>+0.3</sup> <sub>0</sub>	3.3 <sup>+0.3</sup> <sub>0</sub>	3.3 <sup>+0.3</sup> <sub>0</sub>	3.4 <sup>+0.3</sup> <sub>0</sub>
F	13	15	20	20	22
G	9	12	18	19	25
G1	12	15	19	24	30
H1	14	18	26	25	32
L1	20.5	25.5	36.5	36	44.5
L2	29	34.5	48	49	59

# SAE-XX-3C

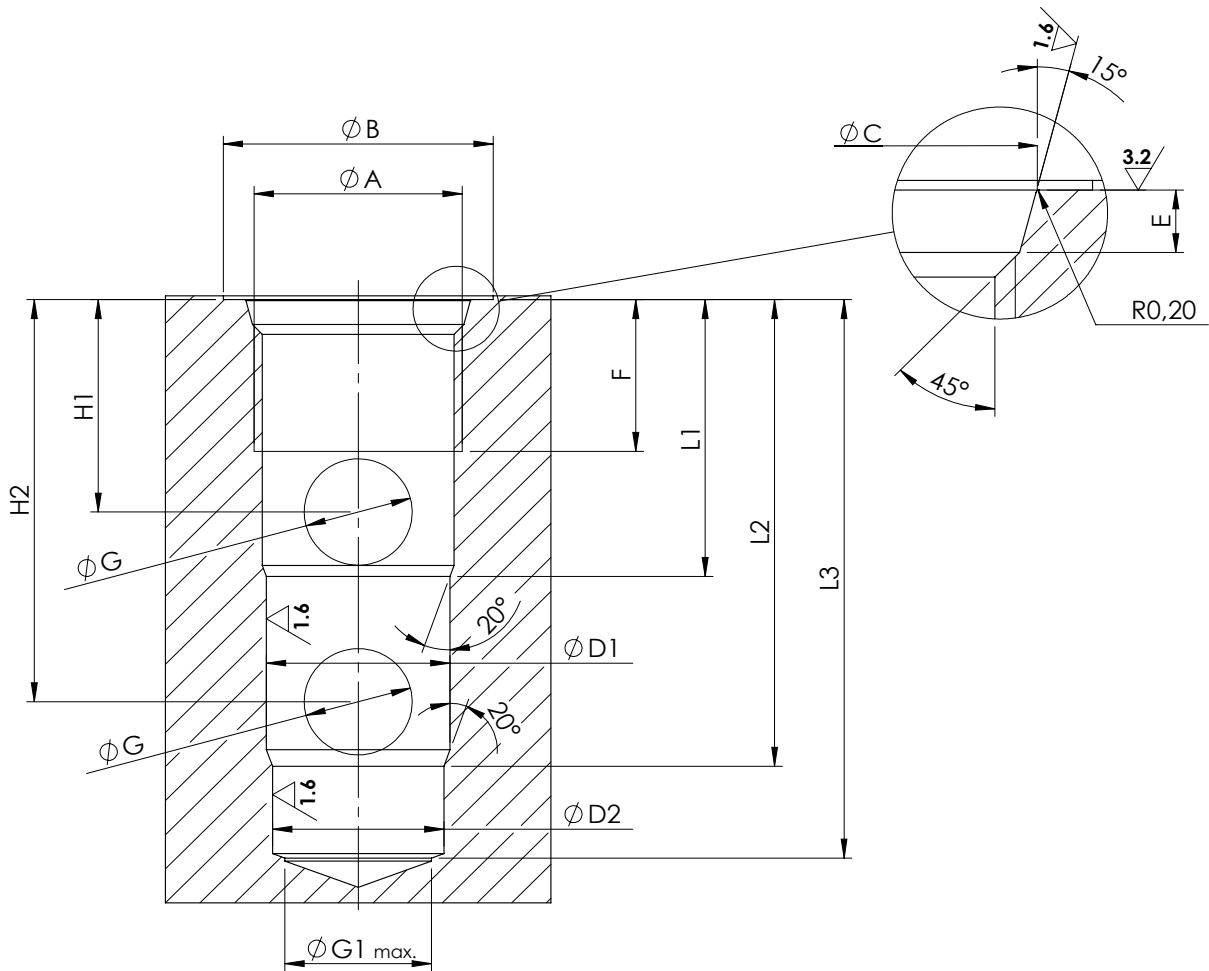


General tolerances : 0.03 mm

⊙	0.03
⊥	0.02

	SAE-08-3C	SAE-10-3C	SAE-12-3C	SAE-16-3C	SAE-20-3C
A	3/4-16 UNF	7/8-14 UNF	1-1/16 12 UNF	1-5/16 12 UNF	1-5/8 12 UNF
B	26	30	35	42	48
C	20.6 <sup>+0.1</sup> <sub>0</sub>	23.9 <sup>+0.1</sup> <sub>0</sub>	29.2 <sup>+0.1</sup> <sub>0</sub>	35.5 <sup>+0.1</sup> <sub>0</sub>	43.5 <sup>+0.1</sup> <sub>0</sub>
D1	15.87 <sup>+0.05</sup> <sub>0</sub>	19.05 <sup>+0.05</sup> <sub>0</sub>	23.80 <sup>+0.05</sup> <sub>0</sub>	28.6 <sup>+0.05</sup> <sub>0</sub>	36.52 <sup>+0.05</sup> <sub>0</sub>
D2	14.27 <sup>+0.05</sup> <sub>0</sub>	17.47 <sup>+0.05</sup> <sub>0</sub>	22.22 <sup>+0.05</sup> <sub>0</sub>	25.42 <sup>+0.05</sup> <sub>0</sub>	33.35 <sup>+0.05</sup> <sub>0</sub>
E	2.6 <sup>+0.3</sup> <sub>0</sub>	2.6 <sup>+0.3</sup> <sub>0</sub>	3.3 <sup>+0.3</sup> <sub>0</sub>	3.3 <sup>+0.3</sup> <sub>0</sub>	3.4 <sup>+0.3</sup> <sub>0</sub>
F	12	13	21	16.5	20
G	8	14	14	15	28
G1	3	4	5	5	7
G2	12	15	19	24	30
H1	12.5	14	22.5	17.5	20
H2	26.5	31.5	40.5	38	50
L1	16	18	26.5	22	25.5
L2	32	40	49.5	47.5	65.5
L3	40	49	60	58	78

# SAE-XX-3N

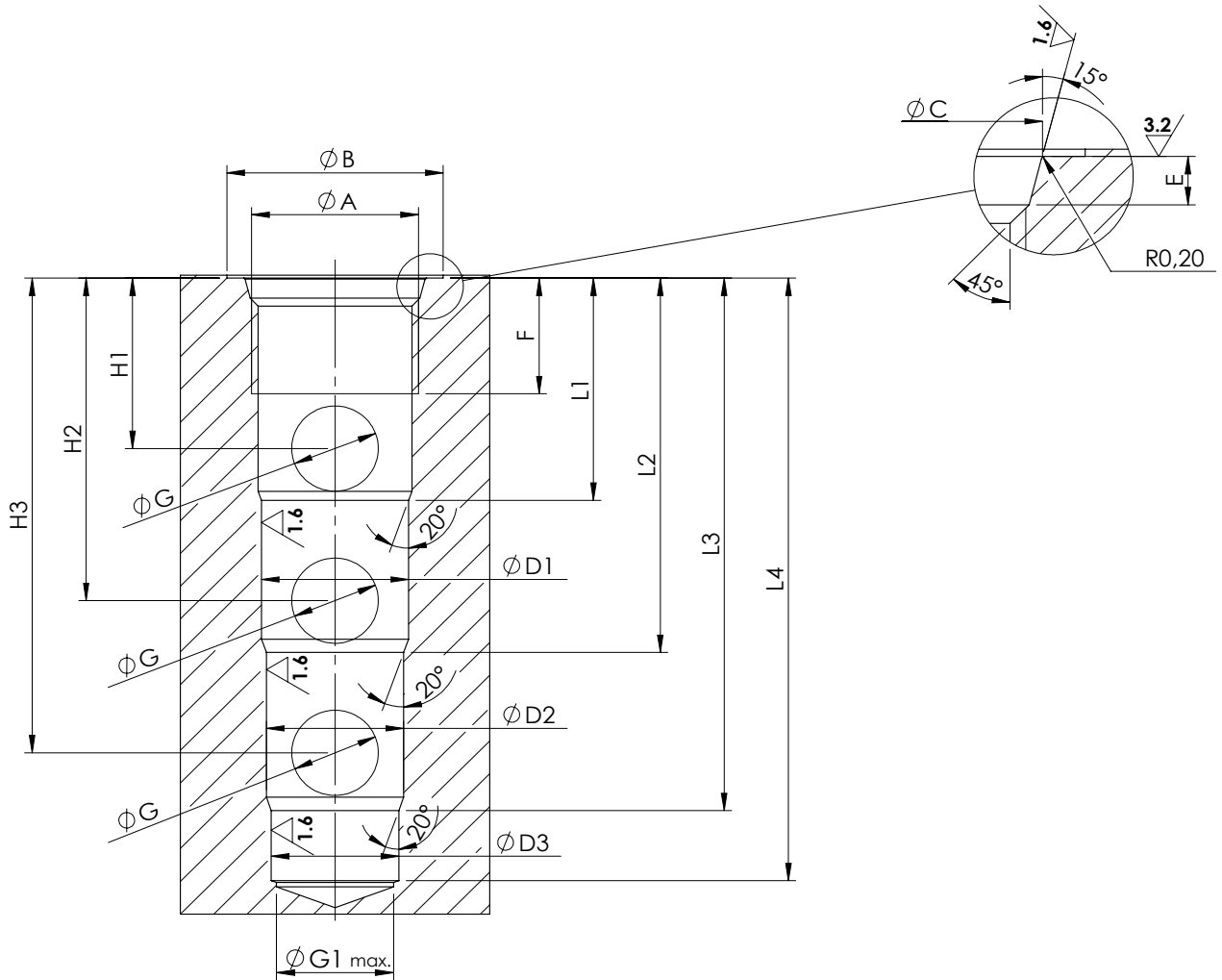


General tolerances : 0.03 mm

⊙	0.03
⊥	0.02

	SAE-08-3N	SAE-10-3N	SAE-12-3N	SAE-16-3N	SAE-20-3N
A	3/4-16 UNF	7/8-14 UNF	1-1/16 12 UNF	1-5/16 12 UNF	1-5/8 12 UNF
B	26	30	35	42	54
C	20.60 <sup>+0.1</sup> <sub>0</sub>	23.90 <sup>+0.1</sup> <sub>0</sub>	29.20 <sup>+0.1</sup> <sub>0</sub>	35.50 <sup>+0.1</sup> <sub>0</sub>	43.5 <sup>+0.1</sup> <sub>0</sub>
D1	15.87 <sup>+0.05</sup> <sub>0</sub>	17.47 <sup>+0.05</sup> <sub>0</sub>	23.80 <sup>+0.05</sup> <sub>0</sub>	28.60 <sup>+0.05</sup> <sub>0</sub>	36.52 <sup>+0.05</sup> <sub>0</sub>
D2	14.27 <sup>+0.05</sup> <sub>0</sub>	15.87 <sup>+0.05</sup> <sub>0</sub>	22.22 <sup>+0.05</sup> <sub>0</sub>	27.00 <sup>+0.05</sup> <sub>0</sub>	33.35 <sup>+0.05</sup> <sub>0</sub>
E	2.6 <sup>+0.3</sup> <sub>0</sub>	2.6 <sup>+0.3</sup> <sub>0</sub>	3.3 <sup>+0.3</sup> <sub>0</sub>	3.3 <sup>+0.3</sup> <sub>0</sub>	3.4 <sup>+0.3</sup> <sub>0</sub>
F	13	14	20	20	22
G	6	8	14	17	25
G1	12	15	19	24	30
-	-	-	-	-	-
H1	15	18	28	25.5	32
H2	29	34	53	54	72
L1	19.50	23.5	36.5	35.5	46
L2	33.50	39.50	61.50	64	86
L3	43	48.50	73	75	100

# SAE-XX-4N



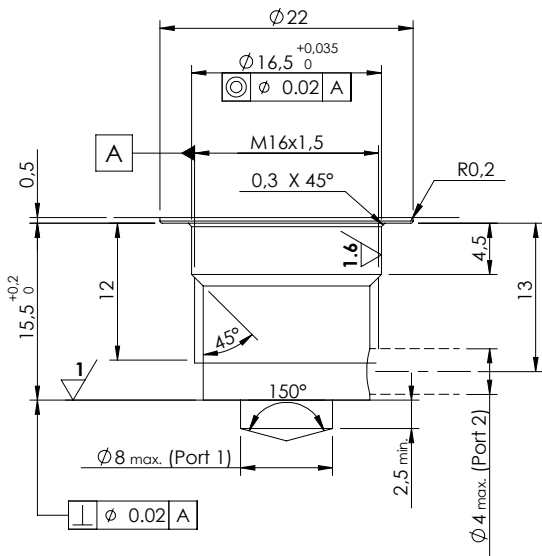
General tolerances: 0.03 mm

$\text{Ⓞ}$	0.03
$\text{Ⓛ}$	0.02

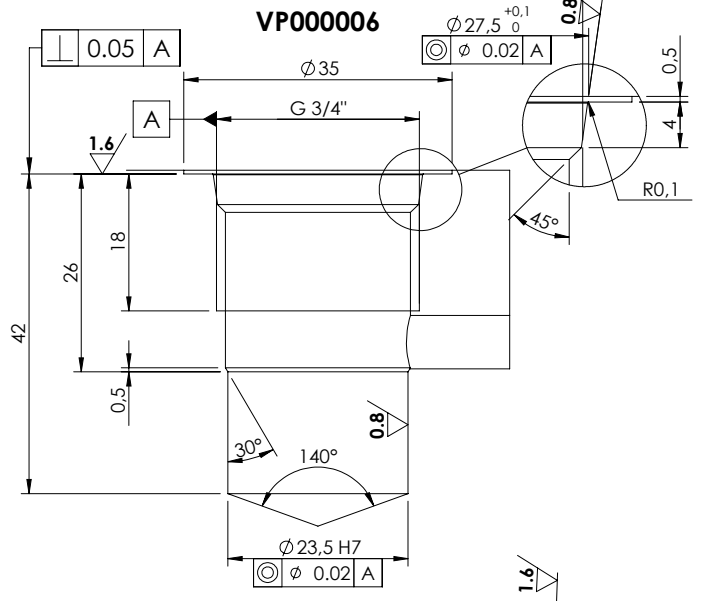
	SAE-08-4N	SAE-10-4N	SAE-12-4N	SAE-16-4N	SAE-20-4N
A	3/4-16 UNF	7/8-14 UNF	1-1/16 12 UNF	1-5/16 12 UNF	1-5/8 12 UNF
B	26	30	35	42	48
C	20.60 <sup>+0.1</sup> <sub>0</sub>	23.90 <sup>+0.1</sup> <sub>0</sub>	29.20 <sup>+0.1</sup> <sub>0</sub>	35.50 <sup>+0.1</sup> <sub>0</sub>	43.5 <sup>+0.1</sup> <sub>0</sub>
D1	15.87 <sup>+0.05</sup> <sub>0</sub>	19.05 <sup>+0.05</sup> <sub>0</sub>	23.80 <sup>+0.05</sup> <sub>0</sub>	28.60 <sup>+0.05</sup> <sub>0</sub>	36.52 <sup>+0.05</sup> <sub>0</sub>
D2	14.27 <sup>+0.05</sup> <sub>0</sub>	17.47 <sup>+0.05</sup> <sub>0</sub>	22.22 <sup>+0.05</sup> <sub>0</sub>	27.00 <sup>+0.05</sup> <sub>0</sub>	33.35 <sup>+0.05</sup> <sub>0</sub>
D3	12.7 <sup>+0.05</sup> <sub>0</sub>	15.87 <sup>+0.05</sup> <sub>0</sub>	20.62 <sup>+0.05</sup> <sub>0</sub>	25.42 <sup>+0.05</sup> <sub>0</sub>	31.75 <sup>+0.05</sup> <sub>0</sub>
E	2.6 <sup>+0.3</sup> <sub>0</sub>	2.6 <sup>+0.3</sup> <sub>0</sub>	3.3 <sup>+0.3</sup> <sub>0</sub>	3.3 <sup>+0.3</sup> <sub>0</sub>	3.4 <sup>+0.3</sup> <sub>0</sub>
F	13	15	19	20	22
G	6	8	14	16	25
G1	12	15	19	24	30
H1	15	18	28	25	32
H2	29	34	53	53.5	72
H3	43	50	78	82	114
L1	19.5	23.5	36.5	35.5	46
L2	33.5	39.5	61.5	64	87
L3	47.5	55.5	87.5	92.5	128.5
L4	56	64.5	99	104	142

# SPECIAL CAVITIES

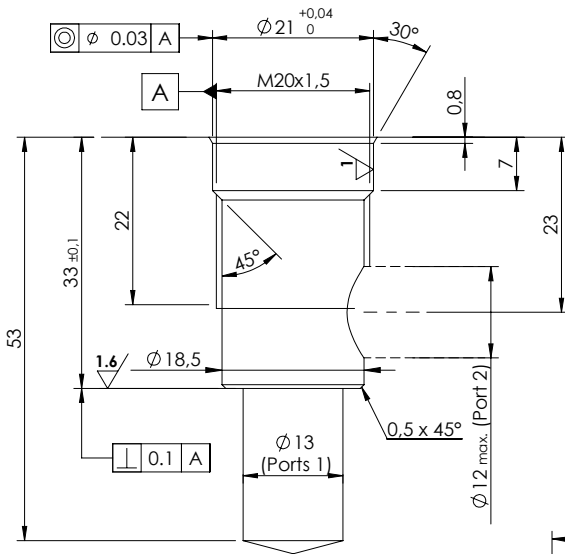
**VP000005**



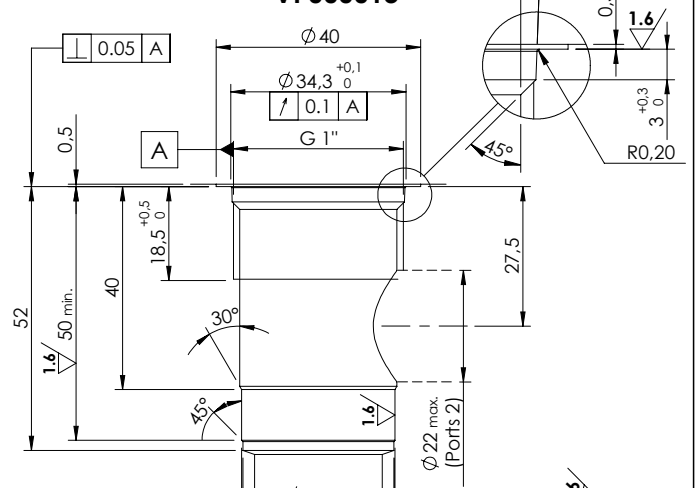
**VP000006**



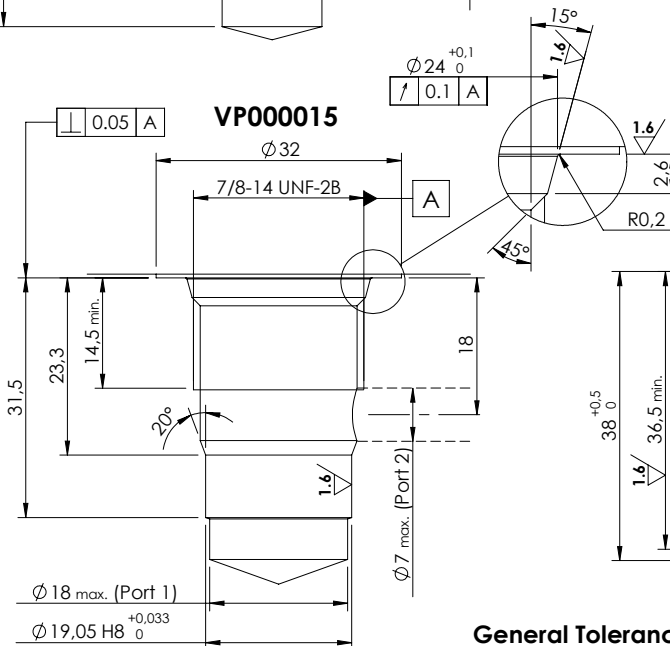
**VP000008**



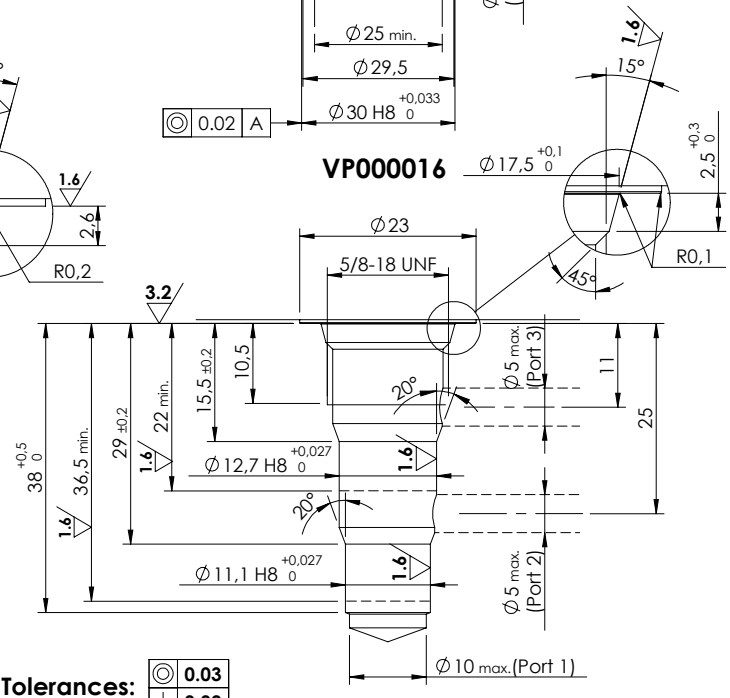
**VP000013**



**VP000015**



**VP000016**

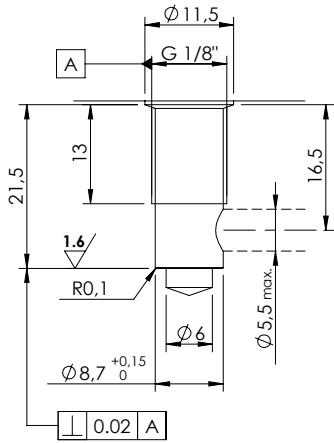


General Tolerances:

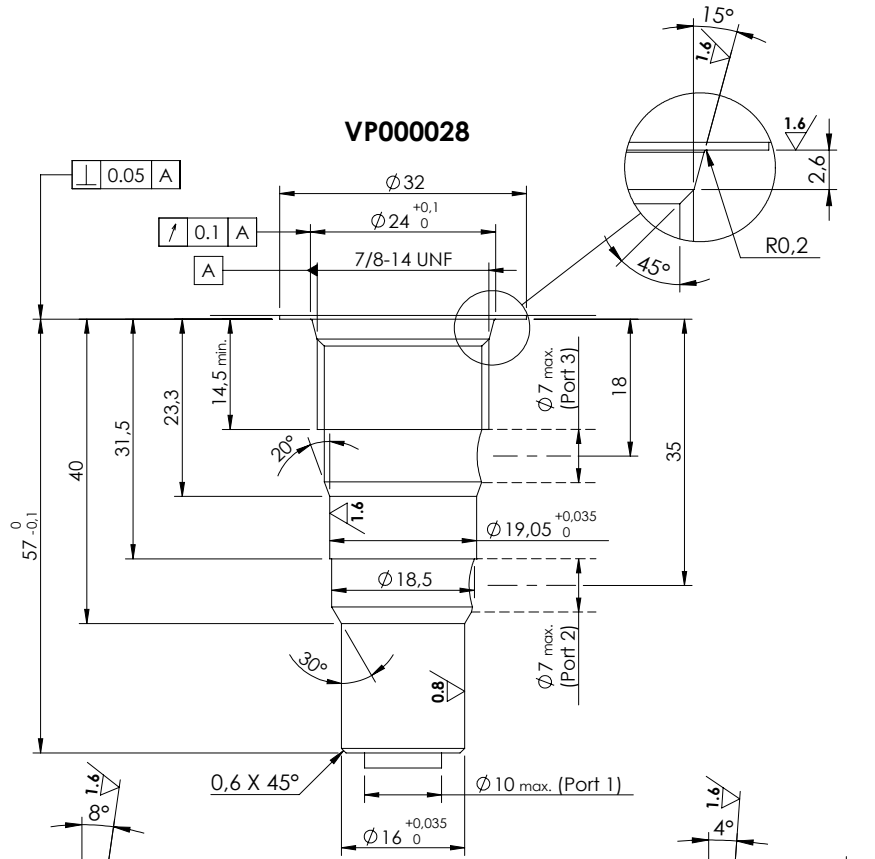
	0.03
	0.02

# SPECIAL CAVITIES

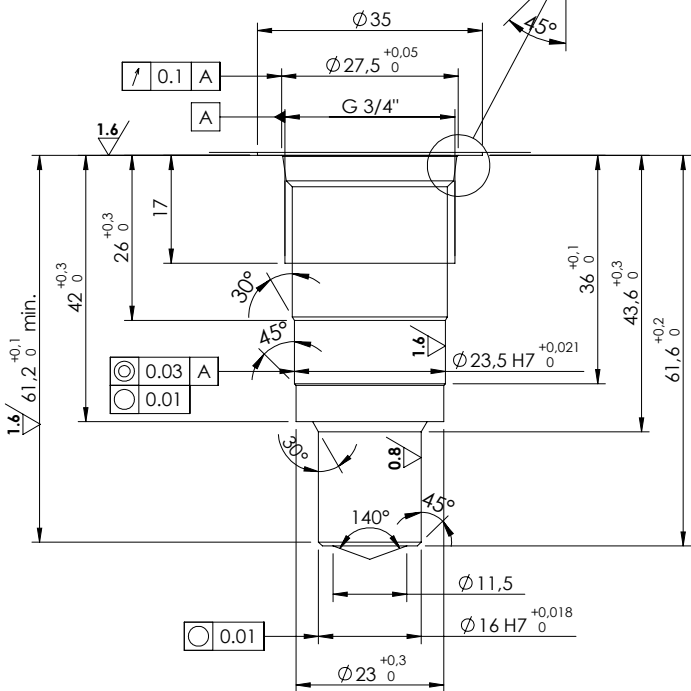
VP000018



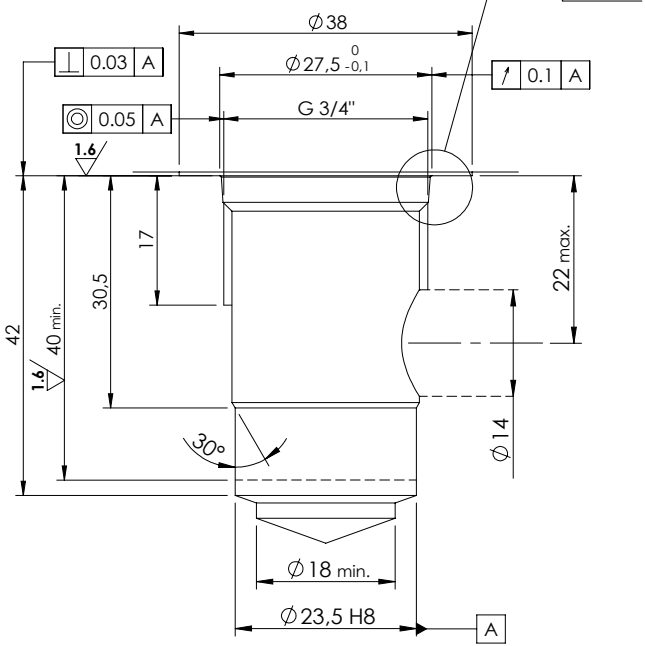
VP000028



VP000038



VP000057

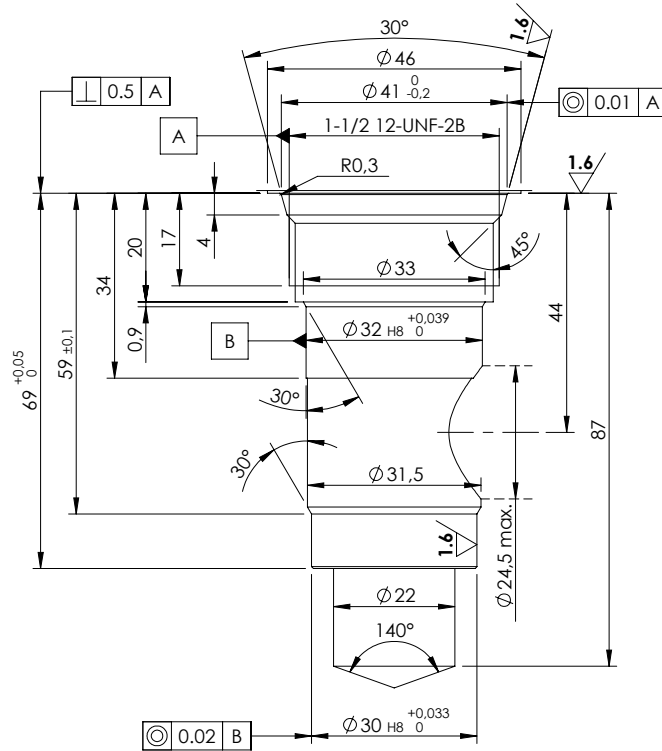


General Tolerances: 

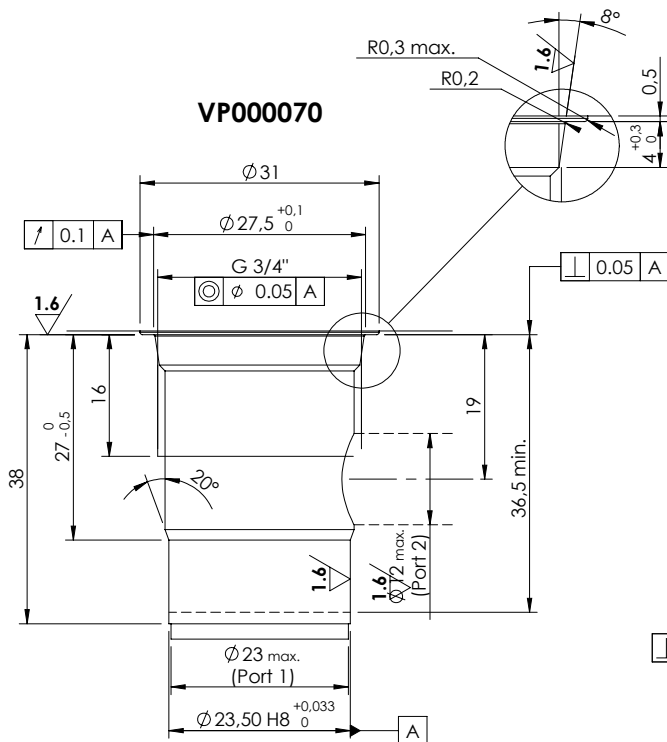
⊙	0.03
⊥	0.02



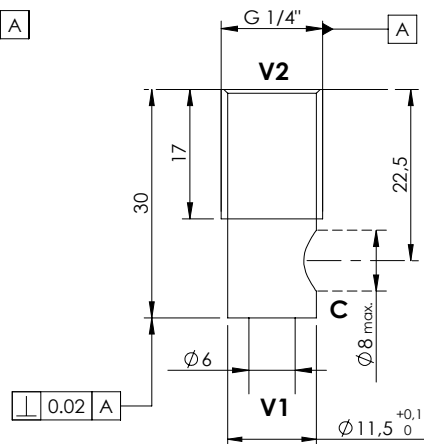
**VP000058**



**VP000070**



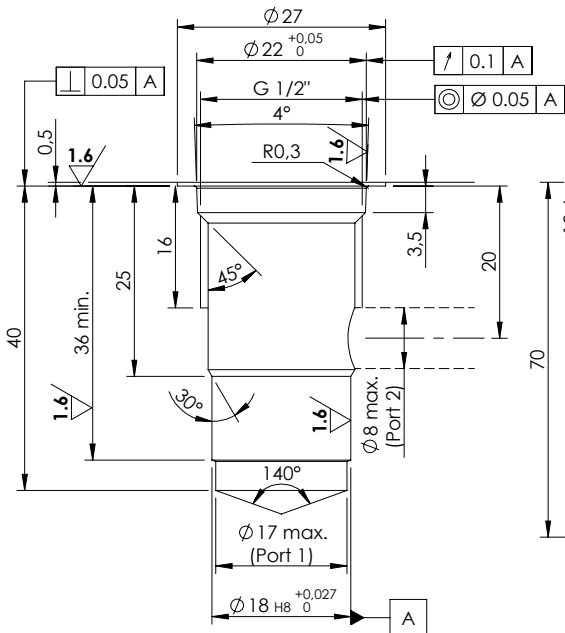
**VP000079**



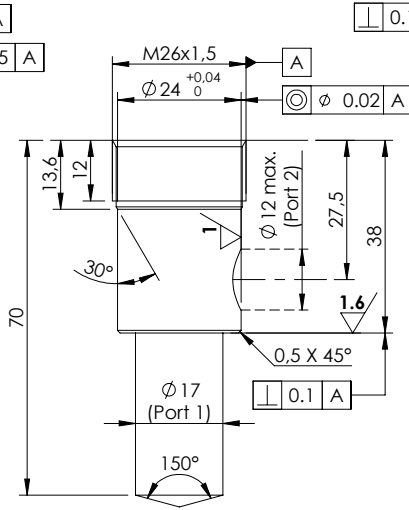
General Tolerances:  $\varnothing 0.03$   
 $1.6$

# SPECIAL CAVITIES

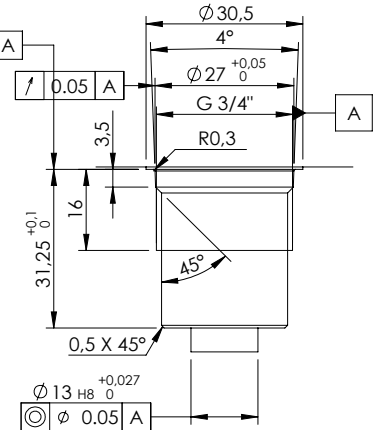
VP000080



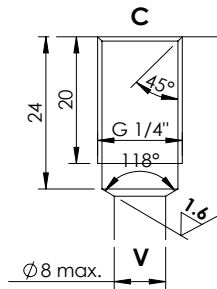
VP000086



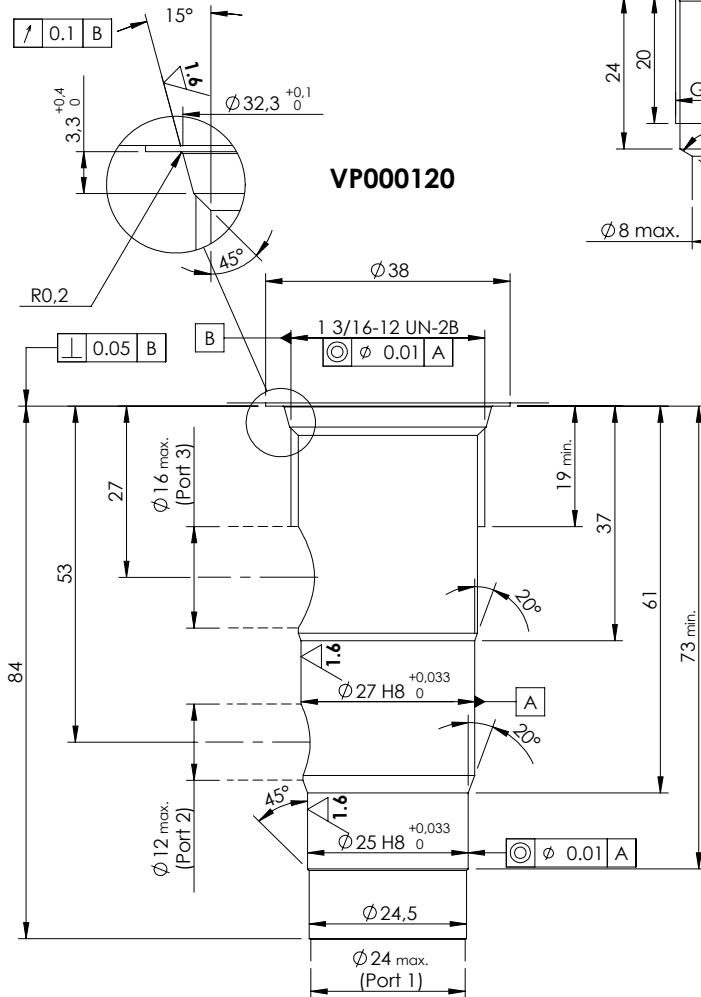
VP000096



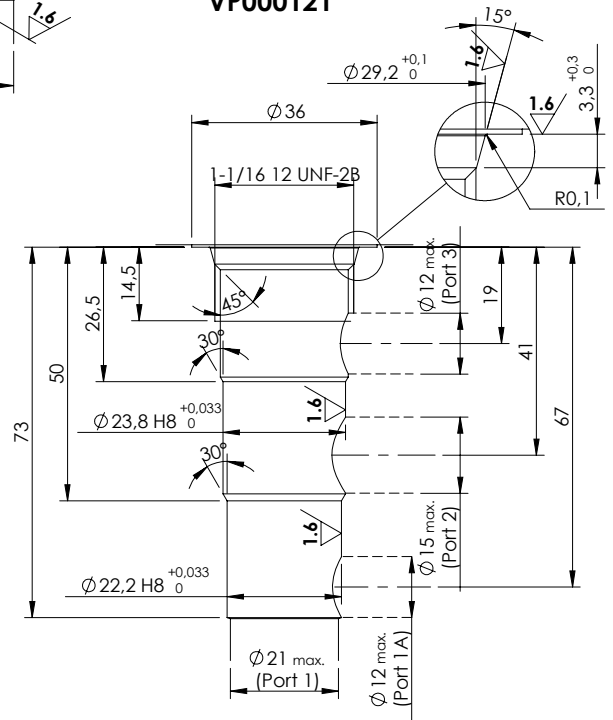
VP000098



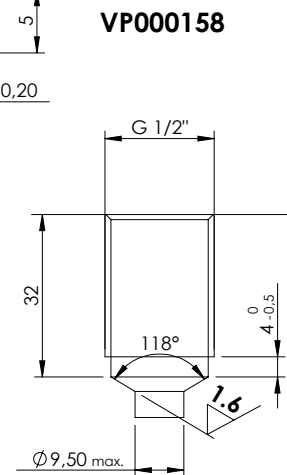
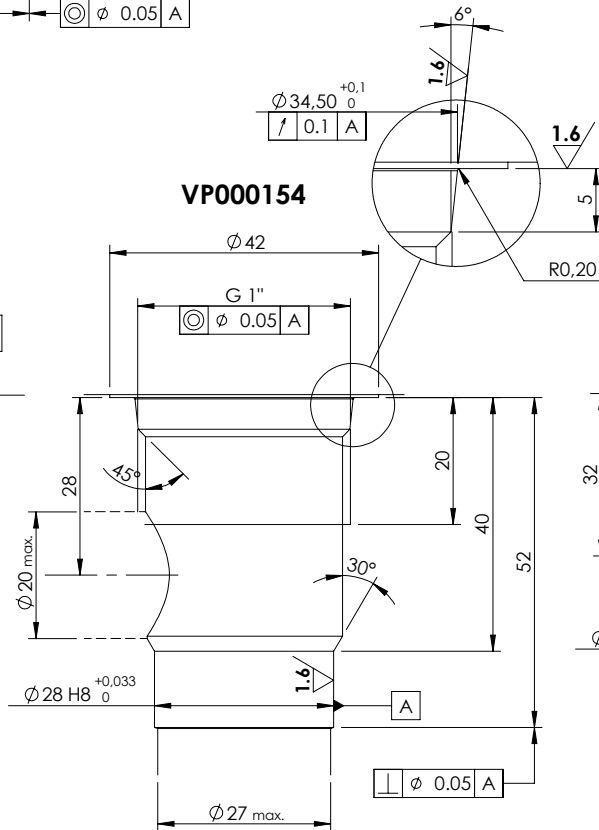
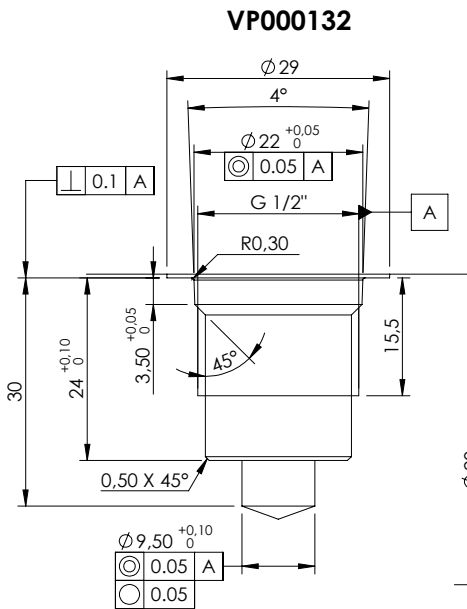
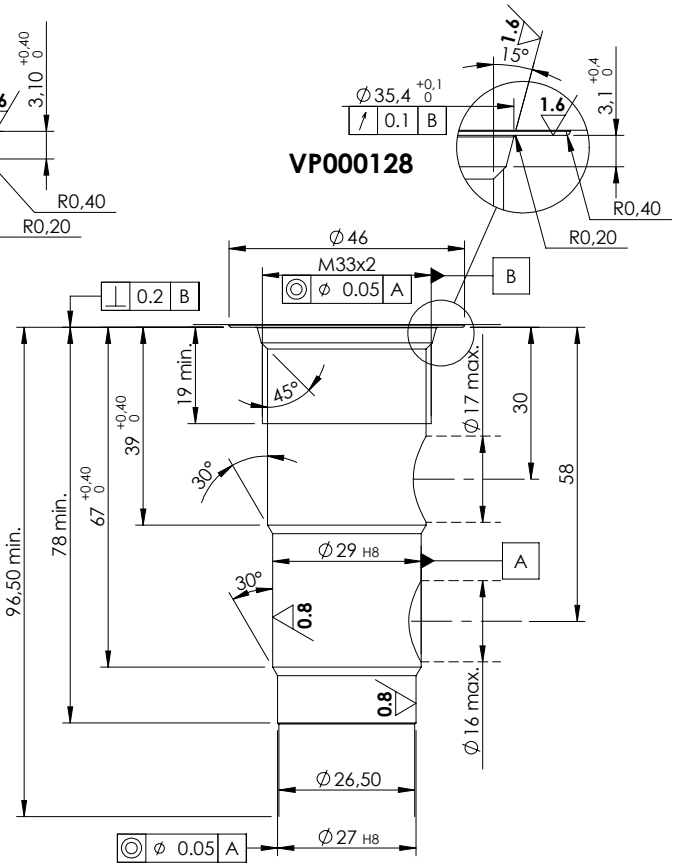
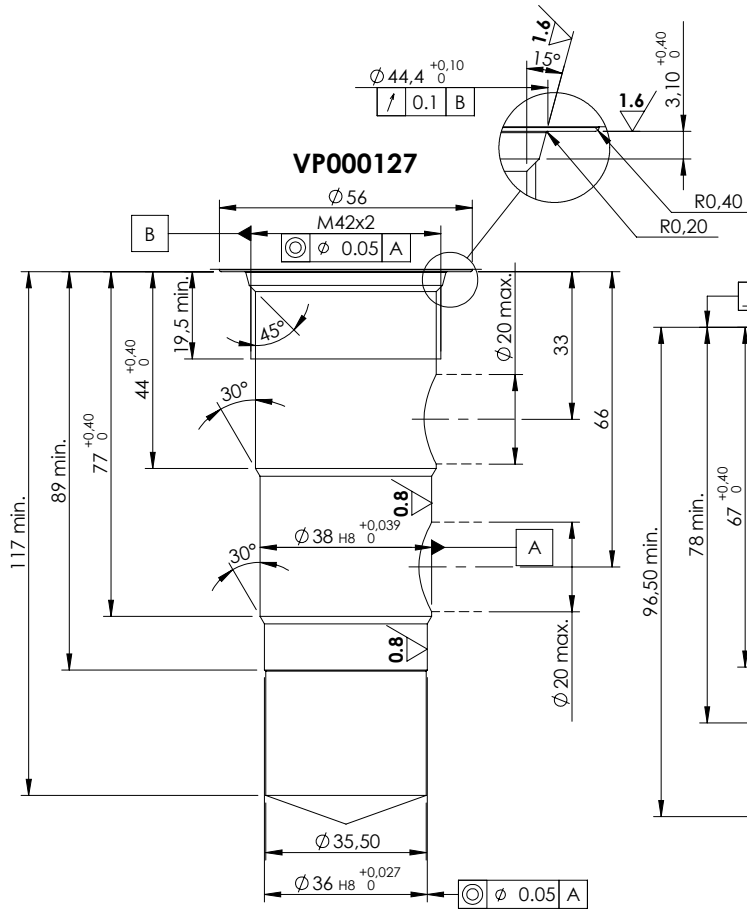
VP000120



VP000121



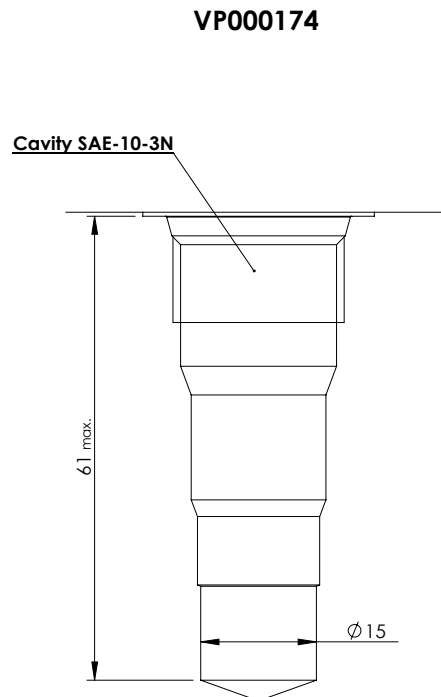
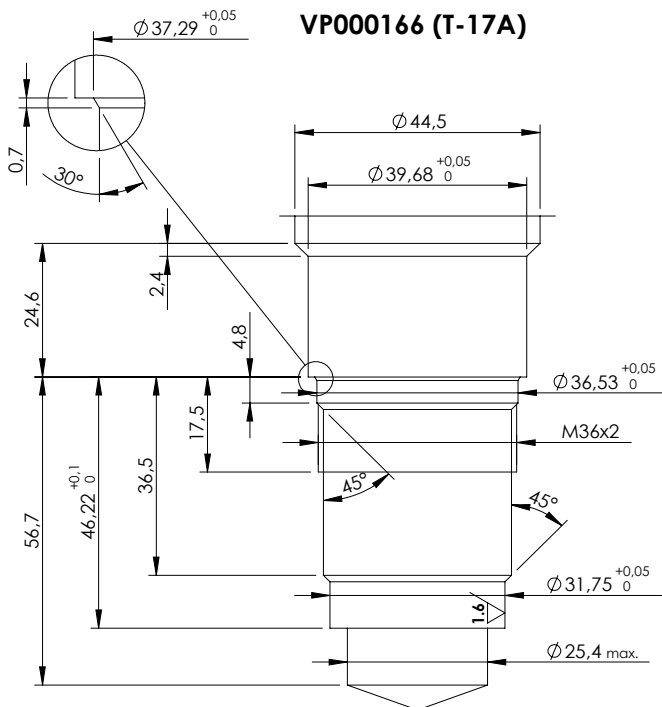
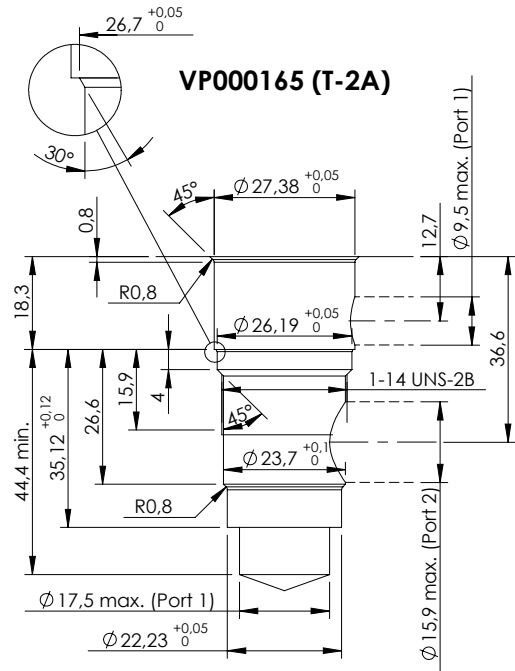
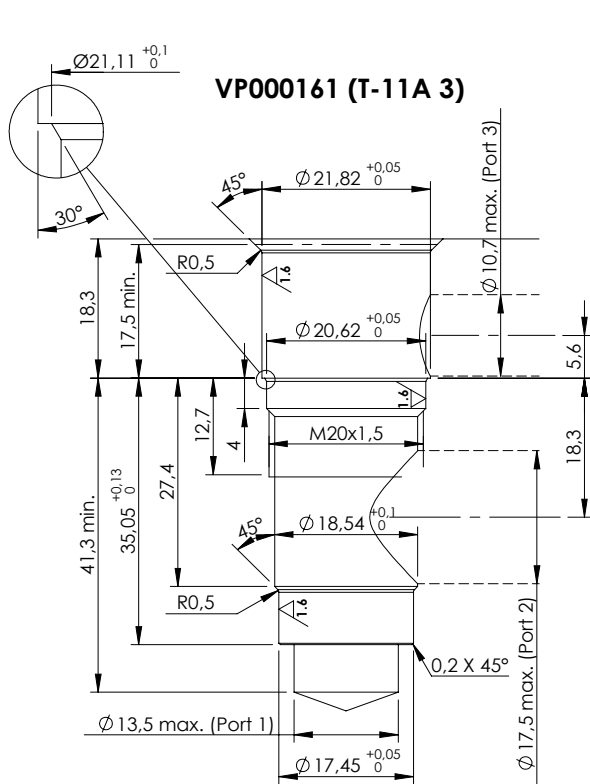
General Tolerances:  $\text{⊙}$  0.03  $\text{⊥}$  0.02



General Tolerances: 

⊙	0.03
⊥	0.02

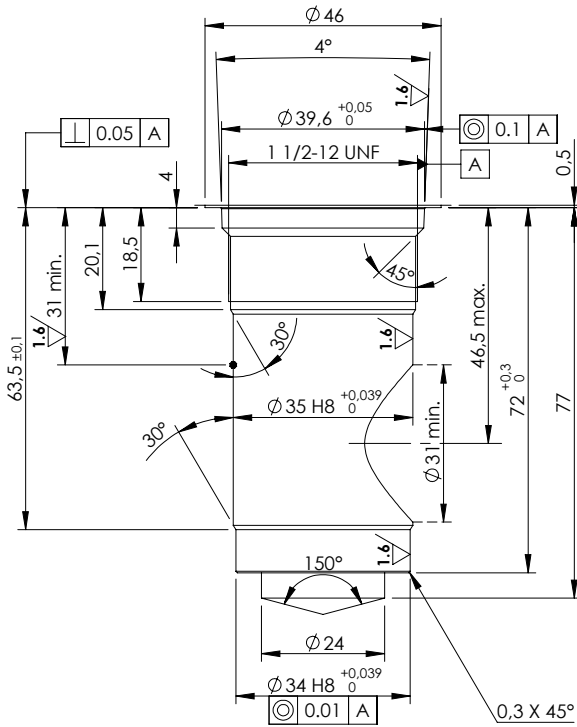
# SPECIAL CAVITIES



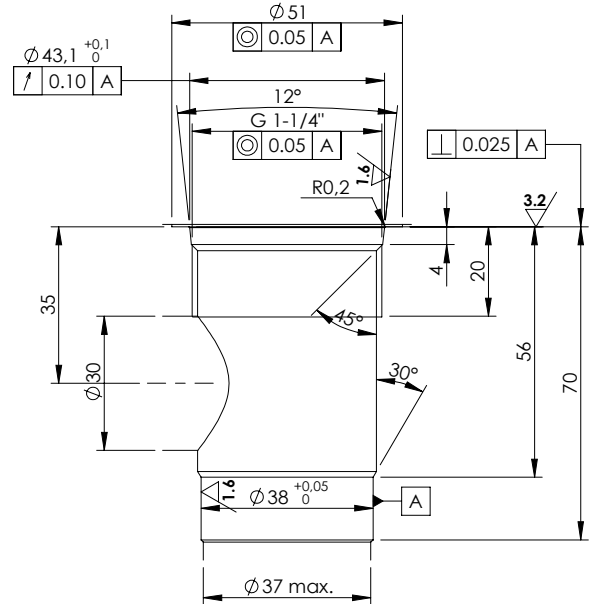
General Tolerances: 

$\varnothing$	0.03
$\perp$	0.02

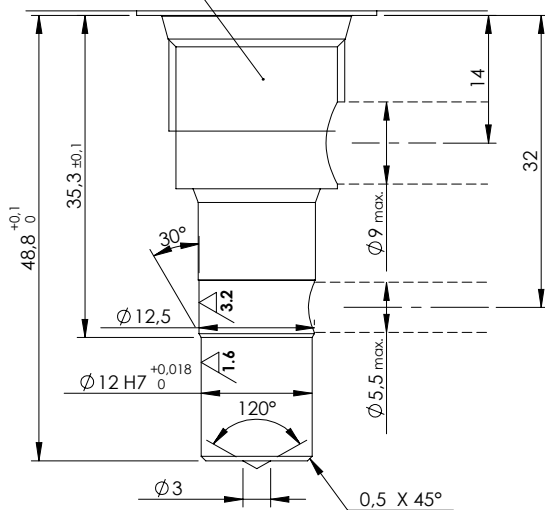
**VP000178**



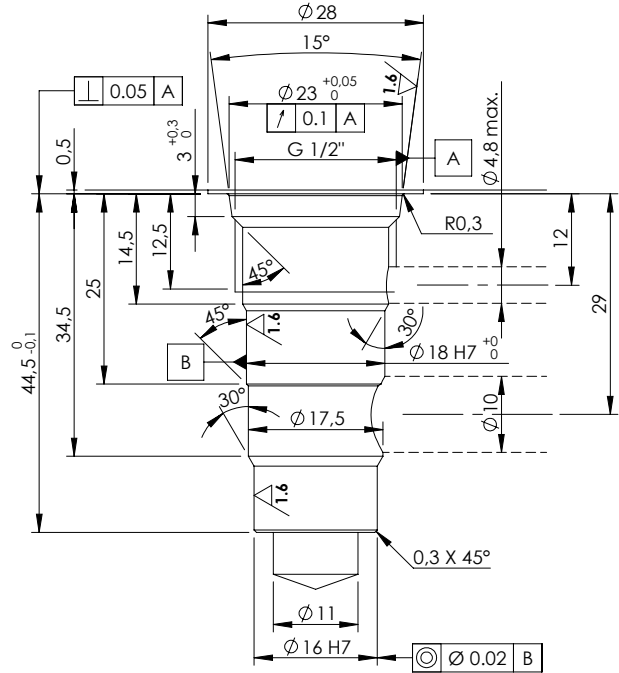
**VP000180**



**Cavity SAE-08-2N VP000193**



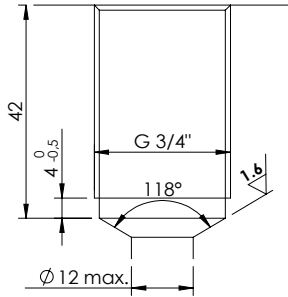
**VP000198**



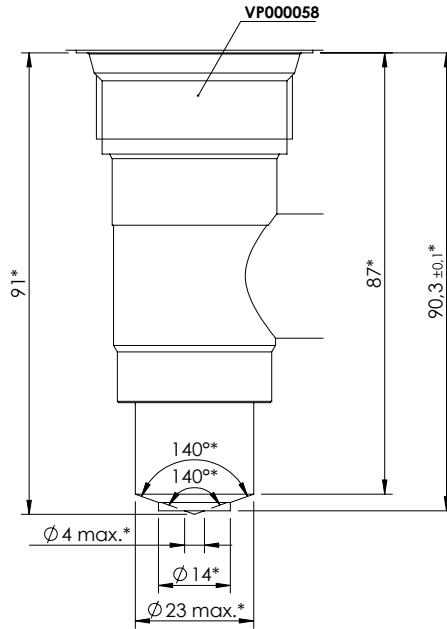
General Tolerances:  $\text{Ⓢ} 0.03$   
 $\text{Ⓢ} 0.02$

# SPECIAL CAVITIES

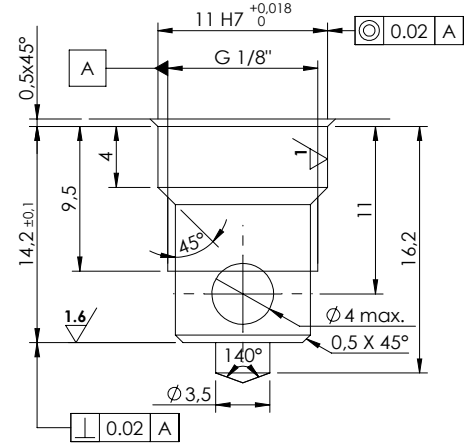
VP000202



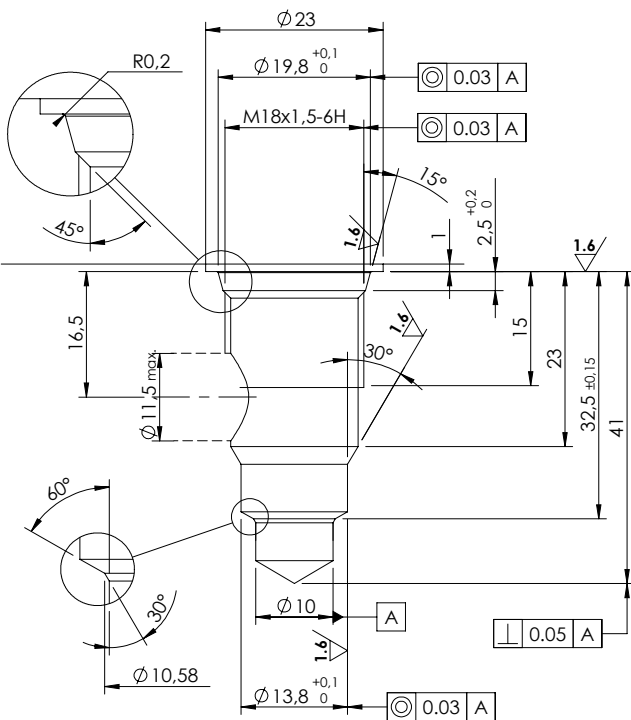
VP000204



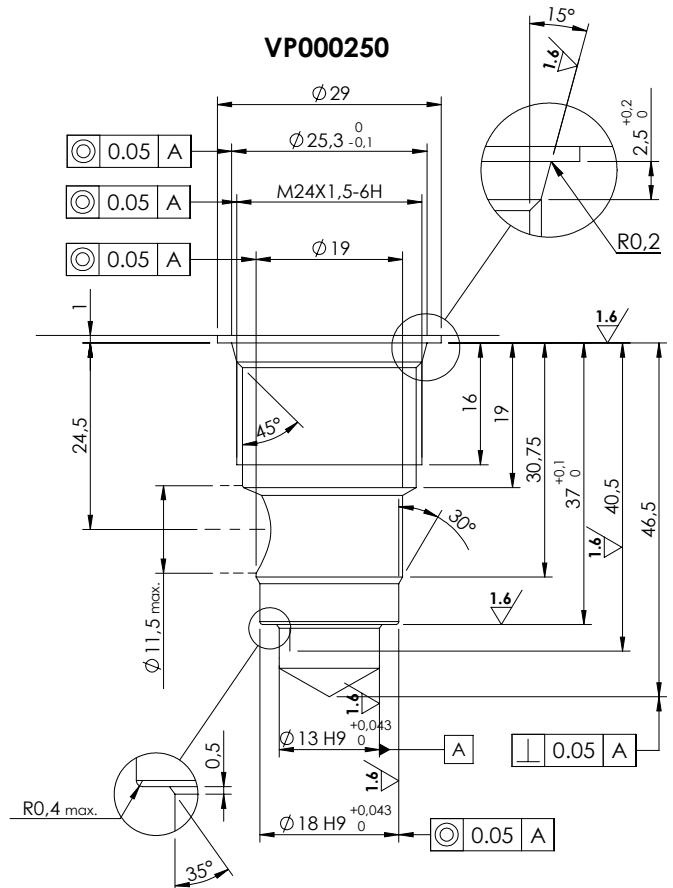
VP000216



VP000249



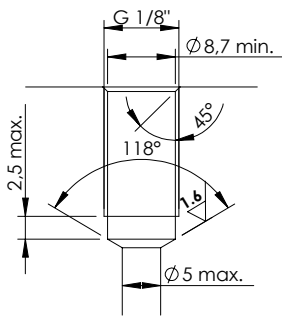
VP000250



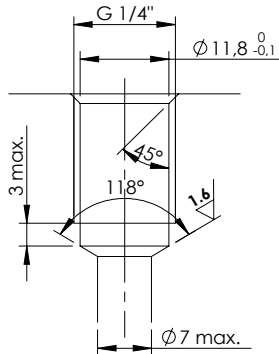
General Tolerances: 

⊙	0.03
⊥	0.02

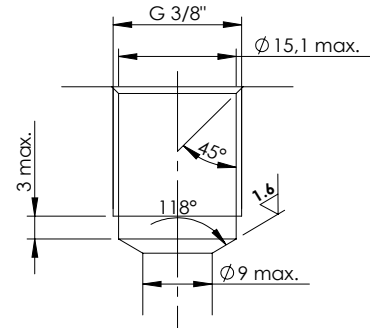
**VP000307**



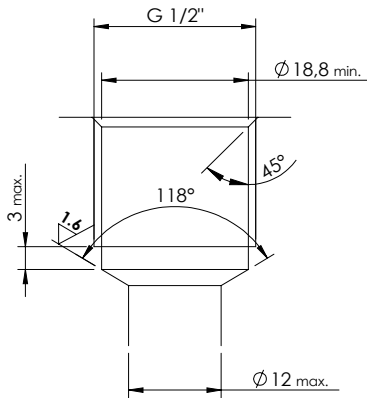
**VP000309**



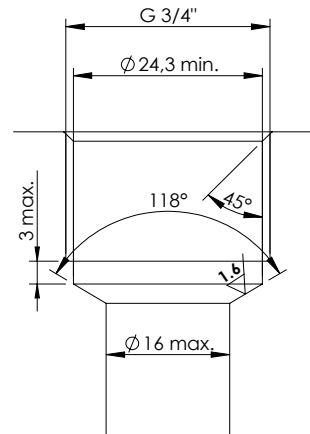
**VP000310**



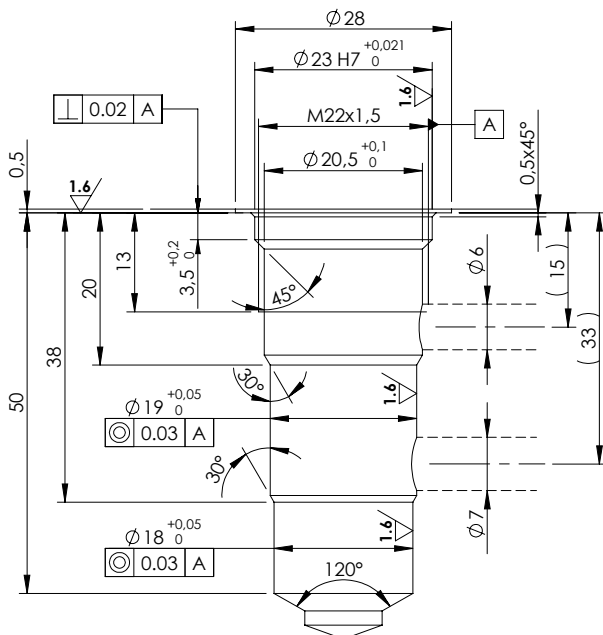
**VP000311**



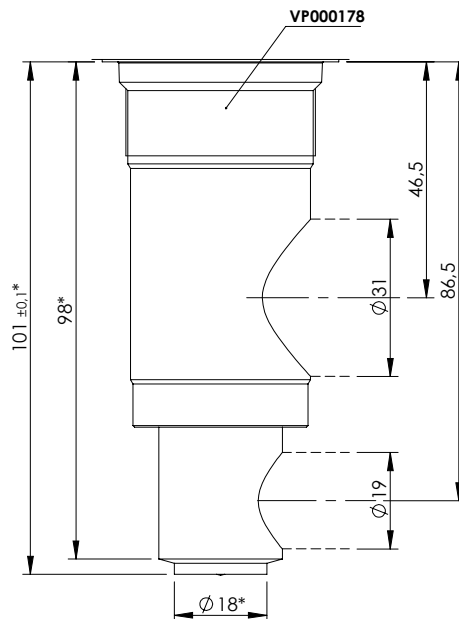
**VP000312**



**VP000314**



**VP000330**

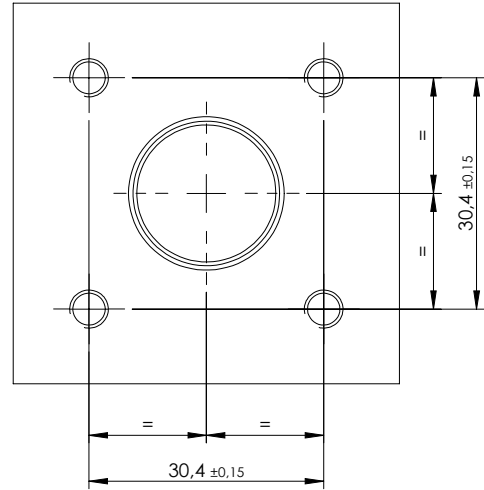
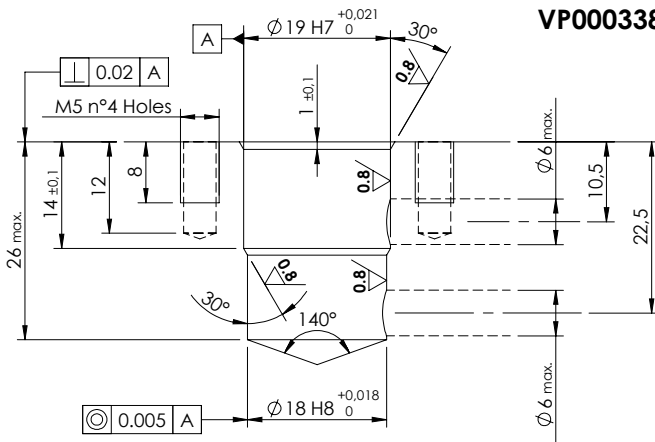


General Tolerances: 

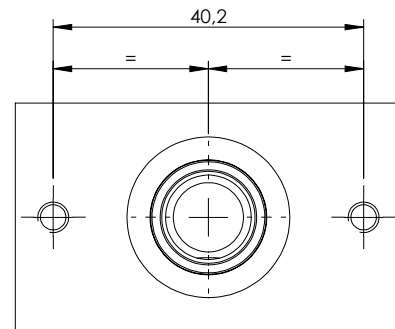
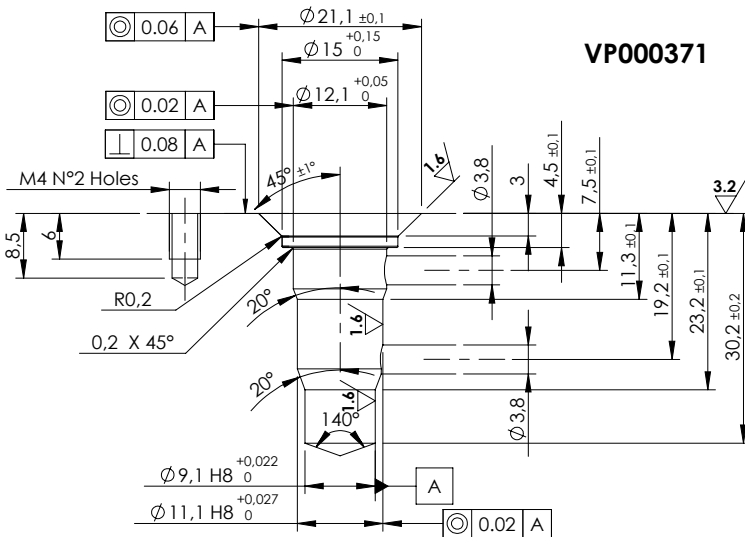
	0.03
	0.02

# SPECIAL CAVITIES

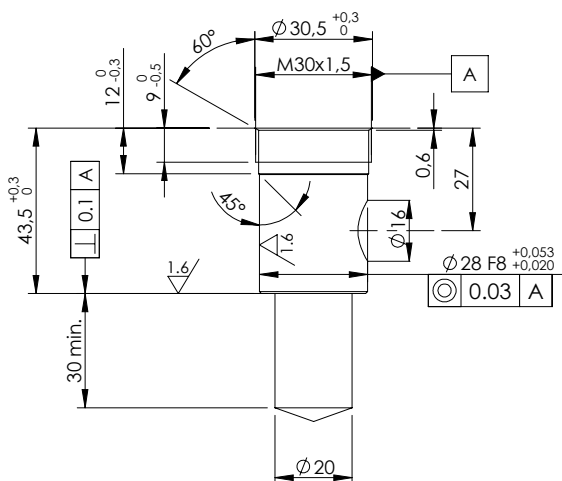
**VP000338**



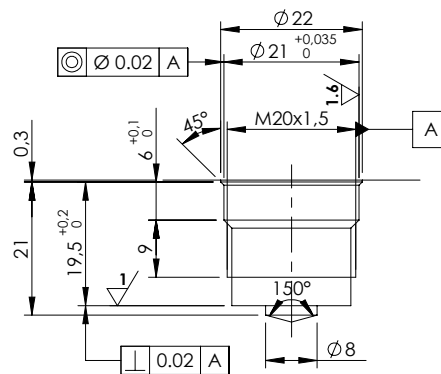
**VP000371**



**VP000388**



**VP000445**

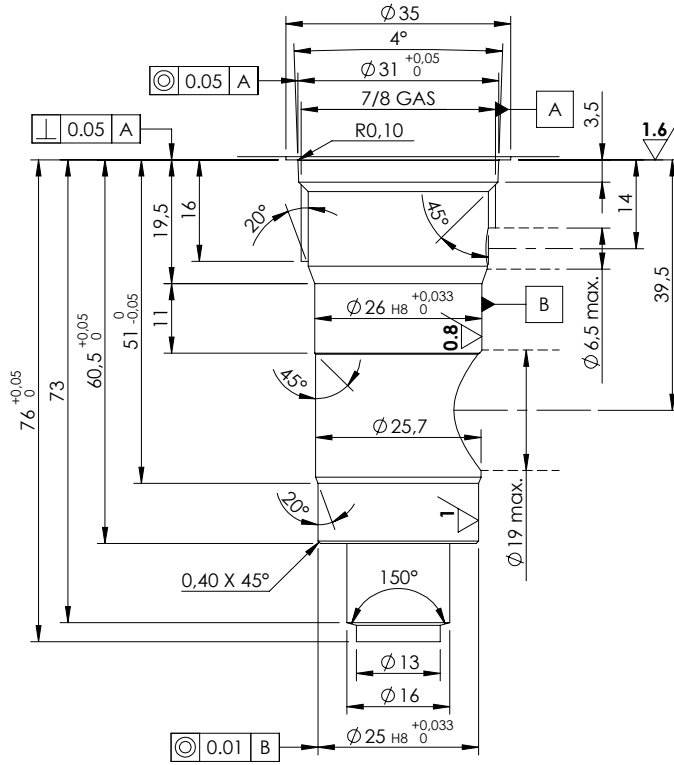


General Tolerances: 

⊙	0.03
⊥	0.02

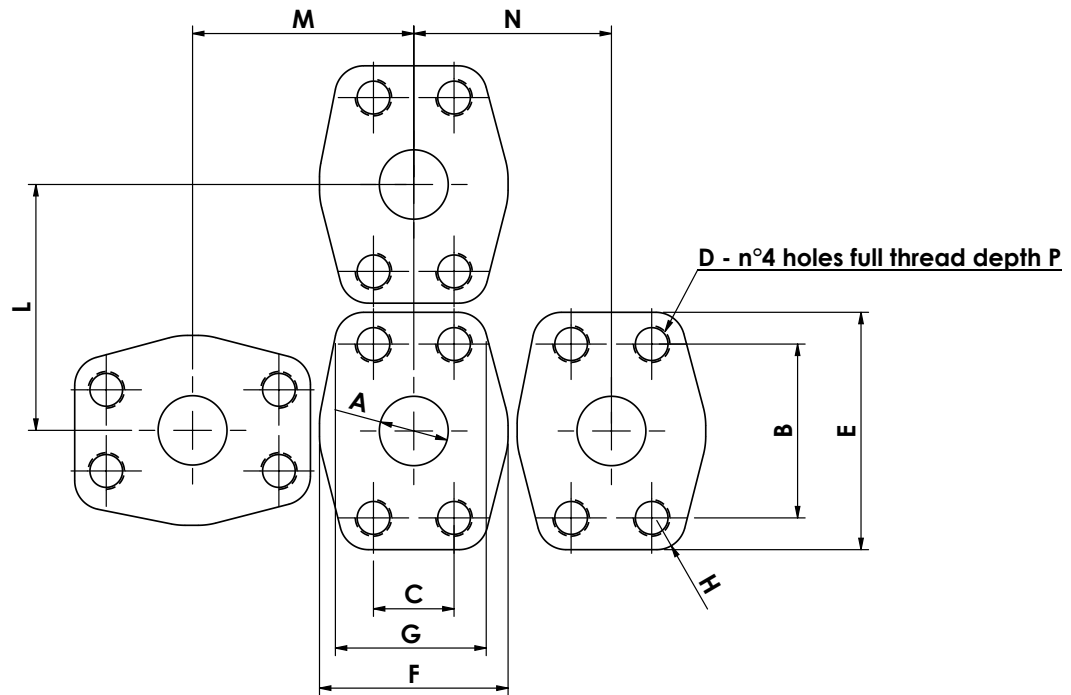


**VP000555**



General Tolerances: 

$\phi$	0.03
$\perp$	0.02



**FLANGE SAE 3000 PSI ( MEDIUM PRESSURE)**

		1/2	3/4	1"	1" 1/4	1" 1/2
<b>A</b>	∅ max.	13	19	25,5	32	38
<b>B</b>	-	38,1	47,6	52,4	58,7	69,9
<b>C</b>	-	17,5	22,2	26,2	30,2	35,7
<b>D</b>	unc-2B	5/16-18	3/8-16	3/8-16	7/16-14	1/2-13
	metric	M8	M10	M10	M10	M12
<b>E</b>	-	54	65	70	79	94
<b>F</b>	-	46	52	59	73	83
<b>G</b>	min.	33	41	48	54	64
<b>H</b>	radius	8	9	9	10	12
<b>L</b>	min.	56	68	72	82	96
<b>M</b>	min.	52	61	67	78	90
<b>N</b>	min.	49	55	61	75	85
<b>P</b>	min. mm	24	22	22	28	27

**FLANGE SAE 6000 PSI ( HIGH PRESSURE)**

		1/2	3/4	1"	1" 1/4	1" 1/2
<b>A</b>	∅ max.	13	19	25,5	32	38
<b>B</b>	-	40,50	50,80	57,2	66,7	79,4
<b>C</b>	-	18,2	23,80	27,8	31,80	36,50
<b>D</b>	unc-2B	5/16-18	3/8-16	7/16-14	1/2-13	5/8-11
	metric	M8	M10	M12	M14	M16
<b>E</b>	-	56	71	81	95	113
<b>F</b>	-	48	60	70	78	95
<b>G</b>	min.	38	48	54	60	70
<b>H</b>	radius	8	10	12	14	17
<b>L</b>	min.	59	75	84	99	116
<b>M</b>	min.	56	70	80	90	108
<b>N</b>	min.	53	66	75	83	101
<b>P</b>	min. mm	21	24	27	25	35