



ATLANTIC
Fluid Tech



OIL SOLUTIONS

**PO Box 38
Strathfieldsaye, VIC, 3551
1800 OIL SOL
1800 645 765**

sales@oilsolutions.com.au

www.oilsolutions.com.au

"For All Your Hydraulic Needs"

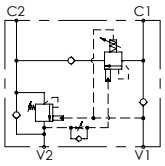
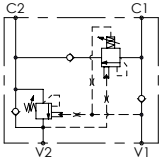
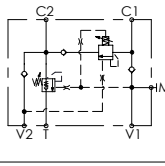
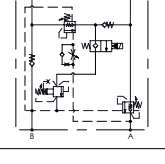
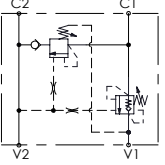
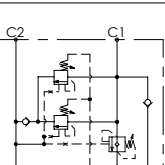
**SECTION
7**

**Regeneratives
Valves**

SECTION 7



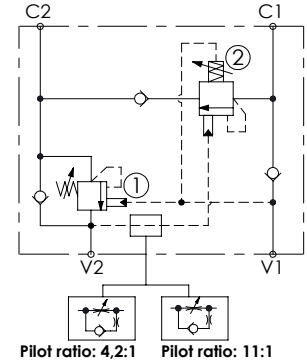
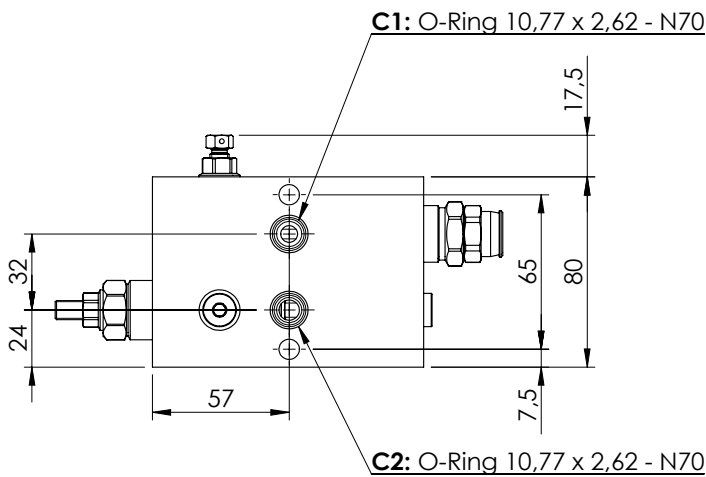
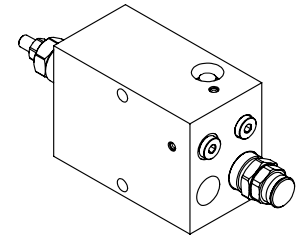
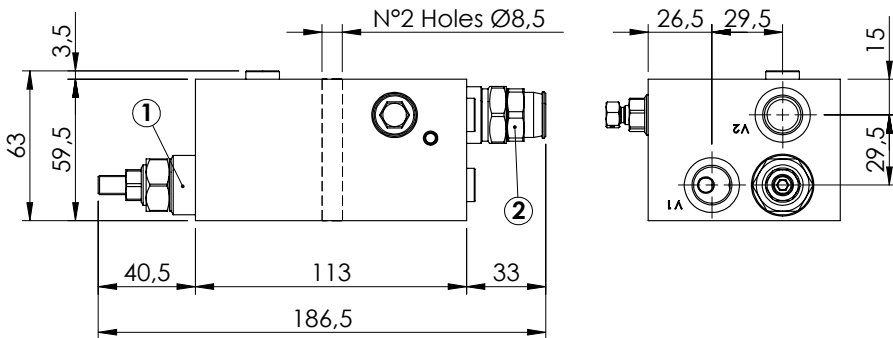
REGENERATIVE VALVES

Hydraulic scheme	Valve description	Valve type	Rated flow (l/min)	Max. pressure (bar)	Installation	Main port size or cavity type	Page
	MRSN-060-ZBNV	Single overcentre with regenerative	60	350	Flanged	G 3/8"	7.01.010
	MRLN-060-ZLNP	Single overcentre with regenerative	60	350	In line	G 1/2"	7.02.020
	MRSN-150-ZLNV	Single overcentre with regenerative	150	350	In line	G 1/2"	7.03.030
	MRDN-100-ZLNV	Double overcentre with regenerative	100	350	In line	G 3/4"	7.04.040
	MRSN-300-ABNV	Single overcentre with regenerative	300	420	Flanged	3/4" SAE 6000	7.05.050
	MRSN-300-ABNE	Single overcentre with double regenerative	500	420	Flanged	1"-1/4 SAE 6000	7.06.060

REGENERATIVE VALVE

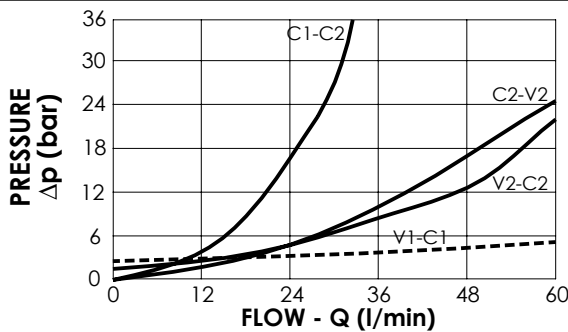
MRSN-060-ZBNV

REGENERATIVE



SPECIFICATIONS

Max. operating pressure:	350 bar
Rated flow:	60 l/min
Manifold:	Aluminium
Weight:	1,6 kg



NOTES

Setting: at least 1.3 times the load induced pressure
 Designed for aerial platforms

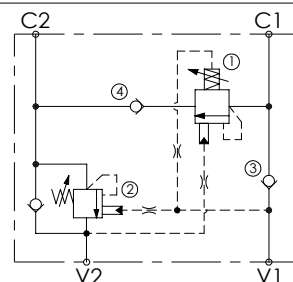
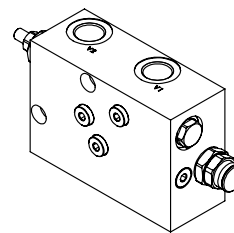
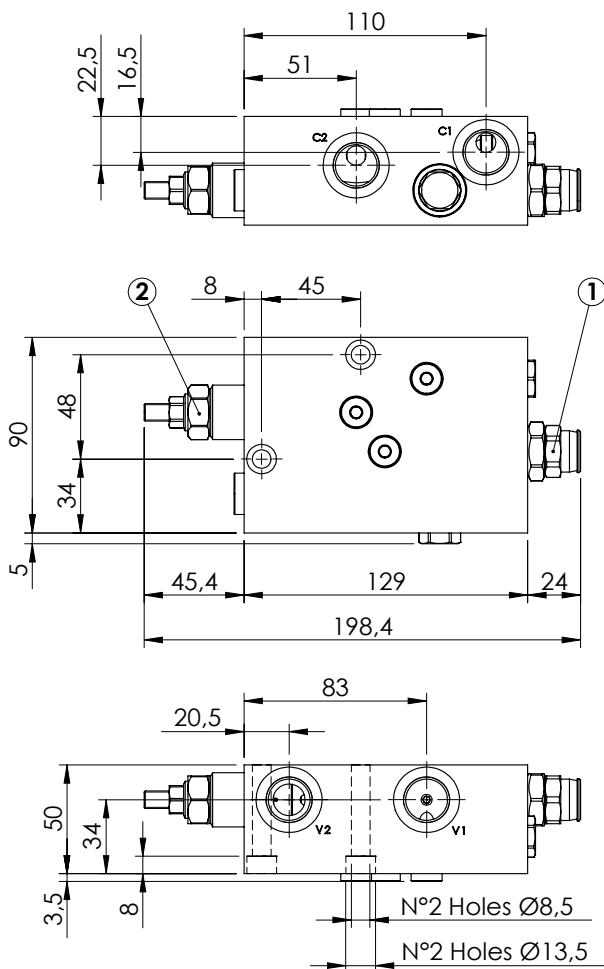
ORDERING CODES

Quick code	Description	Pilot ratio	Main ports size	Standard setting (bar, Q=5 l/min)	Adjust. range (bar)	Pressure increase (bar/turn)
MB000035	MRSN-060-ZBNV-11-G38-N350	11:1	V1,V2 : G3/8" C1,C2 : Ø 7	350	100-350	69
MB000085	MRSN-060-ZBNV-04-G38-N350	4,2:1	V1,V2 : G3/8" C1,C2 : Ø 7	350	100-350	139

REGENERATIVE VALVE

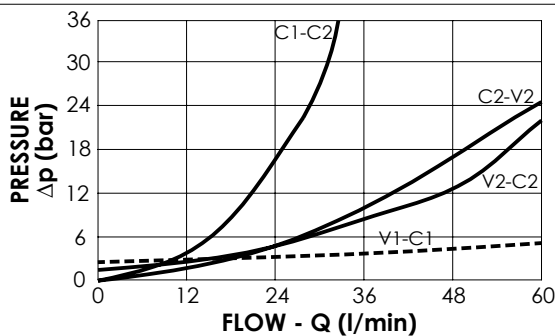
MRSN-060-ZLNP

REGENERATIVE



SPECIFICATIONS

Max. operating pressure:	350 bar
Rated flow:	60 l/min
Manifold:	Aluminium
Weight:	1,71 kg



NOTES

Setting: at least 1.3 times the load induced pressure

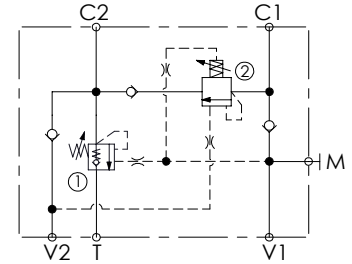
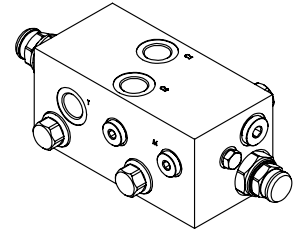
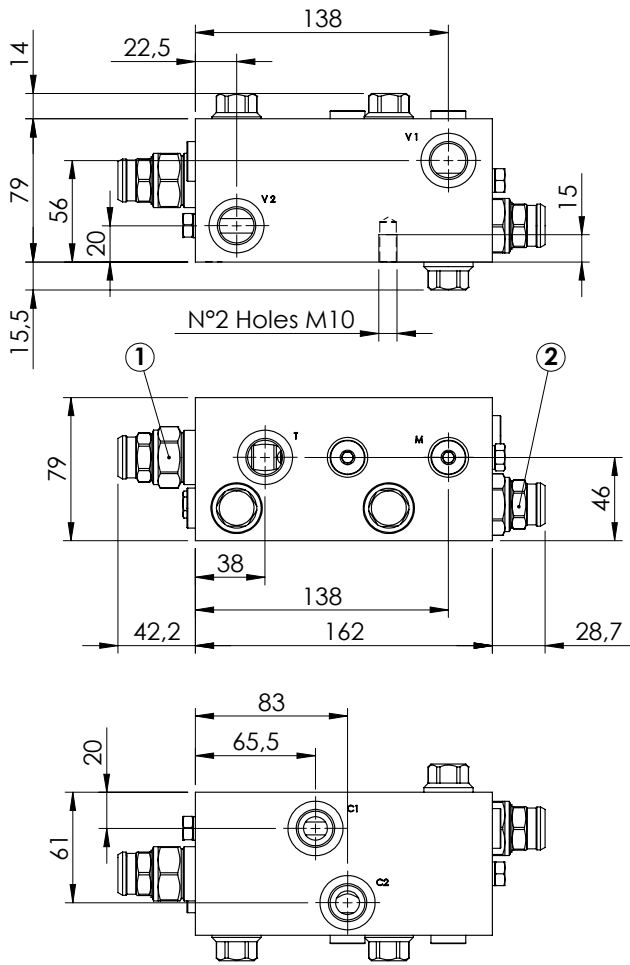
ORDERING CODES

Quick code	Description	Pilot ratio	Main ports size	Standard setting (bar, Q=5 l/min)	Adjust. range (bar)	Pressure increase (bar/turn)
MB000150	MRSN-060-ZLNP-04-G12-N350	4,2:1	V1,V2,C1,C2 : G 1/2"	170	60-210	62

REGENERATIVE VALVE

MRSN-150-ZLNV

REGENERATIVE

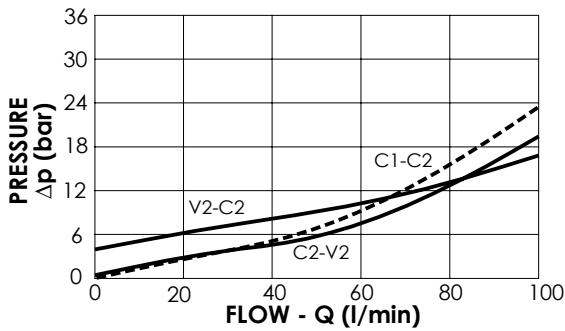


SPECIFICATIONS

Max. operating pressure:	350 bar
Rated flow:	150 l/min
Manifold:	Aluminium
Weight:	3,18 kg

NOTES

Setting: at least 1.3 times the load induced pressure
Designed for truck mounted cranes



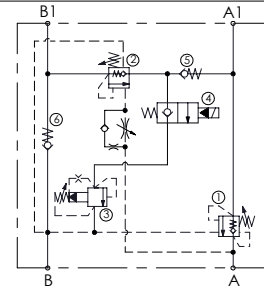
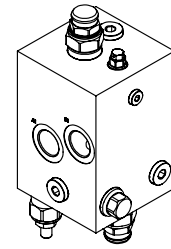
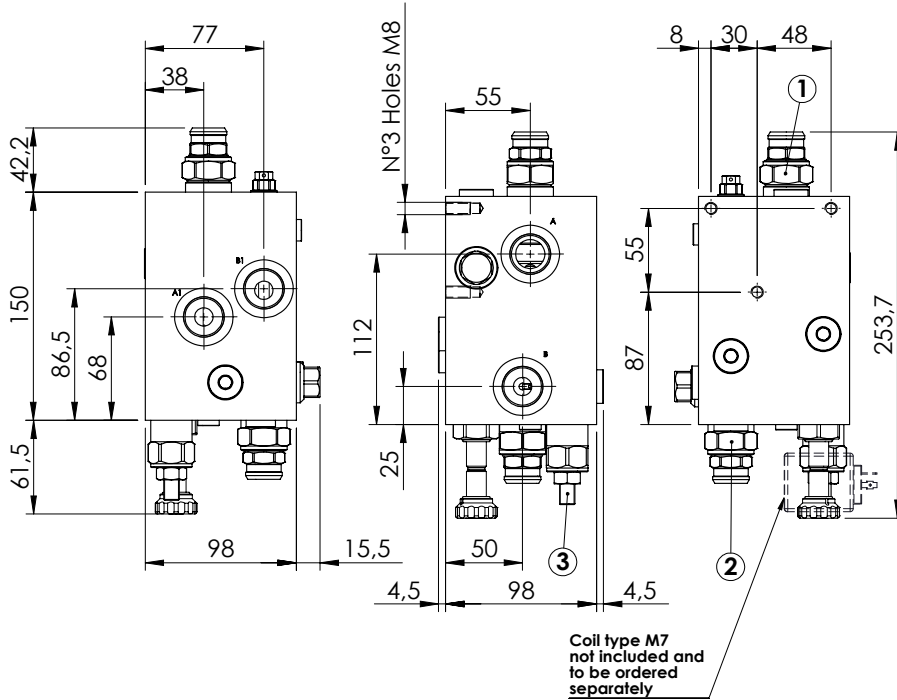
ORDERING CODES

Quick code	Description	Pilot ratio	Main ports size	Standard setting (bar, Q=5 l/min)	Adjust. range (bar)	Pressure increase (bar/turn)
MB000113	MRSN-150-ZLNV-04-G12-N350	4:1	V1,V2,C1,C2,T : G1/2" M: G1/4"	350	100-350	104

REGENERATIVE VALVE

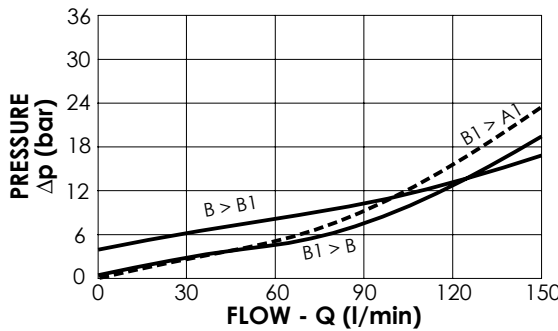
MRDN-150-ZLNV

REGENERATIVE



SPECIFICATIONS

Max. operating pressure:	210 bar
Rated flow:	100 l/min
Manifold:	Aluminium
Weight:	4,62 kg
Coil type:	M7



NOTES

Setting: at least 1.3 times the load induced pressure
 Designed for truck mounted cranes
 See chapter 18.00.000 for coils.

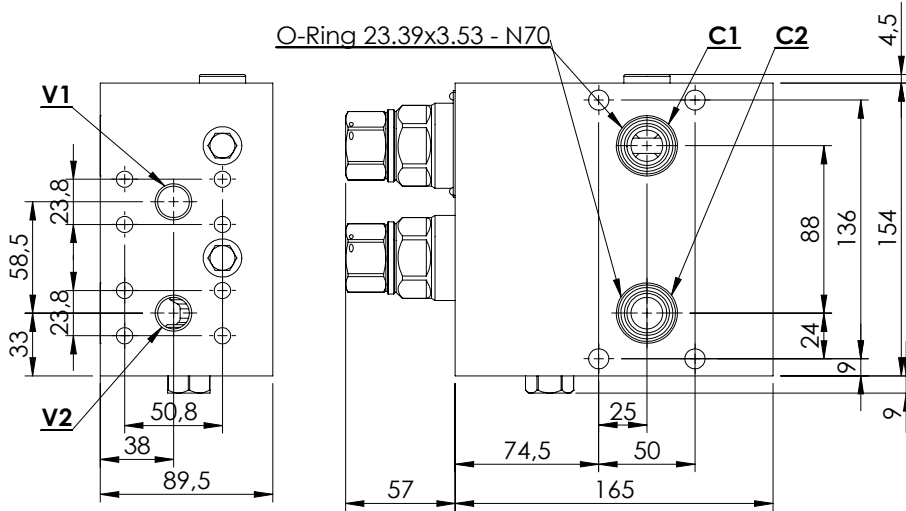
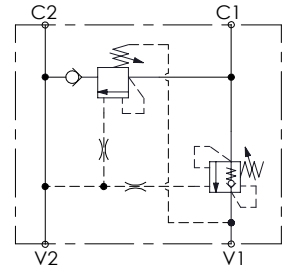
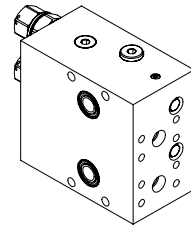
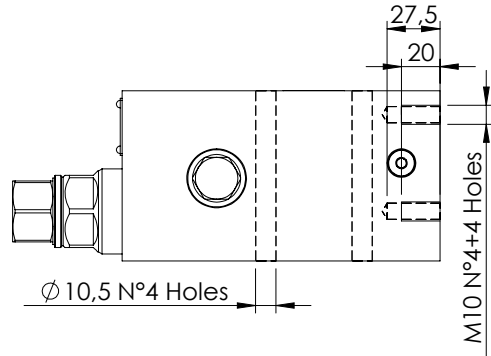
ORDERING CODES

Quick code	Description	Pilot ratio	Main ports size	Standard setting (bar, Q=5 l/min)	Adjust. range (bar)	Pressure increase (bar/turn)
MB000476	MRDN-100-ZLNV-04-G34-N210	4:1	A,A1,B,B1 : G3/4"	①② 350 ③ 350	①② 100-350 ③ 140-350	①② 103 ③ 114

REGENERATIVE VALVE

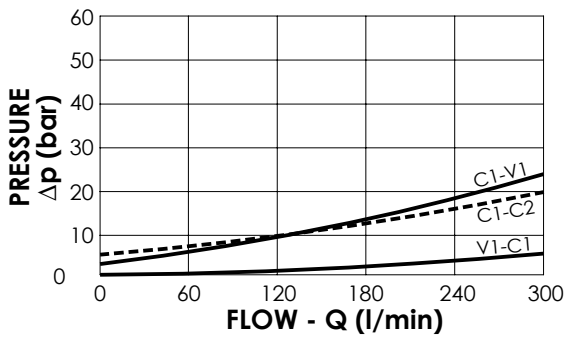
MRSN-300-ABNV

REGENERATIVE



SPECIFICATIONS

Max. operating pressure:	420 bar
Rated flow:	300 l/min
Manifold:	Steel
Weight:	16,86 kg



NOTES

Setting: at least 1.3 times the load induced pressure

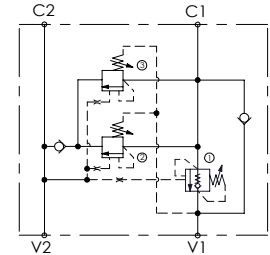
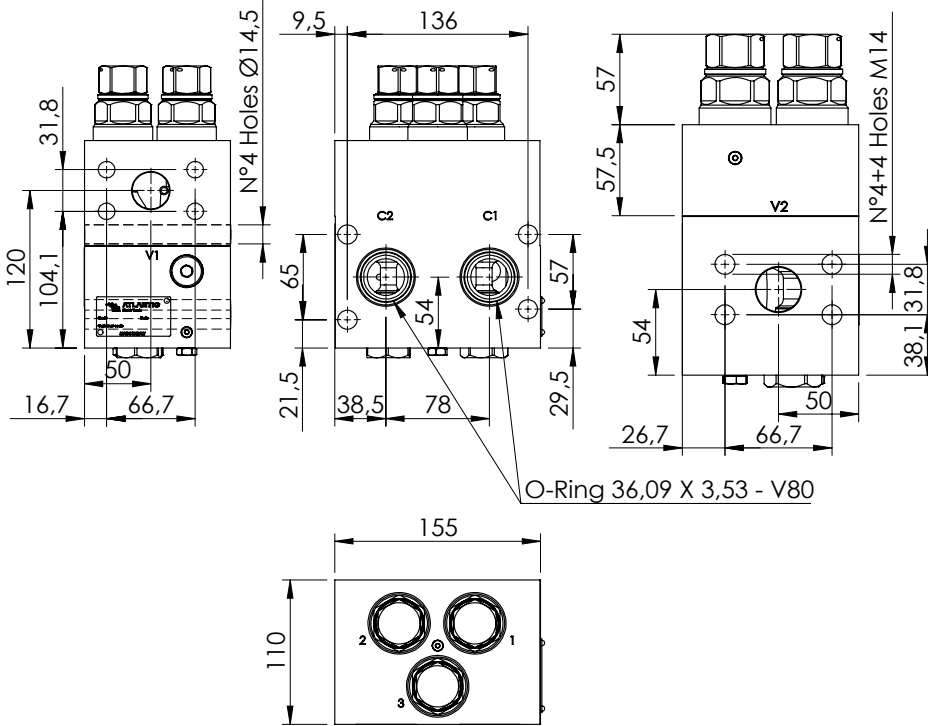
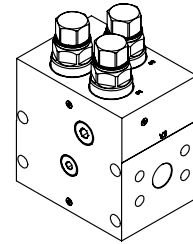
ORDERING CODES

Quick code	Description	Pilot ratio	Main ports size	Standard setting (bar, Q=5 l/min)	Adjust. range (bar)	Pressure increase (bar/turn)
MB000816	MRSN-300-ABNV-06-S34-N420	6:1	V1,V2: 3/4" SAE 6000 C1,C2: Ø16,5	250	120-360	122

REGENERATIVE VALVE

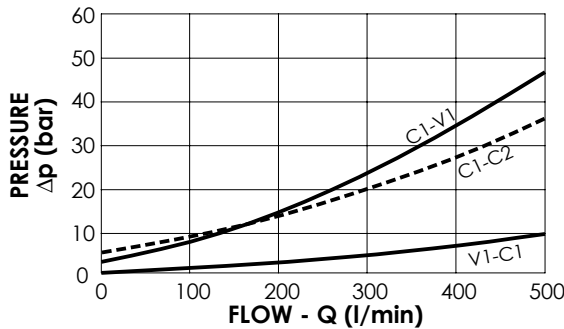
MRSN-300-ABNE

REGENERATIVE



SPECIFICATIONS

Max. operating pressure:	420 bar
Rated flow:	300 l/min
Manifold:	Steel
Weight:	18,82 kg



NOTES

Designed for crusher scissors
Valve for heavy duty working cycles with viton seals and reinforced plugs

ORDERING CODES

Quick code	Description	Pilot ratio	Main ports size	Standard setting (bar, Q=5 l/min)	Adjust. range (bar)	Pressure increase (bar/turn)
MB000132	MRSN-300-ABNE-06-S11-V420	6:1	V1,V2: 1-1/4 SAE 6000 C1,C2: Ø 28	250	120-360	104