



Level switch for top tank installation

NS OM-61... / NS OM-63-KN-... / NS OM-VA / NS OM-64 Easyjust

Installation and Operation Instructions

Original instructions



1800-OILSOL
1800-645765

<https://oilsolutions.com.au/>

sales@oilsolutions.com.au





Bühler Technologies GmbH, Harkortstr. 29, D-40880 Ratingen
Tel. +49 (0) 21 02 / 49 89-0, Fax: +49 (0) 21 02 / 49 89-20
Internet: www.buehler-technologies.com
E-Mail: fluidcontrol@buehler-technologies.com

Read this instruction carefully prior to installation and/or use. Pay attention particularly to all advises and safety instructions to prevent injuries. Bühler Technologies can not be held responsible for misusing the product or unreliable function due to unauthorised modifications.

All rights reserved. Bühler Technologies GmbH 2021

Document information

Document No..... BE100010
Version..... 03/2021



1800-OILSOL
1800-645765

<https://oilsolutions.com.au/>

sales@oilsolutions.com.au

Table of Contents

1	Introduction.....	2
1.1	Intended Use.....	2
1.2	Functionality.....	2
1.2.1	Liquid level monitoring	2
1.3	Model key NS OM-61, 64	3
1.4	Model key NS OM-63	3
1.5	Model key NS OM-VA.....	3
1.6	Scope of Delivery.....	3
2	Safety instructions.....	4
2.1	Important advice	4
2.2	General hazard warnings	5
3	Transport and storage	6
4	Setup and Connection	7
4.1	Installation	7
4.2	Electrical connections	7
4.3	Information on the correct operation of reed contacts in Bühler level switches.....	7
4.4	Adjusting contacts after the fact	8
4.4.1	Model NS OM 61.....	9
4.4.2	Model NS OM 64	10
4.5	Retrofitting the transducer tube	11
5	Operation and control	12
6	Cleaning and Maintenance.....	13
7	Service and repair.....	14
8	Disposal	15
9	Appendices.....	16
9.1	Technical Data NS-OM	16
9.2	Technical Data NS-OM-VA	18
9.3	Pin Assignment	19
9.4	Definitions.....	20
10	Attached documents	21



1 Introduction

1.1 Intended Use

The level switches are used to monitor liquid levels in tanks. They were designed specifically to be installed on tank tops. The liquid level can be read on the scale. Up to four switching contacts or a Reed-contact also enable electronic liquid level monitoring.

Different versions also allow for use in aggressive mediums.

Please refer to the technical data in the appendix for the specific intended use and available material combinations.

WARNING



All device models are solely intended for industrial applications. They are **not safety components**. The devices must not be used if failure or malfunction thereof jeopardises the safety and health of persons. Use in explosive areas is **prohibited**.

1.2 Functionality

1.2.1 Liquid level monitoring

In a number of applications it's beneficial to combine visual and electrical liquid level monitoring. The display above the tank is often easiest to see. This is where the NS-OM level switch is used.

This device can be used with deep tanks to transmit the level display to a higher, visible level.

Another benefit of this device is that part in contact with media do not have solenoids, hence no additional metallic particles (e.g. from shavings in the coolant) can deposit on the float.

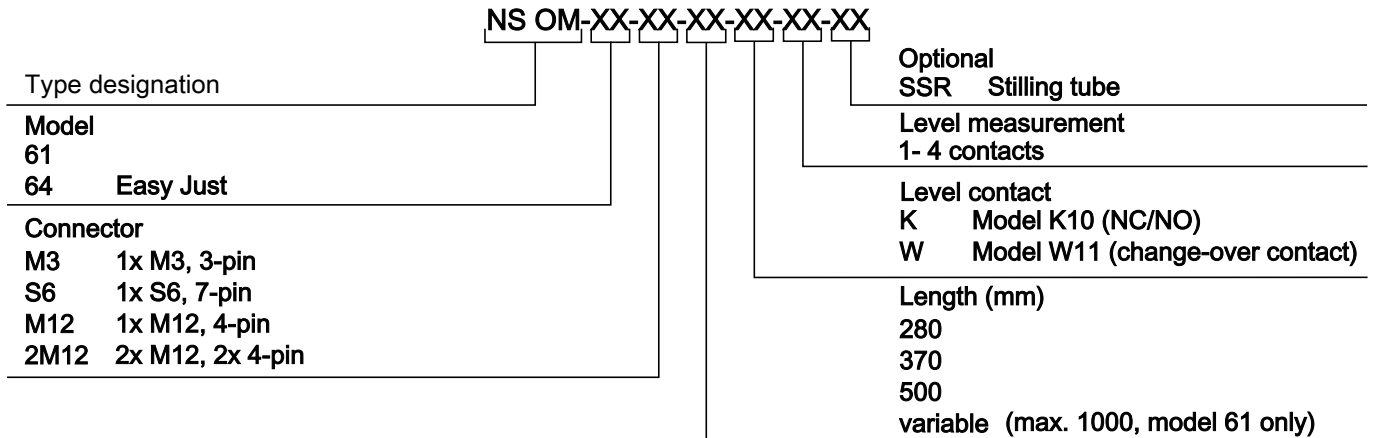


1800-OILSOL
1800-645765

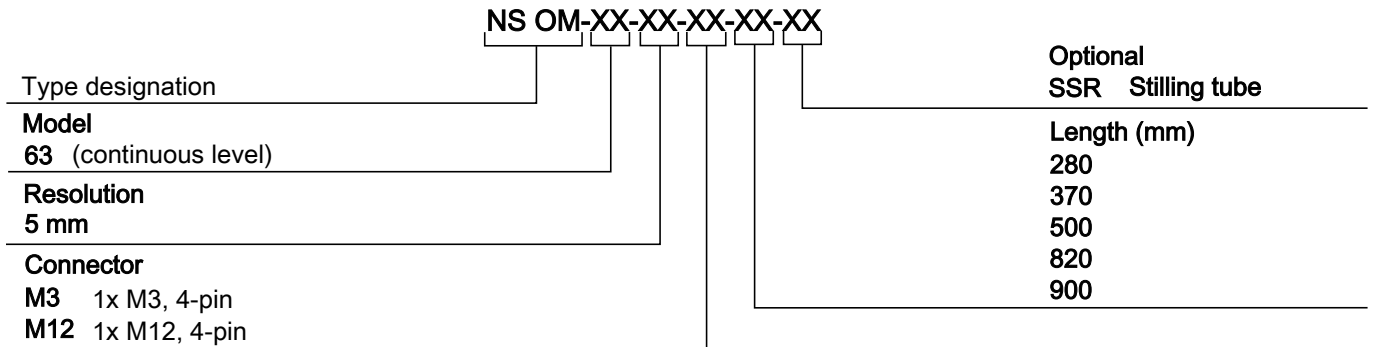
<https://oilsolutions.com.au/>

sales@oilsolutions.com.au

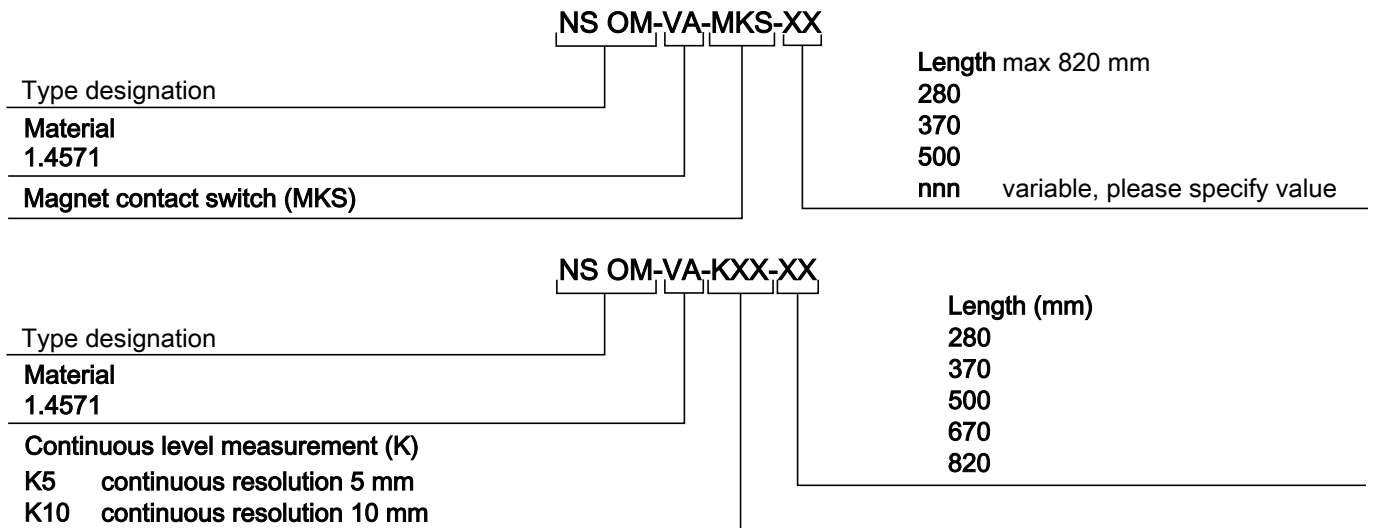
1.3 Model key NS OM-61, 64



1.4 Model key NS OM-63



1.5 Model key NS OM-VA



1.6 Scope of Delivery

- Level switch
- Product documentation
- Connection/mounting accessories (optional)



1800-OILSOL
1800-645765

<https://oilsolutions.com.au/>

sales@oilsolutions.com.au

2 Safety instructions

2.1 Important advice

Operation of the device is only valid if:

- the product is used under the conditions described in the installation- and operation instruction, the intended application according to the type plate and the intended use. In case of unauthorized modifications done by the user Bühler Technologies GmbH can not be held responsible for any damage,
- when complying with the specifications and markings on the nameplates.
- the performance limits given in the datasheets and in the installation- and operation instruction are obeyed,
- monitoring devices and safety devices are installed properly,
- service and repair is carried out by Bühler Technologies GmbH,
- only original spare parts are used.

This manual is part of the equipment. The manufacturer keeps the right to modify specifications without advanced notice. Keep this manual for later use.

Signal words for warnings

DANGER	Signal word for an imminent danger with high risk, resulting in severe injuries or death if not avoided.
WARNING	Signal word for a hazardous situation with medium risk, possibly resulting in severe injuries or death if not avoided.
CAUTION	Signal word for a hazardous situation with low risk, resulting in damaged to the device or the property or minor or medium injuries if not avoided.
NOTICE	Signal word for important information to the product.

Warning signs

These instructions use the following warning signs:

	Warns of a general hazard		Unplug from mains
	Voltage warning		Wear respiratory equipment
	Warns not to inhale toxic gasses		Wear a safety mask
	Warns of corrosive liquids		Wear gloves
	General information		

2.2 General hazard warnings

The equipment must be installed by a professional familiar with the safety requirements and risks.

Be sure to observe the safety regulations and generally applicable rules of technology relevant for the installation site. Prevent malfunctions and avoid personal injuries and property damage.

The operator of the system must ensure:

- Safety notices and operating instructions are available and observed,
- The respective national accident prevention regulations are observed,
- The permissible data and operational conditions are maintained,
- Safety guards are used and mandatory maintenance is performed,
- Legal regulations are observed during disposal,
- compliance with national installation regulations.

Maintenance, Repair

Please note during maintenance and repairs:

- Repairs to the unit must be performed by Bühler authorised personnel.
- Only perform conversion-, maintenance or installation work described in these operating and installation instructions.
- Always use genuine spare parts.
- Do not install damaged or defective spare part. If necessary, visually inspect prior to installation to determine any obvious damage to the spare parts.

Always observe the applicable safety and operating regulations in the respective country of use when performing any type of maintenance.

The method for cleaning the devices must be adapted to the IP protection class of the devices. Do not use cleaners which could damage the device materials.

DANGER

Toxic, acidic gases/liquids

Protect yourself from toxic, corrosive gasses/liquids when performing any type of work. Wear appropriate protective equipment.



3 Transport and storage

Only transport the product inside the original packaging or a suitable alternative.

The equipment must be protected from moisture and heat when not in use. It must be stored in a covered, dry, dust-free room at room temperature.



1800-OILSOL
1800-645765

<https://oilsolutions.com.au/>

sales@oilsolutions.com.au

4 Setup and Connection

Every switch has a display. The sight glass is made from polycarbonate and mounted to the indicator scale. The indicator has a scale and, as the unit, is made from stainless steel.

The solenoid switches (type MKS) are flush mounted to the indicator scale and are variable. When installing the solenoid switches on opposite sides, small changes in the liquid level can also be monitored.

The solenoid switches are available as change-over contact or simple NC/NO contact. Please refer to the appendix for the terminal configuration and technical data of the contacts.

Level switch with transducer tube (4 – 20 mA output): If the level switch is equipped with transducer tube for continuous liquid level monitoring, the solenoid switches can only be installed on the left side of the indicator scale. The transducer is factory set (4 mA = tank empty; 20 mA = tank full) and must not be changed.

4.1 Installation

The level switches (transmitters) come fully assembled and can be mounted to the tank using the included screws and seals. Please be sure the float can move freely and to leave enough space between the tank wall and add-ons.

4.2 Electrical connections

DANGER

Electric voltage

Risk of electric shock

- Always disconnect the unit from the mains before performing work.
- Secure the equipment from accidental restarting.
- The equipment may only be installed, maintained and put into operation by instructed, competent personnel.
- Always observe the applicable safety regulations for the operating site.



Please refer to the compatibility charts in the appendix for the pin assignment and the electrical data. Proceed as follows: For NS OM-61 or NS OM-64, select (per your order) the plug type, contact type and the number of contacts. For NS OM 63-KN (continuous level measurement 4-20 mA), select the pin assignment for the M3 or M12 plug.

For version NS OM-VA-MKS, the contacts are included as a separate line item. The MKS contacts are installed by the customer. The technical data for the individual NC and NO contacts, please see the end of these instructions.

4.3 Information on the correct operation of reed contacts in Bühler level switches

Based on their construction, reed contacts are very long lasting and reliable components. Yet the following should be considered when using them:

Life of reed switches

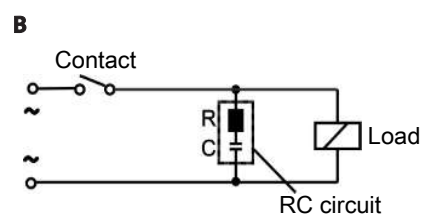
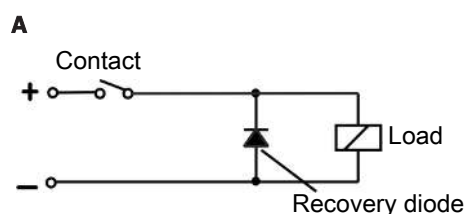
The life of reed switches can be up to 10^9 cycles. This is reduced by high stress and / or incorrect or the absence of protective circuits when switching inductive, capacitive or lamp loads.

It's therefore important to ensure NEVER to exceed one or several of the maximum approved limits, even temporarily, and to install a contact protective circuit for loads which are not purely ohmic. Using test lamps when installing the devices is also prohibited, as these can temporarily allow too much current to flow, which can damage the reed contacts. In this case non-volatile testing equipment should always be used.

Contact protective circuits for reed switches

For direct current voltage a recovery diode per figure A must be connected parallel to the contact.

For alternating current voltage an RC circuit per Figure B and Table 1 must be connected parallel to the contact.



Load in VA	10		25		50	
	Voltage at contact V	R/Ohm	C/μF	R/Ohm	C/μF	R/Ohm
24	22	0.022	1	0.1	1	0.47
60	120	0.0047	22	0.022	1	0.1
110	470	0.001	120	0.0047	22	0.022
230	470	0.001	470	0.001	120	0.0047

Please note the max. voltage/load ratings of the respective level contacts!

Voltages and currents

All Bühler level contacts with reed switch can switch minimal Switching voltages of 10 μV and minimal switching currents of 1 μA.

The maximum values specified for the respective contact types apply.

Level contact with reed switches can therefore be used for SPS applications as well as for high loads (within the maximum limits) without hesitation.

Contact material

All reed switches in Bühler level contacts use rhodium as the contact material for the actual contact areas.

Magnetic fields

Avoid external magnetic fields, including from electric motors. These can interfere with the function of the reed switches.

Mechanical loads

Do not expose the level switch to strong blows or bending.

4.4 Adjusting contacts after the fact

NOTICE



Some level switches also have electronic assemblies on the perforated rail depending on the model. These are positioned so they do not limit the setting range of the contacts. Please take appropriate measures so as not to damage the electronic assemblies when installing and removing the contacts. Model in the 63-KN and NS OM-VA-K series supply a continuous 4-20 mA analogue signal (normally: 4 mA lowest point, 20 mA highest point). These devices require no configuration.

DANGER



Electrical voltage

Electrocution hazard.

- Disconnect the device from power supply.
- Make sure that the equipment cannot be reconnected to mains unintentionally.
- The device must be opened by trained staff only.
- Regard correct mains voltage.



WARNING



Fluids or gases discharged at high pressure harmful to the environment or health

- Depressurise the system/component prior to installation.
- Drain the system/component in accordance with environmental regulations. Wear suitable protective clothing.



1800-OILSOL
1800-645765

<https://oilsolutions.com.au/>

sales@oilsolutions.com.au

4.4.1 Model NS OM 61

The contacts actuated by the float are attached to a perforated rail inside the contact tube. They are factory installed based on the order data and can later be moved higher or lower (note minimum spacing!). Proceed as follows:

- Disconnect the voltage supply.
- Disconnect connectors or open plug housing and undo connections!
- Unscrew the plug base.
- Carefully pull the perforated rail with contacts out the top.

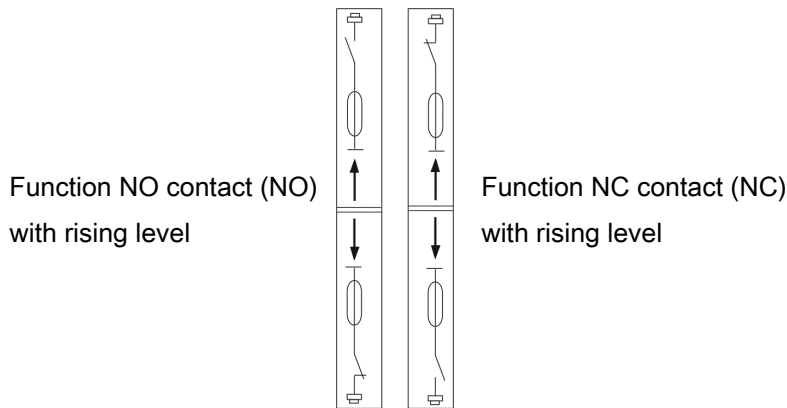
NOTICE



On versions with earth wire, this is run as a loop and soldered to the protective tube from the inside in the insertion direction. To prevent breaking off the earth wire it should not be pulled all the way out.

We recommend marking the original contact position for checking purposes. The contacts can then be locked into place in the desired position on the perforated rail. The contacts are installed as NO, NC or changeover based on the order. Since these are bistable contacts, the contact function of the NO or NC contact can later be changed. To do so, simply turn the contacts 180°.

The contact symbols for NO and NC are marked on the housing. Below the respective symbol you will also see an arrow. The arrow, which points up when installed, indicates the respective contact function (see drawing).



The contact logic assumes the level switch is installed in an empty tank, i.e. it is only in the operating position once filled.

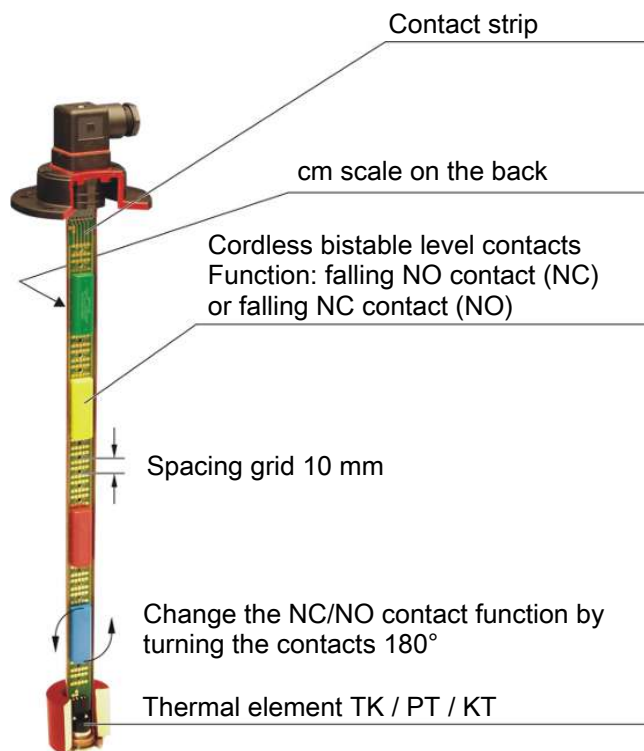
After positioning the contacts, slide the perforated rail back into the protective tube. Please route the additional cable lengths required to move the contacts as a loop and insert along with the perforated rail.

If the loop for the earth lead was removed from the protective tube, first insert this lead again, then slide in the perforated rail. Screw on the plug base or the plug housing.

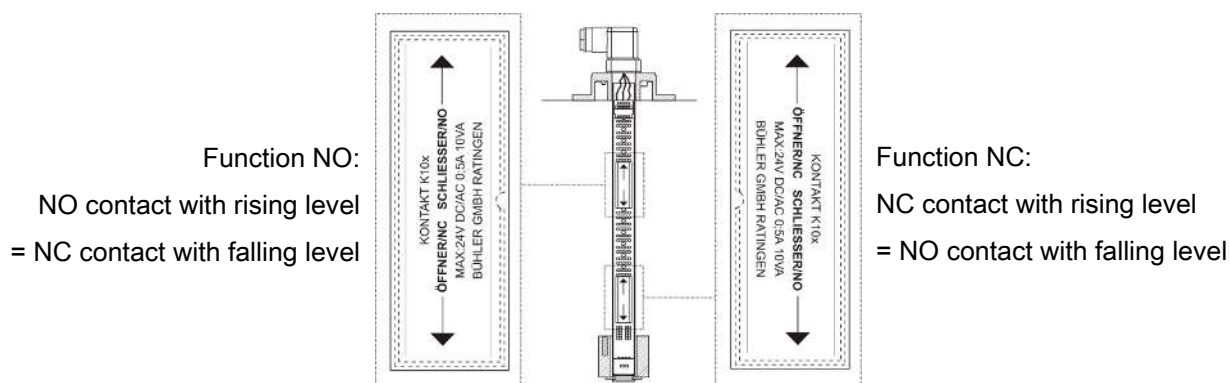
4.4.2 Model NS OM 64

The contacts required for the float are mounted to a galvanically gold-plated with cm scale with plastic screws. The contact housings have different colours and may only be mounted to the contact strip in the following order.

NC contact / NO contact	Changeover contact
Green	White
Yellow	Black
Red	
Blue	



Any other assignment may result in malfunctions. The level contacts are arranged per order specifications at the factory but may later be moved along a 10 mm grid. The falling NC contact (NO) or falling NO contact (NC) contact function may also be changed by turning the contact housings 180°. The housing has two arrows. The arrow pointing up indicates the current contact function.



- Disconnect the voltage supply.
- Disconnect connectors!
- Unscrew the plug base and carefully pull out the top along with the adapter plug and the contact rail!

NOTICE



When working on the easyjust board (contact rail), the area must be absolutely clean. Dirt or grease can result in contact problems and malfunctions

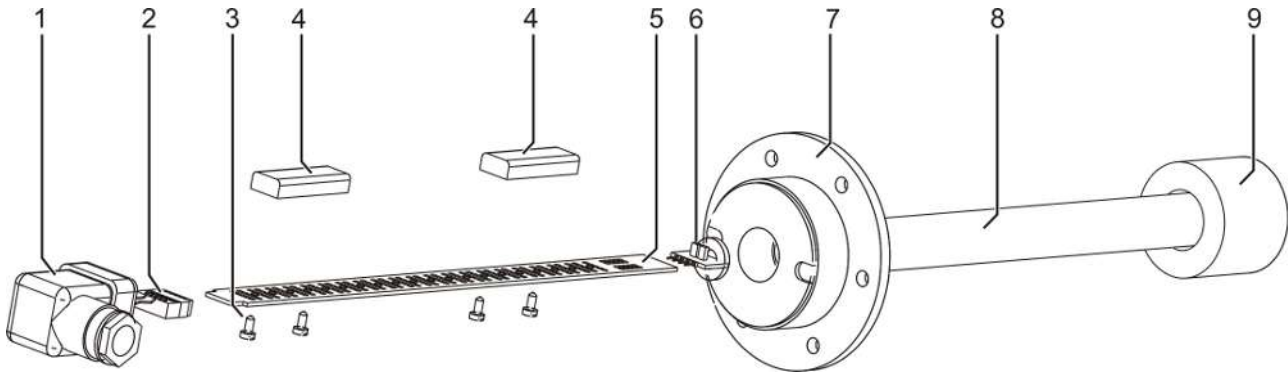


1800-OILSOL
1800-645765

<https://oilsolutions.com.au/>

sales@oilsolutions.com.au

- Loosen and reposition the plastic screws on the contacts (cm scale on the back of the contact strip). Minimum spacing: 40 mm
- If necessary, turn 180° to change the contact function.
- Tighten the plastic screws for fastening the contact hand tight.
- Slide the contact strip back into the protective tube and screw on the plug base.



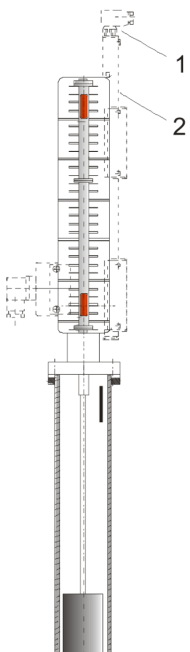
1. Example: M3 connector with plug base
2. Adapter plug
3. Plastic screws
4. Level contacts
5. Contact strip
6. Optional: Temperature contact (TK), Pt100 or 4-20 mA output
7. Flange
8. Switching tube
9. Float

4.5 Retrofitting the transducer tube

The transducer tube can be retrofit. In this case the solenoid contacts must be installed left of the indicator scale.

The transducer tube contains a Reed chain with 5 or 10 mm resolution. It is fixed to the right of the indicator scale with clamping plates. The connector (type S3) must be at the top. The entire length of the transducer tube must touch the level switch.

Please refer to the appendix for the connector wiring diagram.



1. S3 connector
2. Transducer tube



1800-OILSOL
1800-645765

<https://oilsolutions.com.au/>

sales@oilsolutions.com.au

5 Operation and control

NOTICE



The device must not be operated beyond its specifications.

6 Cleaning and Maintenance

This device is maintenance-free.

The method for cleaning the devices must be adapted to the IP protection class of the devices. Do not use cleaners which could damage the device materials.



1800-OILSOL
1800-645765

<https://oilsolutions.com.au/>

sales@oilsolutions.com.au

7 Service and repair

This chapter contains information on troubleshooting and correction should an error occur during operation.

Repairs to the unit must be performed by Bühler authorised personnel.

Please contact our Service Department with any questions:

Tel.: +49-(0)2102-498955 or your agent

If the equipment is not functioning properly after correcting any malfunctions and switching on the power, it must be inspected by the manufacturer. Please send the equipment inside suitable packaging to:

Bühler Technologies GmbH

- Reparatur/Service -

Harkortstraße 29

40880 Ratingen

Germany

Please also attach the completed and signed RMA decontamination statement to the packaging. We will otherwise be unable to process your repair order.

You will find the form in the appendix of these instructions, or simply request it by e-mail:

service@buehler-technologies.com.



1800-OILSOL
1800-645765

<https://oilsolutions.com.au/>

sales@oilsolutions.com.au

8 Disposal

Dispose of parts so as not to endanger the health or environment. Follow the laws in the country of use for disposing of electronic components and devices during disposal.



1800-OILSOL
1800-645765

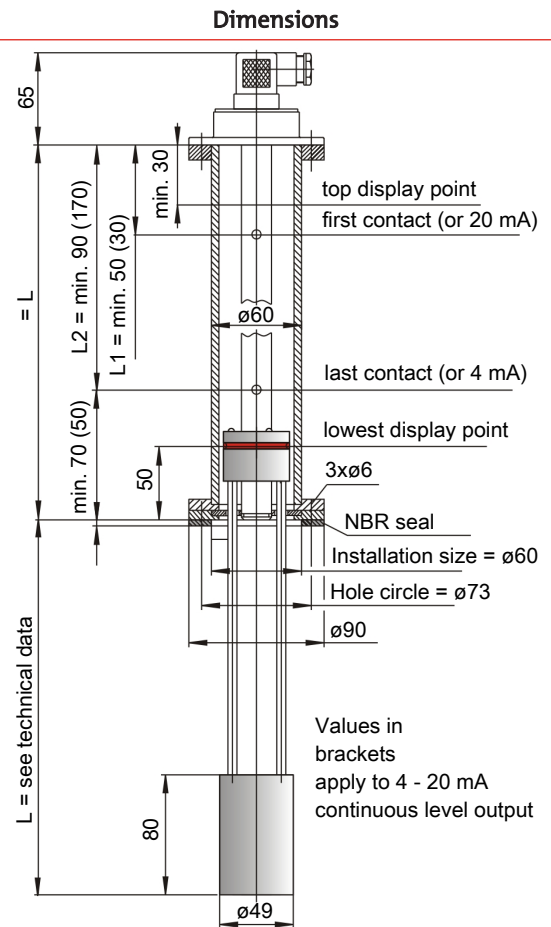
<https://oilsolutions.com.au/>

sales@oilsolutions.com.au

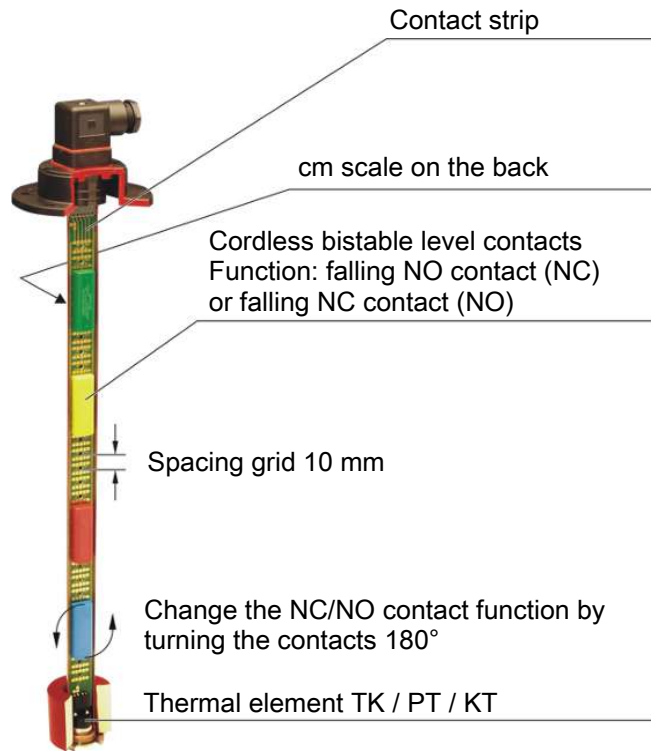
9 Appendices

9.1 Technical Data NS-OM

Basic unit		
Operating pressure:	max. 1 bar	
Operating temperature:	-20 °C to +80 °C	
Min. fluid density:	0.80 kg/dm ³	
Material		
Float:	hard PU	
Guide bar:	Aluminium	
Switching tube:	Brass	
Flange (DIN 24557)	PA	
SSR (optional):	Brass	
Model 61		
Lengths:	L = 280, 370, 500 mm (standard) variable to max. 1000 mm	
Level contacts K10 W11		
Function:	NO / NC*	Changeover contact
Max. voltage:	230 V	48 V
Max. switching current:	0.5 A	0.5 A
Max. contact load:	10 VA	20 VA
Min. contact spacing	40 mm	40 mm
*NO = falling NC / NC = falling NO		
Model 64		
Lengths:	L = 280, 370, 500 mm	
Level contacts		
Function:	K = NO / NC* or W = changeover	
Max. voltage:	30 V	
Max. switching current:	0.5 A	
Max. contact load:	10 VA	
Min. contact spacing	40 mm	
*NO = falling NC / NC = falling NO		
Model 63 (continuous level)		
Lengths:	Lengths = 280, 370, 500, 670, 820 and 970 mm*	
Measurement principle	Reed-contact	
Resolution	5 mm	
Operating voltage (U _b):	10 – 30 V DC	
Output	4 – 20 mA	
Max. burden Ω:	= U _b – 7.5 V (0.02 A)	
*Other lengths on request		
Optional SSR - stilling tube		
Included		
Mounting screws (6 count) and Rubber cork seal		



The easyjust system



9.2 Technical Data NS-OM-VA

Basic unit

Operating pressure:	max. 1 bar
Operating temperature:	-20 °C to +80 °C
Min. fluid density:	0.80 kg/dm ³

Material

SK 903 float:	PU/Al/PP
Immersion tube:	1.4571
Flange:	1.4571
Stilling tube	1.4571 (included)
Sight glass	PC

Model

MKS

Lengths: L = 280, 370, 500 mm, variable to max. 820 mm

Contacts

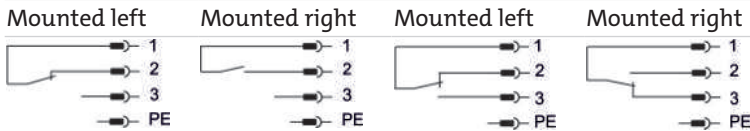
Type:	MKS-1/K	MKS-1/W
Function:	NC / NO*	Changeover contact
Max. voltage:	230 V AC/DC	230 V AC/DC
Max. switching current:	1 A	1 A
Max. contact load:	50 VA	40 VA
Connector:	3 pin + PW	3 pin + PW
	M3 (DIN EN 175301-803)	M3 (DIN EN 175301-803)
IP rating:	IP65	IP65
Item number:	288 89 99	288 99 99

Other contacts available upon request

*NO = falling NC / NC = falling NO

MKS-1/K

MKS-1/W



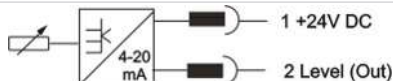
Contact position with empty tank

Model

K (continuous level measurement)

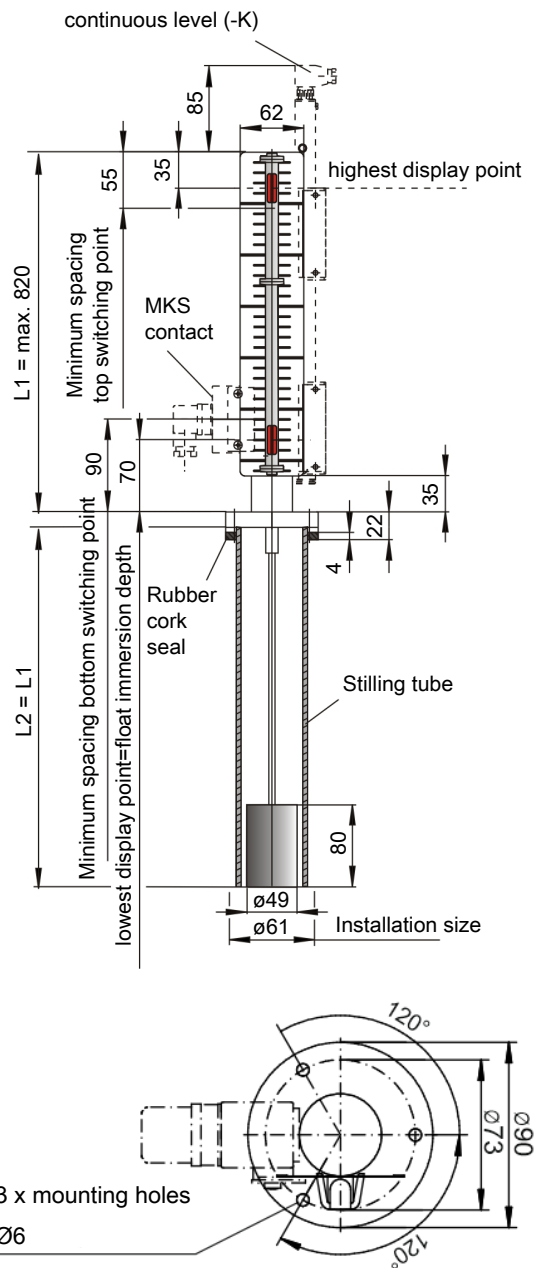
Lengths:	L = 280, 370, 500, 670, 820 mm*
Measurement principle	Reed-contact
Resolution	5 or 10 mm
Operating voltage (U _b):	10 – 30 V DC
Output	4 – 20 mA
Max. burden Ω:	= U _b – 7.5 V (0.02A)

*Other lengths on request



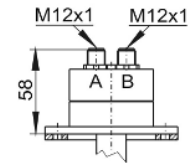
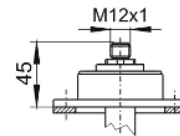
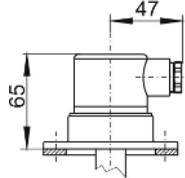
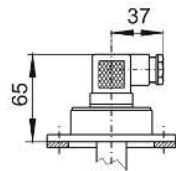
With this type, MKS contacts can additionally be installed to the left of the visual display.

Dimensions

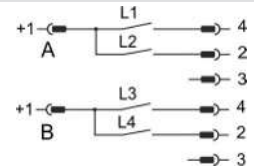
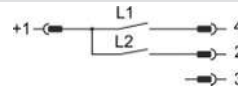
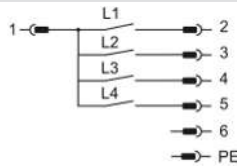
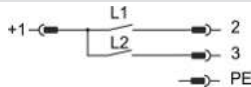


9.3 Pin Assignment

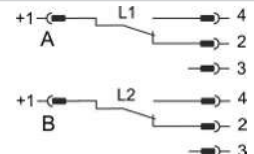
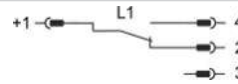
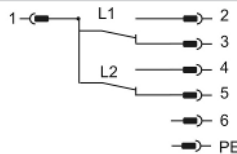
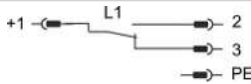
Connector	M3 (DIN EN 175301-801)	S6 (DIN EN 175201-804)	M12 (base)	2 x M12 (base)
	3-pin + PE	6-pin + PE	4-pin	2 x 4-pin
Max. voltage	230 VAC/DC*	230 VAC/DC*	30 V DC	30 V DC
IP rating	IP 65	IP 65	IP 67**	IP 67** IP65
Cable fitting	PG 11	M20 x 1.5		(NS OM-61 only)



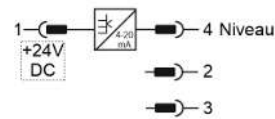
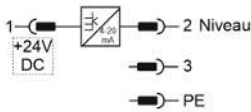
Level contact(s) NO/NC



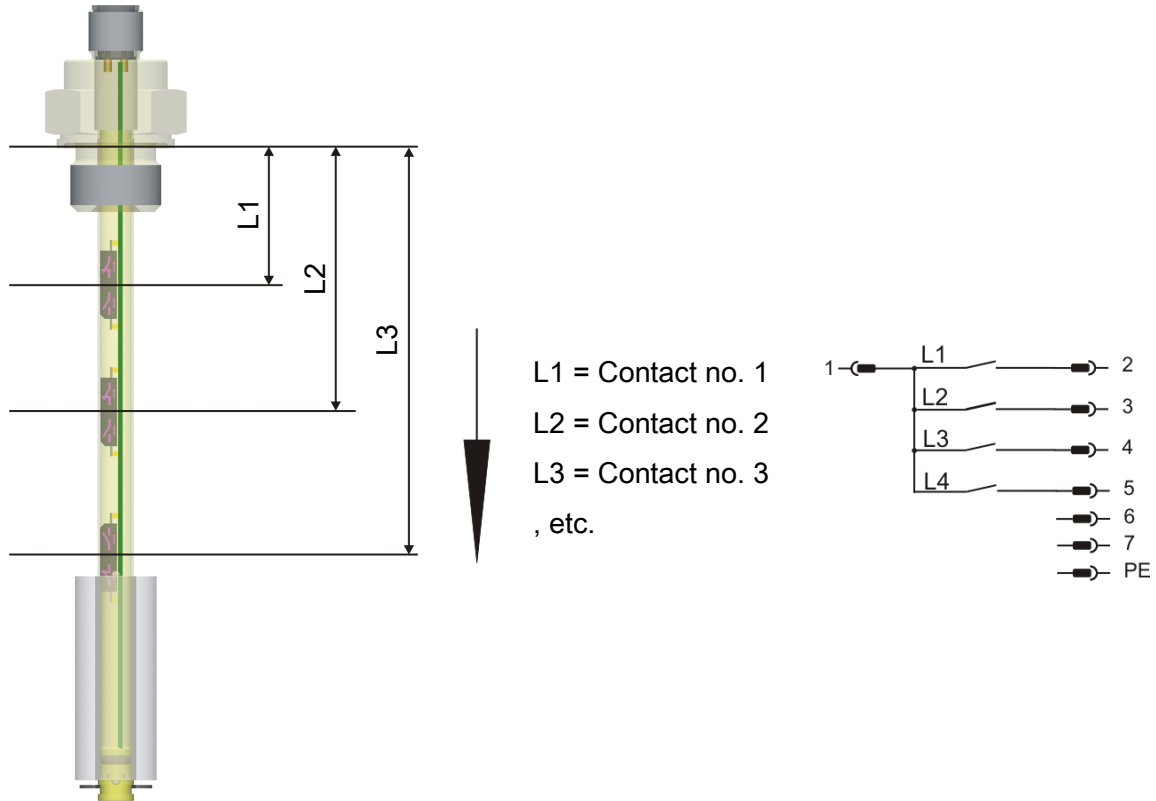
Level contact(s) changeover



NS OM-63-KN (continuous level)



9.4 Definitions



NO = NO contact

NC = NC contact

Information about analogue output: The analogue output can be loaded with max. +30 V DC. Unless explicitly specified, the connection for +24 V DC is the left and the analogue output on the right in connection diagrams.



10 Attached documents

- Declaration of conformity: KX100022, KX100026
- RMA - Decontamination Statement



1800-OILSOL
1800-645765

<https://oilsolutions.com.au/>

sales@oilsolutions.com.au

EU-Konformitätserklärung
EU-declaration of conformity



Hiermit erklärt Bühler Technologies GmbH,
dass die nachfolgenden Produkte den
wesentlichen Anforderungen der Richtlinie

*Herewith declares Bühler Technologies GmbH
that the following products correspond to the
essential requirements of Directive*

2014/30/EU
(Elektromagnetische Verträglichkeit / *electromagnetic compatibility*)

in ihrer aktuellen Fassung entsprechen.

in its actual version.

Produkt / products: Niveauschalter für Tankaufbau / *Level switches for tank top mounting*
Typ / type: NS-OM 63
NS-OM 64

Die Betriebsmittel dienen zur Überwachung des Füllstandes und der Temperatur in Fluidsystemen.
The equipment is designed for monitoring level and temperature in fluid systems.

Das oben beschriebene Produkt der Erklärung erfüllt die einschlägigen
Harmonisierungsrechtsvorschriften der Union:
*The object of the declaration described above is in conformity with the relevant Union harmonisation
legislation:*

EN 61326-1:2013

Die alleinige Verantwortung für die Ausstellung dieser Konformitätserklärung trägt der Hersteller.
This declaration of conformity is issued under the sole responsibility of the manufacturer.

Dokumentationsverantwortlicher für diese Konformitätserklärung ist Herr Stefan Eschweiler mit
Anschrift am Firmensitz.
*The person authorised to compile the technical file is Mr. Stefan Eschweiler located at the company's
address.*

Ratingen, den 20.04.2016

Stefan Eschweiler
Geschäftsführer – *Managing Director*

Frank Pospiech
Geschäftsführer – *Managing Director*

KX 10 0022

Bühler Technologies GmbH, Harkortstr. 29, D-40880 Ratingen,
Tel. +49 (0) 21 02 / 49 89-0, Fax. +49 (0) 21 02 / 49 89-20
Internet: www.buehler-technologies.com



1800-OILSOL
1800-645765

<https://oilsolutions.com.au/>

sales@oilsolutions.com.au

EU-Konformitätserklärung
EU-declaration of conformity



Hiermit erklärt Bühler Technologies GmbH,
dass die nachfolgenden Produkte den
wesentlichen Anforderungen der Richtlinie

*Herewith declares Bühler Technologies GmbH
that the following products correspond to the
essential requirements of Directive*

2014/35/EU
(Niederspannungsrichtlinie / low voltage directive)

in ihrer aktuellen Fassung entsprechen.

in its actual version.

Folgende Richtlinie wurde berücksichtigt:

The following directive was regarded:

2014/30/EU (EMV/EMC)

Produkt / products: Niveauschalter für Tankaufbau / *Level switch for tank top mounting*
Typ / type: NS-OM-61, NS-OM-VA

Das Betriebsmittel ist für den Aufbau auf einen Tank konzipiert und dient zur Überwachung von
Füllständen in Tanks.

*The equipment is constructed for tank top for mounting and serves for monitoring the liquid level in
tanks.*

Das oben beschriebene Produkt der Erklärung erfüllt die einschlägigen
Harmonisierungsrechtsvorschriften der Union:

*The object of the declaration described above is in conformity with the relevant Union harmonisation
legislation:*

EN 61010-1:2010

EN 61326-1:2013

Die alleinige Verantwortung für die Ausstellung dieser Konformitätserklärung trägt der Hersteller.
This declaration of conformity is issued under the sole responsibility of the manufacturer.

Dokumentationsverantwortlicher für diese Konformitätserklärung ist Herr Stefan Eschweiler mit
Anschrift am Firmensitz.

*The person authorized to compile the technical file is Mr. Stefan Eschweiler located at the company's
address.*

Ratingen, den 20.04.2016

Stefan Eschweiler
Geschäftsführer – *Managing Director*

Frank Pospiech
Geschäftsführer – *Managing Director*

RMA-Formular und Erklärung über Dekontaminierung

RMA-Form and explanation for decontamination



RMA-Nr./ RMA-No.

Die RMA-Nummer bekommen Sie von Ihrem Ansprechpartner im Vertrieb oder Service./ You may obtain the RMA number from your sales or service representative.

Zu diesem Rücksendeschein gehört eine Dekontaminierungserklärung. Die gesetzlichen Vorschriften schreiben vor, dass Sie uns diese Dekontaminierungserklärung ausgefüllt und unterschrieben zurücksenden müssen. Bitte füllen Sie auch diese im Sinne der Gesundheit unserer Mitarbeiter vollständig aus./ This return form includes a decontamination statement. The law requires you to submit this completed and signed decontamination statement to us. Please complete the entire form, also in the interest of our employee health.

Firma/ Company

Firma/ Company
Straße/ Street
PLZ, Ort/ Zip, City
Land/ Country

Ansprechpartner/ Person in charge

Name/ Name
Abt./ Dept.
Tel./ Phone
E-Mail
Serien-Nr./ Serial No.
Artikel-Nr./ Item No.

Gerät/ Device
Anzahl/ Quantity
Auftragsnr./ Order No.

Grund der Rücksendung/ Reason for return

- Kalibrierung/ Calibration Modifikation/ Modification
 Reklamation/ Claim Reparatur/ Repair
 andere/ other

bitte spezifizieren/ please specify

Ist das Gerät möglicherweise kontaminiert?/ Could the equipment be contaminated?

- Nein, da das Gerät nicht mit gesundheitsgefährdenden Stoffen betrieben wurde./ No, because the device was not operated with hazardous substances.
 Nein, da das Gerät ordnungsgemäß gereinigt und dekontaminiert wurde./ No, because the device has been properly cleaned and decontaminated.
 Ja, kontaminiert mit:/ Yes, contaminated with:



explosiv/
explosive



entzündlich/
flammable



brandfördernd/
oxidizing



komprimierte
Gase/
compressed
gases



ätzend/
caustic



giftig,
Lebensgefahr/
poisonous, risk
of death



gesundheitsge-
fährdend/
harmful to
health



gesund-
heitsschädlich/
health hazard



umweltge-
fährdend/
environmental
hazard

Bitte Sicherheitsdatenblatt beilegen!/ Please enclose safety data sheet!

Das Gerät wurde gespült mit:/ The equipment was purged with:

Diese Erklärung wurde korrekt und vollständig ausgefüllt und von einer dazu befugten Person unterschrieben. Der Versand der (dekontaminierten) Geräte und Komponenten erfolgt gemäß den gesetzlichen Bestimmungen.

This declaration has been filled out correctly and completely, and signed by an authorized person. The dispatch of the (decontaminated) devices and components takes place according to the legal regulations.

Falls die Ware nicht gereinigt, also kontaminiert bei uns eintrifft, muss die Firma Bühler sich vorbehalten, diese durch einen externen Dienstleister reinigen zu lassen und Ihnen dies in Rechnung zu stellen.

Should the goods not arrive clean, but contaminated, Bühler reserves the right, to commission an external service provider to clean the goods and invoice it to your account.

Firmenstempel/ Company Sign

Datum/ Date

Bühler Technologies GmbH, Harkortstr. 29, D-40880 Ratingen
Tel. +49 (0) 21 02 / 49 89-0, Fax: +49 (0) 21 02 / 49 89-20
E-Mail: service@buehler-technologies.com
Internet: www.buehler-technologies.com

rechtsverbindliche Unterschrift/ Legally binding signature

DE000011
01/2019



1800-OILSOL
1800-645765

<https://oilsolutions.com.au/>

sales@oilsolutions.com.au



Die Analyse defekter Baugruppen ist ein wesentlicher Bestandteil der Qualitätssicherung der Firma Bühler Technologies.

Um eine aussagekräftige Analyse zu gewährleisten muss die Ware möglichst unverändert untersucht werden. Es dürfen keine Veränderungen oder weitere Beschädigungen auftreten, die Ursachen verdecken oder eine Analyse unmöglich machen.

Bei elektronischen Baugruppen kann es sich um elektrostatisch sensible Baugruppen handeln. Es ist darauf zu achten, diese Baugruppen ESD-gerecht zu behandeln. Nach Möglichkeit sollten die Baugruppen an einem ESD-gerechten Arbeitsplatz getauscht werden. Ist dies nicht möglich sollten ESD-gerechte Maßnahmen beim Austausch getroffen werden. Der Transport darf nur in ESD-gerechten Behältnissen durchgeführt werden. Die Verpackung der Baugruppen muss ESD-konform sein. Verwenden Sie nach Möglichkeit die Verpackung des Ersatzteils oder wählen Sie selber eine ESD-gerechte Verpackung.

Beachten Sie beim Einbau des Ersatzteils die gleichen Vorgaben wie oben beschrieben. Achten Sie auf die ordnungsgemäße Montage des Bauteils und aller Komponenten. Versetzen Sie vor der Inbetriebnahme die Verkabelung wieder in den ursprünglichen Zustand. Fragen Sie im Zweifel beim Hersteller nach weiteren Informationen.

Analysing defective assemblies is an essential part of quality assurance at Bühler Technologies.

To ensure conclusive analysis the goods must be inspected unaltered, if possible. Modifications or other damages which may hide the cause or render it impossible to analyse are prohibited.

Electronic assemblies may be sensitive to static electricity. Be sure to handle these assemblies in an ESD-safe manner. Where possible, the assemblies should be replaced in an ESD-safe location. If unable to do so, take ESD-safe precautions when replacing these. Must be transported in ESD-safe containers. The packaging of the assemblies must be ESD-safe. If possible, use the packaging of the spare part or use ESD-safe packaging.

Observe the above specifications when installing the spare part. Ensure the part and all components are properly installed. Return the cables to the original state before putting into service. When in doubt, contact the manufacturer for additional information.



1800-OILSOL
1800-645765

<https://oilsolutions.com.au/>

sales@oilsolutions.com.au

