

## Pressure transmitter Pressotronik 702

Monitoring the oil pressure is essential in hydraulic systems and oil supply systems. It's important to monitor both process-related pressure ranges as well as safety shutdowns, load limits or simply to determine if the lubricating pressure is adequate.

The pressure transmitters must meet a variety of requirements with respect to their pressure resistance, signal output, programmability or the plug connection style. A local or status display is often required for safety reasons

The Pressotronik 702 pressure transmitters have a compact installation size, different connector plugs and fine-tuned pressure levels ranging from low-pressure to high pressure range.

Pressure ratings up to 600 bar

Compact and robust design

Stainless steel measuring cell

Pressure measuring cell welded seal-free with pressure sensor, no elastomer seal

High burst strength

2 plug connection options available



1800-OILSOL  
1800-645765

<https://oilsolutions.com.au/>

[sales@oilsolutions.com.au](mailto:sales@oilsolutions.com.au)



Technical Data Pressotronik 702

Pressure Transmitter Pressotronik 702

Pressure ranges	0 - 10 bar 0 - 25 bar 0 - 100 bar 0 - 250 bar 0 - 400 bar 0 - 600 bar
Medium	Liquids, gasses and refrigerants, incl. ammonia
Pressure connection	G1/4 male thread, DIN 3852 Form E with profile gasket FPM
Overload	3 x limit at 10 to 600 bar (but max. 1500 bar)
<i>higher values upon request</i>	
Burst pressure	6 x terminal value (max. 2500 bar)
Mounting position	any
Weight	approx. 90 g
<b>Material</b>	
Housing	1.4305
Connector holder	Polyarylamide 50 % GF VO
<b>Materials in contact with media</b>	
Pressure connection	Stainless steel 1.4404 / AISI 316L
Measuring element	Stainless steel
<b>Temperature</b>	
Medium	-30 °C to +135 °C
Ambient temperature	-30 °C to +85 °C
Storage	-50 °C to +100 °C

<b>Electrical data</b>	
Response time	<= 2 ms / typical 1 ms
Load cycle	<= 100 Hz
Supply voltage (U <sub>b</sub> )	7 - 33 V DC
Power input	<= 23 mA
Output signal	4 - 20 mA, 2 wire
Load Ω	= (U <sub>b</sub> -7 V) / 0.02 A
Reverse polarity safety	Short circuit and reverse polarity safety (each connection to each with max. voltage)
Connection	M3 (IP 65)
<i>other versions on request</i>	M12 (IP 67) / Delivered without connector head

**Accuracy (test conditions: 25 °C, 45 % RH, supply 24 VDC)**

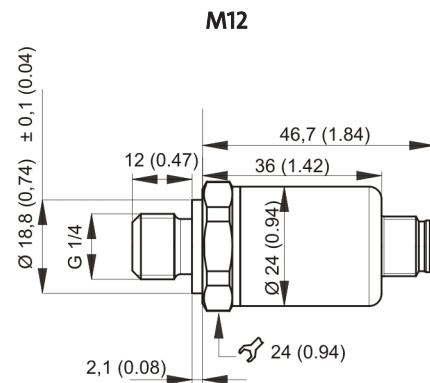
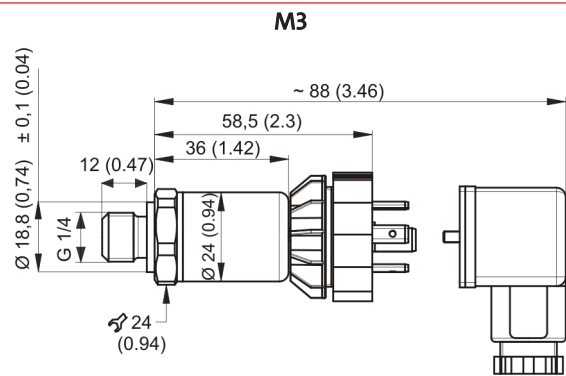
Characteristic*	± 0.3 % FS
Resolution	0.1 % FS
Thermal behaviour**	± 0.2 % FS/10K
Long-term stability per DIN EN 60770-1	± 0.25 % FS

\*Typical; max. 0.5 % FS, \*\* -15 °C to +85 °C

**Certificates/Approvals**

Electromagnetic compatibility	CE compliant per EN 61326-2-3
Shock per IEC 60068-2-27	100 g, 11 ms, half-sine curve, all 6 directions, free fall from 1 m onto concrete (6x)
Continuous shock per IEC 60068-2-29	40 g over 6 ms, 1000x all 3 directions
Vibration per IEC 60068-2-6	20 g, 15...2000 Hz, 15...25 Hz with amplitude ± 15 mm, 1 octave/minute all 3 directions, 50 continuous loads

Dimensions

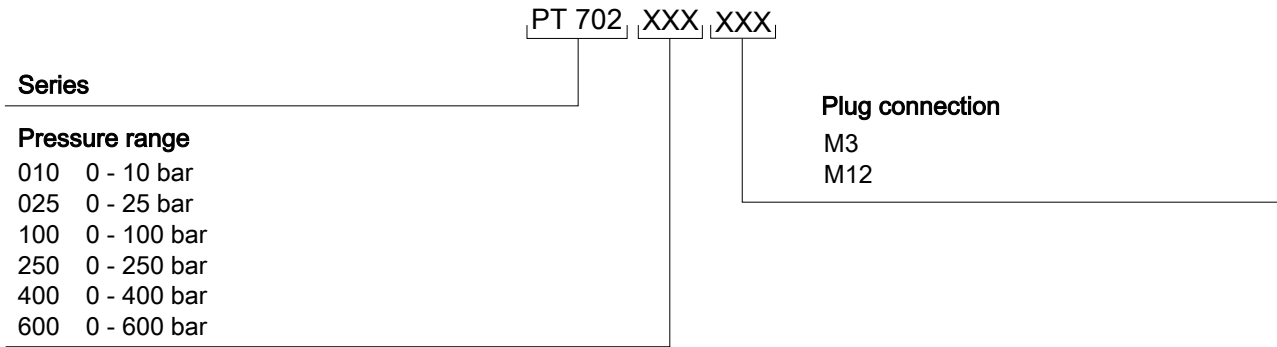


1800-OILSOL  
1800-645765

<https://oilsolutions.com.au/>

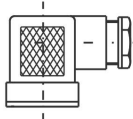
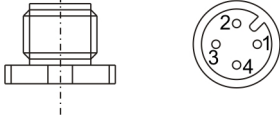
[sales@oilsolutions.com.au](mailto:sales@oilsolutions.com.au)

Ordering instructions Pressotronik 702



Item no.	Description	
9144 05 0010	Connecting cable	M12x1, 1.5 m, angled coupler and straight plug
9144 05 0046	Connecting cable	M12x1, 3.0 m, angled coupler and straight plug
9144 05 0047	Connecting cable	M12x1, 5.0 m, angled coupler and strands

Standard pin assignment Pressotronik 702

	M3 valve connector 3-pin + PE DIN EN 175301-803-A IP65	M12 plug A coded 4-pin DIN EN 61076-2-101 IP67
Plug connection		
Pin assignment 2 lead	<ul style="list-style-type: none"> <li>— 1 +24 V DC</li> <li>— 2 4-20 mA out</li> <li>— 3</li> <li>— PE*</li> </ul>	<ul style="list-style-type: none"> <li>— 1 +24 V DC</li> <li>— 2</li> <li>— 3 4-20 mA out</li> <li>— 4</li> </ul>

\* not connected to transmitter housing.