



OIL SOLUTIONS

PO Box 38

Strathfieldsaye, VIC, 3551

1800 OIL SOL

1800 645 765

sales@oilsolutions.com.au

www.oilsolutions.com.au

"For All Your Hydraulic Needs"



HYSTAT

Gas Bottles

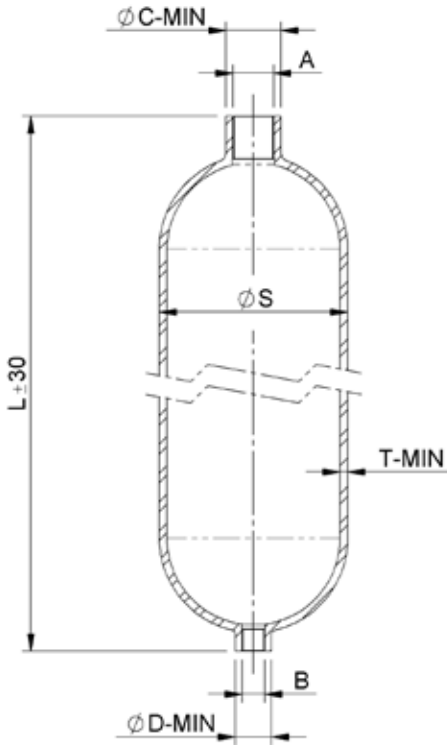
Hydraulic Manufacturing Excellence since 1976



Gas Bottles

Hystat offer a range of gas bottles to compliment our piston accumulator range. There are a wide range of standard size gas bottles available at various pressure ratings. Hystat also provide custom gas bottles to suit any capacity or pressure requirements. Approvals include PED 2014/68/EU and ASME U code marking.

DUAL PORTS - 360 BAR



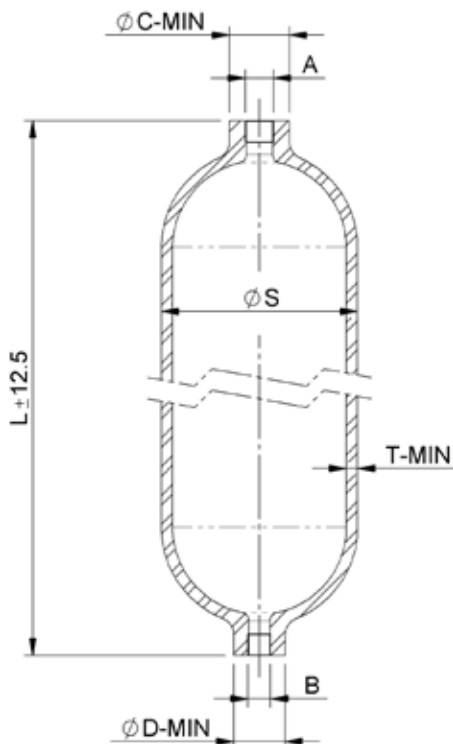
Pressure Rating (Bar)	PED	360
	ASME	233
Volume (Litres)		50
Port A (ISO 228)		1-1/2" BSP
Port B (ISO 228)		3/4" BSP
C, Min Boss Dia		64
D, Min Boss Dia		42
L, Overall Length		1800
S, Shell Outer Dia		220
T, Shell Thickness		9
Gas		Nitrogen
Material		34CrMo4
Mass (kg)		105
Ordering Code		GBF-50-360-200

PAINT OPTIONS

Standard – Degrease and primer.

Optional – Shot blast SA 2.5, mask, prime and paint to Norsok M-501 or to suit project requirement.

DUAL PORTS - 690 BAR



Pressure Rating (Bar)	PED	690
	ASME	460
Volume (Litres)		50
Port A (ISO 228)		G1"
Port B (ISO 228)		G3/4"
C, Min Boss Dia		75
D, Min Boss Dia		60
L, Overall Length		1750
S, Shell Outer Dia		245
T, Shell Thickness		19.2
Gas		Nitrogen
Material		34CrMo4
Mass (kg)		180
Ordering Code		GBF-50-690-200

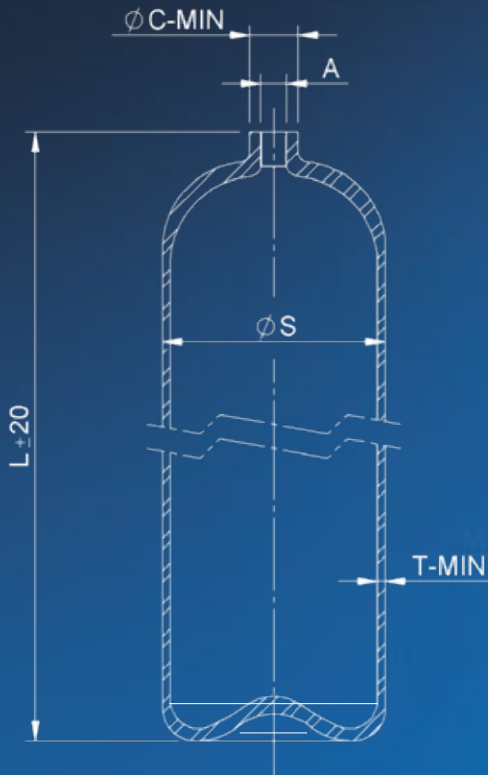
PAINT OPTIONS

Standard – Degrease and primer.

Optional – Shot blast SA 2.5, mask, prime and paint to Norsok M-501 or to suit project requirement.



FLAT BOTTOM - 300 BAR



Pressure Rating (Bar)	PED	300
	ASME	250
Volume (Litres)		50
Port A (ISO 228)		3/4" BSP
C, Min Boss Dia		48
L, Overall Length		1630
S, Shell Outer Dia		229
T, Shell Thickness		9.5
Gas		Nitrogen
Material		34CrMo4
Mass (kg)		80
Ordering Code		GBF-50-300-200-FB

PAINT OPTIONS

Standard – Degrease and primer.

Optional – Shot blast SA 2.5, mask, prime and paint to Norsok M-501 or to suit project requirement.

BESPOKE

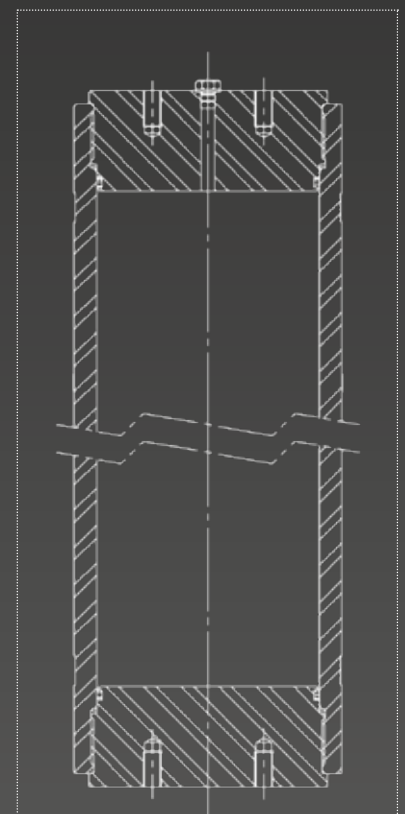
For applications where a forged shell gas bottle (Dual Port or Flat Bottom) is not the optimum solution, Hystat offer our Bespoke range of gas bottles. Each gas bottle is custom designed by Hystat's design team to meet our customers' exact requirements. The Bespoke gas bottle range allows you to specify:

- Gas Volume up to 1500 litres
- Design Pressure up to 3500 bar
- Ports (type, size position etc.)
- Material including: Carbon Steel, Alloy Steel, 17-4PH, 316, Duplex, Super Duplex, Inconel, Hastelloy, Aluminium)
- Third party design and test approval (Lloyds, DNV, ABS etc.)

PAINT OPTIONS

Standard – Degrease and primer.

Optional – Shot blast SA 2.5, mask, prime and paint to Norsok M-501 or to suit project requirement.



ACCESSORIES PORT ADAPTORS

Product Code*	Male Thread	Female Thread
PTA-010	1 1/2" BSP	1" BSP
PTA-011	1" BSP	1/4" BSP
PTA-012	1" BSP	3/8" BSP
PTA-013	1" BSP	1/2" BSP
PTA-014	1" BSP	5/8" BSP
PTA-015	3/4" BSP	1/8" BSP
PTA-016	3/4" BSP	1/4" BSP
PTA-017	3/4" BSP	3/8" BSP
PTA-110	1 1/2" BSP	1/4" Autoclave
PTA-111	1 1/2" BSP	3/8" Autoclave
PTA-112	1 1/2" BSP	9/16" Autoclave
PTA-113	1 1/2" BSP	3/4" Autoclave
PTA-114	1" BSP	1/4" Autoclave
PTA-115	1" BSP	3/8" Autoclave
PTA-116	1" BSP	9/16" Autoclave

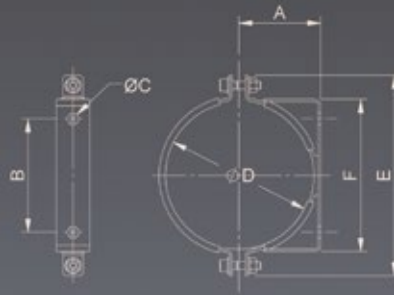
Product Code*	Male Thread	Female Thread
PTA-210	1 1/2" BSP	1/4" NPT
PTA-211	1 1/2" BSP	3/8" NPT
PTA-212	1 1/2" BSP	1/2" NPT
PTA-213	1" BSP	1/4" NPT
PTA-214	1" BSP	3/8" NPT
PTA-215	1" BSP	1/2" NPT
PTA-216	3/4" BSP	1/4" NPT
PTA-217	3/4" BSP	3/8" NPT
PTA-310	3/4" NPT	1/4" Autoclave
PTA-311	3/4" NPT	3/8" Autoclave
PTA-410	3/4" NPT	1/2" BSP

Note: All adaptors are pressure rated to the design pressure of the corresponding gas bottle.

Material: All adaptors are supplied in 316 Stainless Steel as standard.

GAS BOTTLE BRACKETS

Product Code	A (mm)	B (mm)	C (mm)	D (mm)	E (mm)	F (mm)
PA-CLP-150	85	124	14	150	210	162
PA-CLP-220	125	170	18	220	300	228
PA-CLP-230	130	195	18	230	310	246
PA-CLP-245	135	200	22	245	340	258
PA-CLP-300	165	260	22	300	400	318



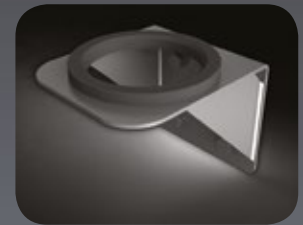
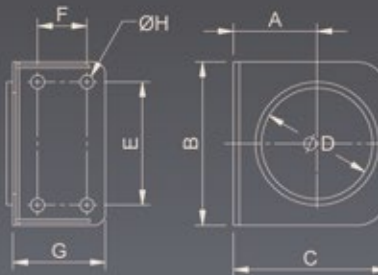
Bracket

Note: Other sizes available on request.

Material: All gas bottle brackets are supplied in 316 Stainless Steel as standard.

GAS BOTTLE SADDLES

Product Code	A (mm)	B (mm)	C (mm)	D (mm)	E (mm)	F (mm)	G (mm)	H (mm)
PA-SAD-220	125	230	230	155	170	80	150	18
PA-SAD-230	130	260	240	175	195	80	150	18
PA-SAD-245	135	265	250	180	200	80	150	22



Saddles

Note: Other sizes available on request.

Material: All gas bottle saddles are supplied in 316 Stainless Steel as standard.

Hystat Systems Ltd.

Spa Field Industrial Estate, New Street, Slaithwaite,
Huddersfield, West Yorkshire, England, HD7 5BB

Tel: +44 (0) 1484 845740

Email: sales@hystat.co.uk



OIL SOLUTIONS

1800-OILSOL
1800-645765

<https://oilsolutions.com.au/>

sales@oilsolutions.com.au