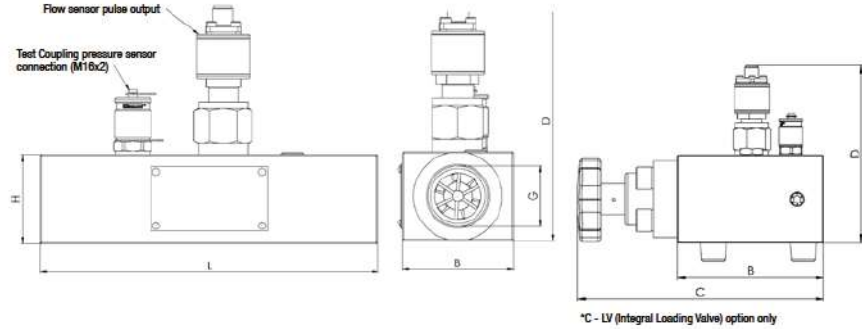


Flow Turbines & Accessories



Product Description

The WT-SFM-FM flow turbine may be used as a piece of test equipment or permanently mounted in the pipeline. The oil flow rotates the internal axial turbine creating a pulse output from the flow sensor. The frequencies generated may be read by other devices in the STAUFF range including the DHCR or as external input information to the DHT or HT series testers (refer to page M58). The flow sensor is fitted with a thermistor bead to provide temperature information to be displayed on the reading device. This turbine is capable of reading flow in either direction. For accurate readings ensure 8 to 10 diameters of straight conductor are used on the inlet side of the turbine and always use straight fittings. Avoid the use of elbow type fittings. The turbine may be supplied with or without a pressure balance loading valve. Protected by rupture discs, this convenient loading valve allows the user to observe system performance under load.

Technical Data

Materials

- Housing: Aluminium
- Seals: Viton standard
- E. Connection: 5 Pin M12
- P. Sensor: SMK20 (M16x2)

Ambient Conditions

- Media temperature: 5°C ... +90 °C / 41 °F ... +194 °F
- Ambient temperature: 5°C ... +40 °C / +41 °F ... +104 °F
- Max. particle size: <25 Micron

Electrical Output

- Frequency: 20 to 2,000 Hz.
- Resistance: 3,700 Ohm

Technical Data

Max. Working Pressure (bar / psi)	Flow Range (l/min / US GPM)	Accuracy at 21 cSt	G	L	B	C	D	H
420	3 - 60	± 1% of display	3/4 BSPP	190	62		121	50
6091	79 - 15.90		1 BSPP	190	62		122	50
420	10 - 400		1 BSPP	222	100	182	150	49
6091	2.11 - 79.00		1 1/2 SAE 3000 PSI	212	62		139	75
420	10 - 400		1 7/8-12UN OR	212	100		139	75
6091	2.11 - 79.00		1 7/8-12UN OR	235	125	211	169	75
210	15 - 600							
3045	3.96 - 158.00							
480	20 - 800							
6961	5.28 - 211.34							
480	20 - 800							
6961	5.28 - 211.34							

Turbines with Frequency output 4-20 mA and Voltage 5 V PLC output are available on request, contact STAUFF for more information.

Order Codes



① Series and Type

Flow Turbine	WT
--------------	----

② Version

Flow Turbine - Frequency	SFM-FM
--------------------------	--------

③ Flow Range

3 ... 60 l/min / .79 ... 15.90 US GPM	L00060
10 ... 400 l/min / 2.11 ... 79.00 US GPM	L00400
15 ... 600 l/min / 3.96 ... 158.00 US GPM	L00600
20 ... 800 l/min / 5.28 ... 211.34 US GPM	L00800

④ Pressure Range

210 Bar / 3045 PSI	B0210
420 Bar / 6091 PSI	B0420
480 Bar / 6961 PSI	B0480

⑤ Fluid Port Connection

G3/4 BSPP	G12
G1 BSPP	G16
1 7/8 - 12 UN O-Ring	U24
1 1/2 SAE Flange 3000 PSI	F324U

⑥ Loading Valve

Integral Loading Valve	LV
Without	(None)



Cables

Item No.	Designation	Price
1810011464	WTS-CAB/SMS-MD-APM55P-20A-DHCR-10521-02	305.30
6100008187	WTS-CAB-MD-FT-AMP55P-4M-9377-4	339.05

Suitable for connection between DHCR & LT Flow Turbines



Order Codes

Item No.	Designation	Price
1810011419	WT-SFM-FM-L00060-B0420-G12	2372.55
6100008191	WT-SFM-FM-L00400-B0420-G16	2372.55
1810011451	WT-SFM-FM-L00400-B0420-G16-LV	4236.30
6100033467	WT-SFM-FM-L00600-B0210-F324U	2372.55
1810011420	WT-SFM-FM-L00800-B0480-U24	2656.40
1810011421	WT-SFM-FM-L00800-B0480-U24-LV	5366.35

*LV - Integral Loading Valve