

Hydraulics Network



OIL SOLUTIONS

1800-OILSOL
1800-645765

<https://oilsolutions.com.au/>

sales@oilsolutions.com.au



HYDRAULIC CYLINDERS

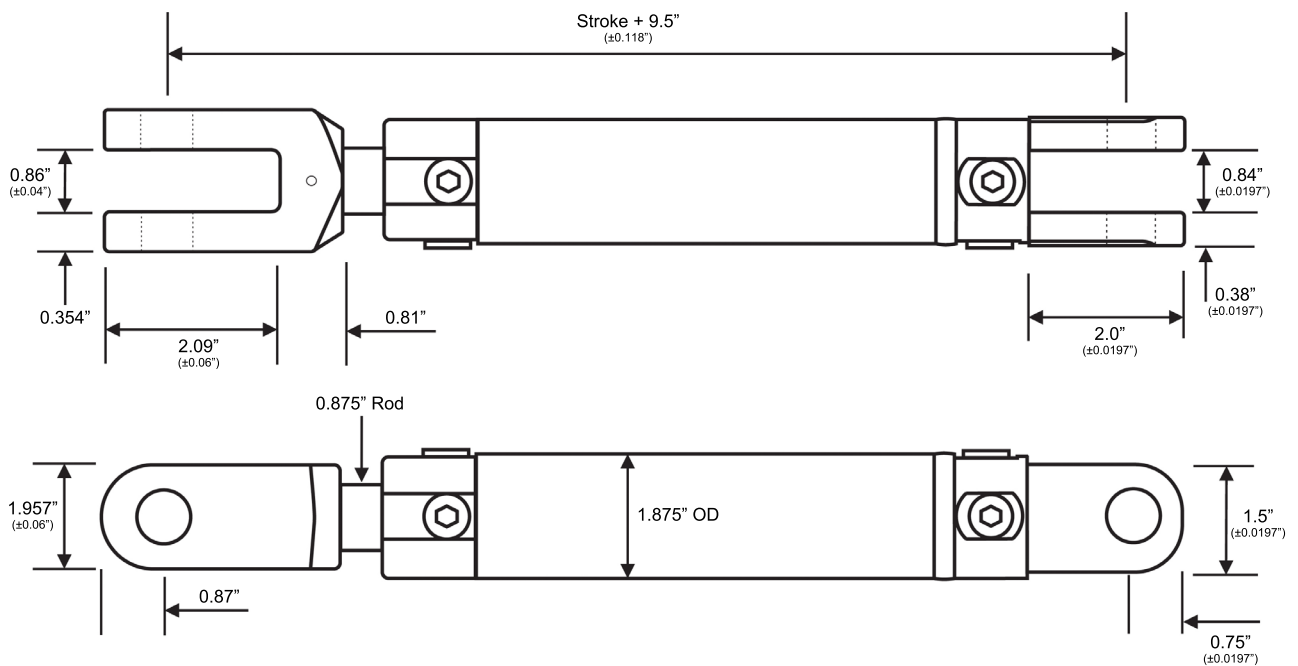
2023

AG Cylinders 1.5" Bore



Dual Port | 2 Year Warranty | Dated Serial Number

Part #	List Price \$	Stroke	Closed		Open		Description
			Inch	mm	Inch	mm	
TAG 1502D		2"	11.5"	292.1	13.5"	342.9	Maximum Pressure: 3000 psi Ports: 9/16" UNO Pins: 3/4"
TAG 1504D		4"	13.5"	342.9	17.5"	444.5	
TAG 1506D		6"	15.5"	393.7	21.5"	546.1	
TAG 1508D		8"	17.5"	444.5	25.5"	647.7	
TAG 1510D		10"	19.5"	495.3	29.5"	749.3	
TAG 1512D		12"	21.5"	546.1	33.5"	850.9	
TAG 1514D		14"	23.5"	596.9	37.5"	952.5	
TAG 1516D		16"	25.5"	647.7	41.5"	1054.1	
TAG 1518D		18"	27.5"	698.5	45.5"	1155.7	
TAG 1520D		20"	29.5"	749.3	49.5"	1257.3	
TAG 1524D		24"	33.5"	850.9	57.5"	1460.5	
TAG 1530D		30"	39.5"	1003.3	69.5"	1765.3	
TAG 1536D		36"	45.5"	1155.7	81.5"	2070.1	
TAG 1542D		42"	51.5"	1308.0	93.5"	2375.0	
TAG 1548D		48"	57.5"	1460.5	105.5"	2679.7	



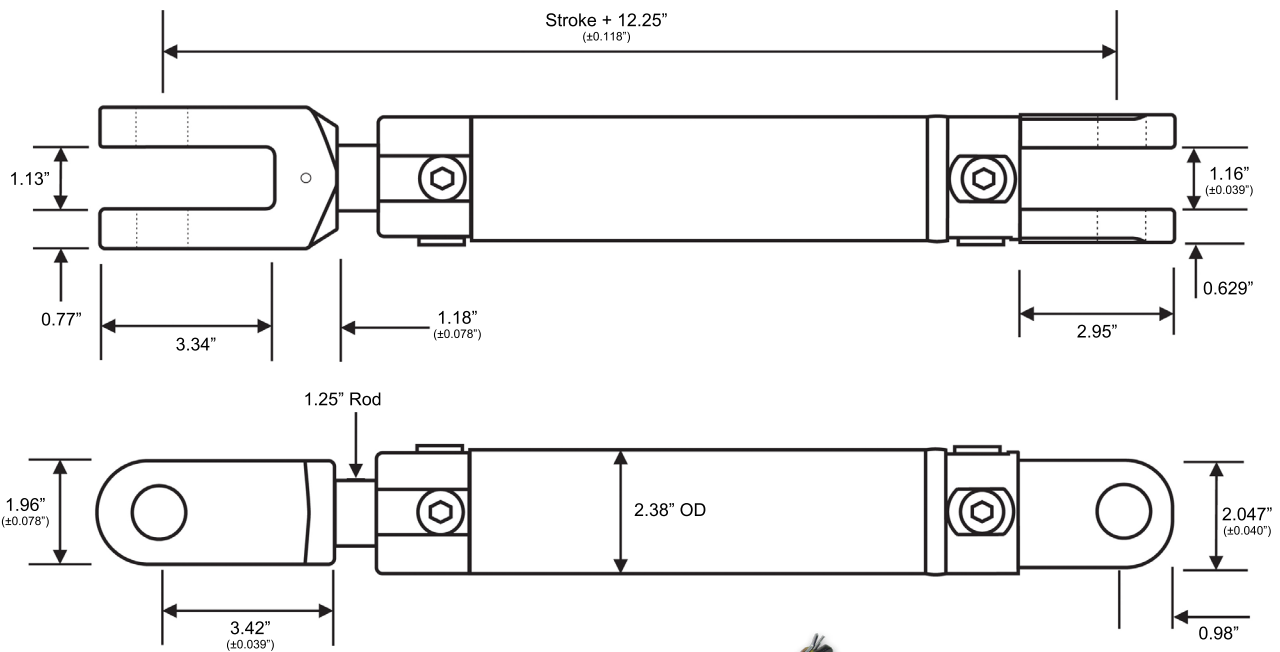
WARNING: Hydraulic cylinders without a hose burst valve, pilot operated check valve or counter balance valve directly mounted to the cylinder will not meet Australian Standard AS1418.8, nor occupational health & safety rules.

AG Cylinders 2.0" Bore



Dual Port | 2 Year Warranty | Dated Serial Number

Part #	List Price \$	Stroke	Closed		Open		Description
			Inch	mm	Inch	mm	
TAG 2002D		2"	14.25"	361.95	16.25"	412.75	Maximum Pressure: 3000 psi Ports: 9/16" UNO Pins: 1"
TAG 2004D		4"	16.25"	412.75	20.25"	514.35	
TAG 2006D		6"	18.25"	463.55	24.25"	615.95	
TAG 2008D		8"	20.25"	514.35	28.25"	717.55	
TAG 2010D		10"	22.25"	565.15	32.25"	819.15	
TAG 2012D		12"	24.25"	615.95	36.25"	920.75	
TAG 2014D		14"	26.25"	666.75	40.25"	1022.35	
TAG 2016D		16"	28.25"	717.55	44.25"	1123.95	
TAG 2018D		18"	30.25"	768.35	48.25"	1225.55	
TAG 2020D		20"	32.25"	819.15	52.25"	1327.15	
TAG 2022D		22"	34.25"	869.95	56.25"	1428.75	
TAG 2024D		24"	36.25"	920.75	60.25"	1530.35	
TAG 2026D		26"	38.25"	971.55	64.25"	1631.95	
TAG 2028D		28"	40.25"	1022.35	68.25"	1733.55	
TAG 2030D		30"	42.25"	1073.15	72.25"	1835.15	
TAG 2036D		36"	48.25"	1225.55	84.25"	2139.95	
TAG 2042D		42"	54.25"	1377.95	96.25"	2444.75	
TAG 2048D		48"	60.25"	1530.35	108.25"	2749.55	
TAG 2054D		54"	66.25"	1682.75	120.25"	3054.35	



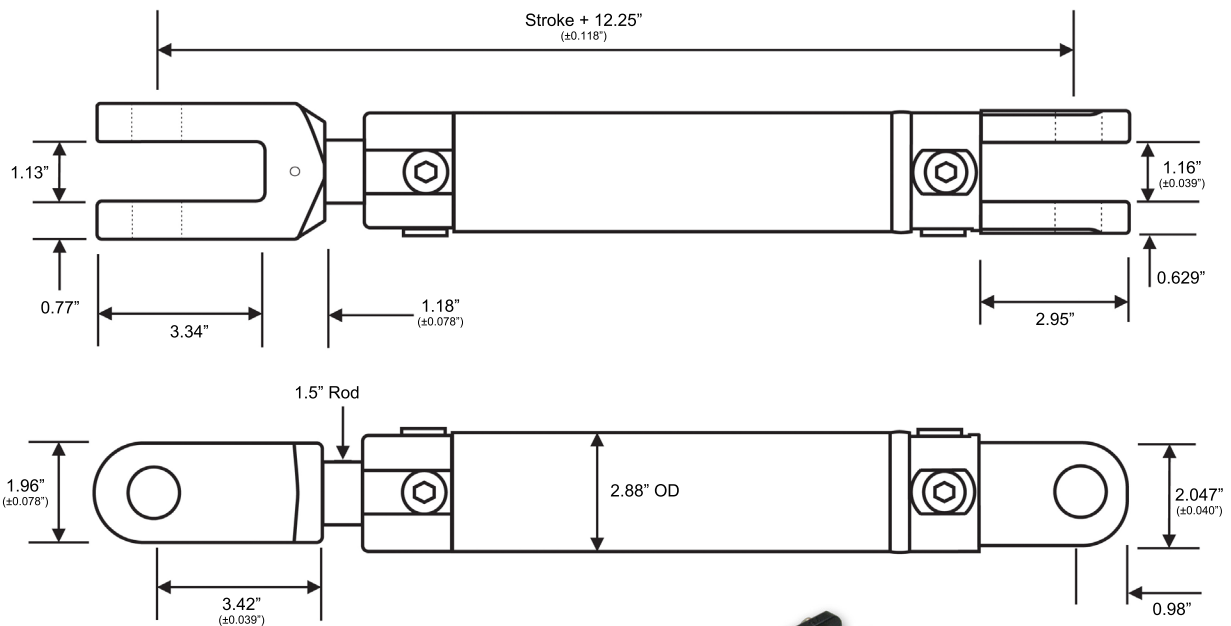
WARNING: Hydraulic cylinders without a hose burst valve, pilot operated check valve or counter balance valve directly mounted to the cylinder will not meet Australian Standard AS1418.8, nor occupational health & safety rules.

AG Cylinders 2.5" Bore



Dual Port | 2 Year Warranty | Dated Serial Number

Part #	List Price \$	Stroke	Closed		Open		Description
			Inch	mm	Inch	mm	
TAG 2504D		4"	16.25"	412.75	20.25"	514.35	Maximum Pressure: 3000 psi Ports: 3/4" UNO Pins: 1"
TAG 2506D		6"	18.25"	463.55	24.25"	615.95	
TAG 2508D		8"	20.25"	514.35	28.25"	717.55	
TAG 2510D		10"	22.25"	565.15	32.25"	819.15	
TAG 2512D		12"	24.25"	615.95	36.25"	920.75	
TAG 2514D		14"	26.25"	666.75	40.25"	1022.25	
TAG 2516D		16"	28.25"	717.55	44.25"	1123.25	
TAG 2518D		18"	30.25"	768.35	48.25"	1225.55	
TAG 2520D		20"	32.25"	819.15	52.25"	1327.15	
TAG 2522D		22"	34.25"	869.95	56.25"	1428.75	
TAG 2524D		24"	36.25"	920.75	60.25"	1530.35	
TAG 2526D		26"	38.25"	971.55	64.25"	1631.95	
TAG 2528D		28"	40.25"	1022.25	68.25"	1733.55	
TAG 2530D		30"	42.25"	1073.15	72.25"	1835.15	
TAG 2536D		36"	48.25"	1225.55	84.25"	2139.95	
TAG 2542D		42"	54.25"	1377.95	96.25"	2444.75	
TAG 2548D		48"	60.25"	1530.35	108.25"	2749.55	
TAG 25-1500D		1500mm	71.30"	1811.15	130.36"	3311.15	
TAG 25-2000D		2000mm	90.98"	2311.1	169.73"	4311.15	
TAG 25-2500D		2500mm	110.67"	2811.15	209.10"	5311.15	



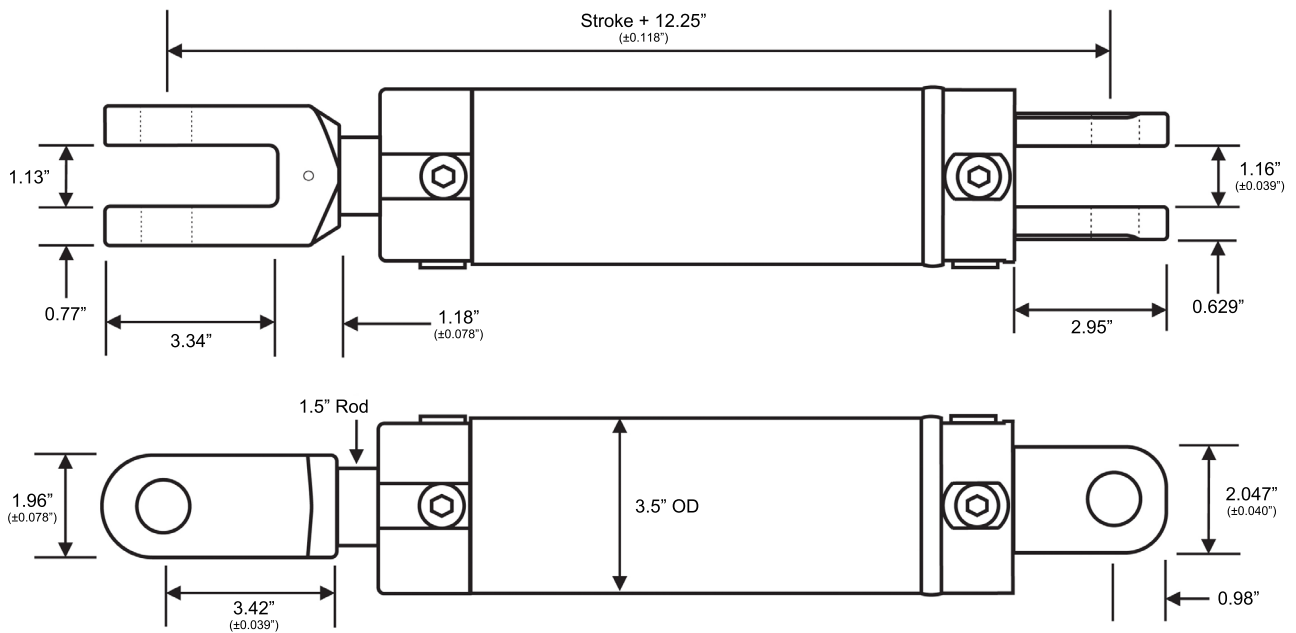
WARNING: Hydraulic cylinders without a hose burst valve, pilot operated check valve or counter balance valve directly mounted to the cylinder will not meet Australian Standard AS1418.8, nor occupational health & safety rules.

AG Cylinders 3.0" Bore



Dual Port | 2 Year Warranty | Dated Serial Number

Part #	List Price \$	Stroke	Closed		Open		Description
			Inch	mm	Inch	mm	
TAG 3004D		4"	16.25"	412.75	20.25"	514.35	Maximum Pressure: 3000 psi Ports: 3/4" UNO Pins: 1"
TAG 3006D		6"	18.25"	463.55	24.25"	615.95	
TAG 3008D		8"	20.25"	514.35	28.25"	717.55	
TAG 3010D		10"	22.25"	565.15	32.25"	819.15	
TAG 3012D		12"	24.25"	615.95	36.25"	920.75	
TAG 3014D		14"	26.25"	666.75	40.25"	1022.25	
TAG 3016D		16"	28.25"	717.55	44.25"	1123.25	
TAG 3018D		18"	30.25"	768.35	48.25"	1225.55	
TAG 3020D		20"	32.25"	819.15	52.25"	1327.15	
TAG 3022D		22"	34.25"	869.95	56.25"	1428.75	
TAG 3024D		24"	36.25"	920.75	60.25"	1530.35	
TAG 3026D		26"	38.25"	971.55	64.25"	1631.95	
TAG 3028D		28"	40.25"	1022.35	68.25"	1733.55	
TAG 3030D		30"	42.25"	1073.15	72.25"	1835.15	
TAG 3036D		36"	48.25"	1225.55	84.25"	2139.95	
TAG 3042D		42"	54.25"	1377.95	96.25"	2444.75	
TAG 3048D		48"	60.25"	1530.35	108.25"	2749.55	



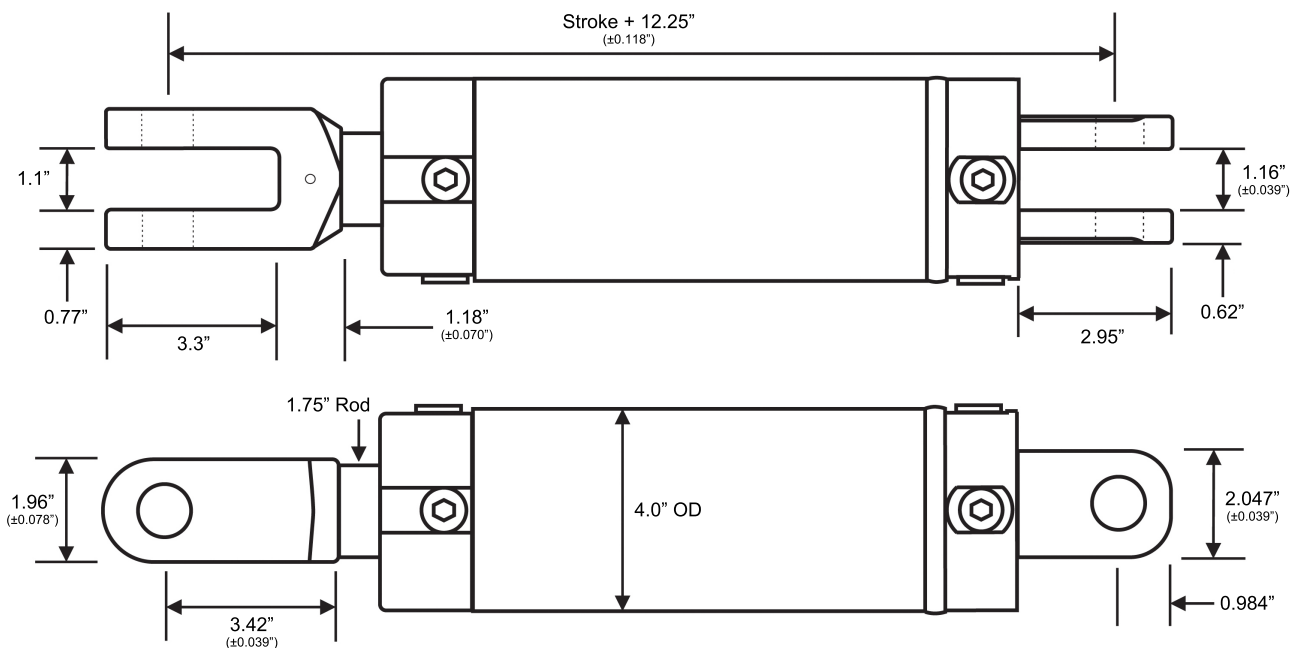
WARNING: Hydraulic cylinders without a hose burst valve, pilot operated check valve or counter balance valve directly mounted to the cylinder will not meet Australian Standard AS1418.8, nor occupational health & safety rules.

AG Cylinders 3.5" Bore



Dual Port | 2 Year Warranty | Dated Serial Number

Part #	List Price \$	Stroke	Closed		Open		Description
			Inch	mm	Inch	mm	
TAG 3506D		6"	18.25"	463.55	24.25"	615.95	Maximum Pressure: 3000 psi Ports: 3/4" UNO Pins: 1"
TAG 3508D		8"	20.25"	514.35	28.25"	714.55	
TAG 3510D		10"	22.25"	565.15	32.25"	819.15	
TAG 3512D		12"	24.25"	615.95	36.25"	920.75	
TAG 3514D		14"	26.25"	666.75	40.25"	1022.25	
TAG 3516D		16"	28.25"	717.55	44.25"	1123.25	
TAG 3518D		18"	30.25"	768.35	48.25"	1225.55	
TAG 3520D		20"	32.25"	819.15	52.25"	1327.15	
TAG 3524D		24"	36.25"	920.75	60.25"	1530.35	
TAG 3526D		26"	38.25"	971.50	64.25"	1631.95	
TAG 3528D		28"	40.25"	1022.35	68.25"	1733.55	
TAG 3530D		30"	42.25"	1073.15	72.25"	1835.15	
TAG 3536D		36"	48.25"	1225.55	84.25"	2139.95	
TAG 3542D		42"	54.25"	1377.95	96.25"	2444.75	
TAG 3548D		48"	60.25"	1530.35	108.25"	2749.55	



WARNING: Hydraulic cylinders without a hose burst valve, pilot operated check valve or counter balance valve directly mounted to the cylinder will not meet Australian Standard AS1418.8, nor occupational health & safety rules.

AG Cylinders 4.0" Bore



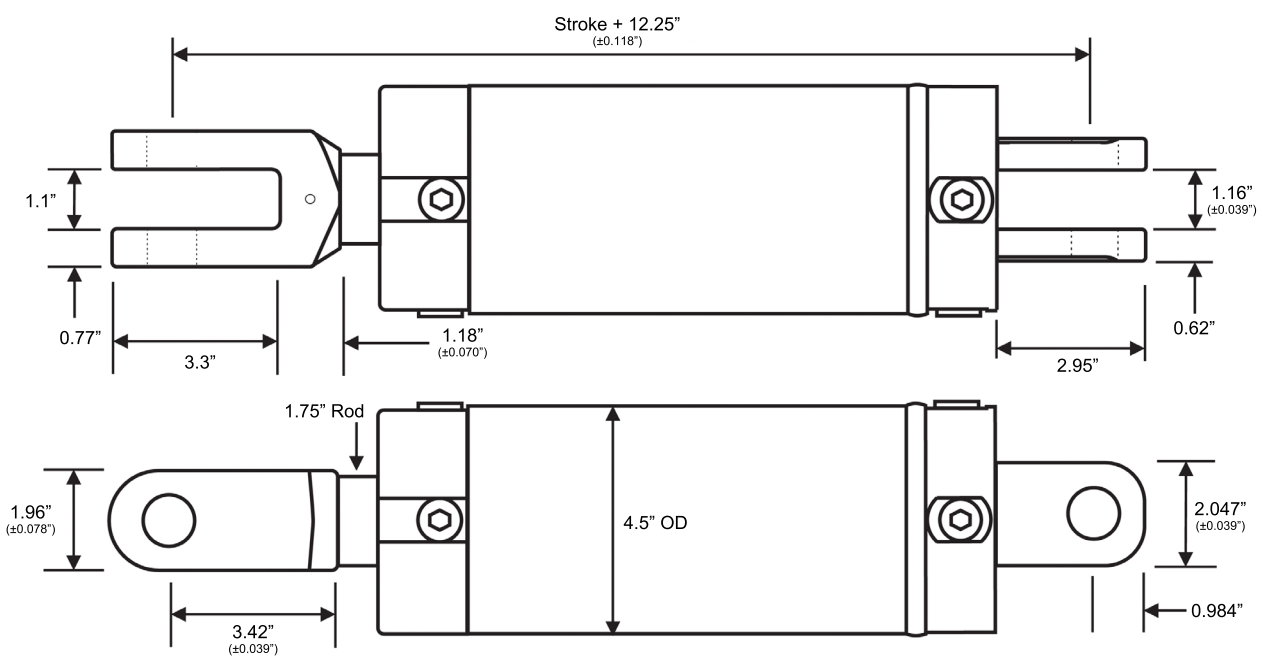
Dual Port | 2 Year Warranty | Dated Serial Number

Part #	List Price \$	Stroke	Rod	Closed		Open		Description
				Inch	mm	Inch	mm	
TAG 4004D		4"	1.75"	16.25"	412.75	20.25"	514.35	Maximum Pressure: 3000 psi
TAG 4006D		6"	1.75"	18.25"	463.55	24.25"	615.95	
TAG 4008D		8"	1.75"	20.25"	514.35	28.25"	717.55	
TAG 4010D		10"	1.75"	22.25"	565.15	32.25"	819.15	
TAG 4012D		12"	1.75"	24.25"	615.95	36.25"	920.75	
TAG 4016D		16"	1.75"	28.25"	717.55	44.25"	1123.95	
TAG 4018D		18"	1.75"	30.25"	768.35	48.25"	1225.55	
TAG 4020D		20"	1.75"	32.25"	819.15	52.25"	1327.15	
TAG 4024D		24"	1.75"	36.25"	920.75	60.25"	1530.35	
TAG 4030D		30"	1.75"	42.25"	1073.15	72.25"	1835.15	
TAG 4036D		36"	1.75"	48.25"	1225.55	84.25"	2139.95	
TAG 4042D		42"	1.75"	54.25"	1377.95	96.25"	2444.75	
TAG 4048D		48"	1.75"	60.25"	1530.35	108.25"	2749.55	
TAG 4012D 200		12"	2"	24.25"	615.95	36.25"	920.75	
TAG 4016D 200		16"	2"	28.25"	717.55	44.25"	1123.95	
TAG 4018D 200		18"	2"	30.25"	768.35	48.25"	1225.55	
TAG 4024D 200		24"	2"	36.25"	920.75	60.25"	1530.35	

Maximum Pressure:
3000 psi

Ports:
3/4" UNO

Pins:
1"



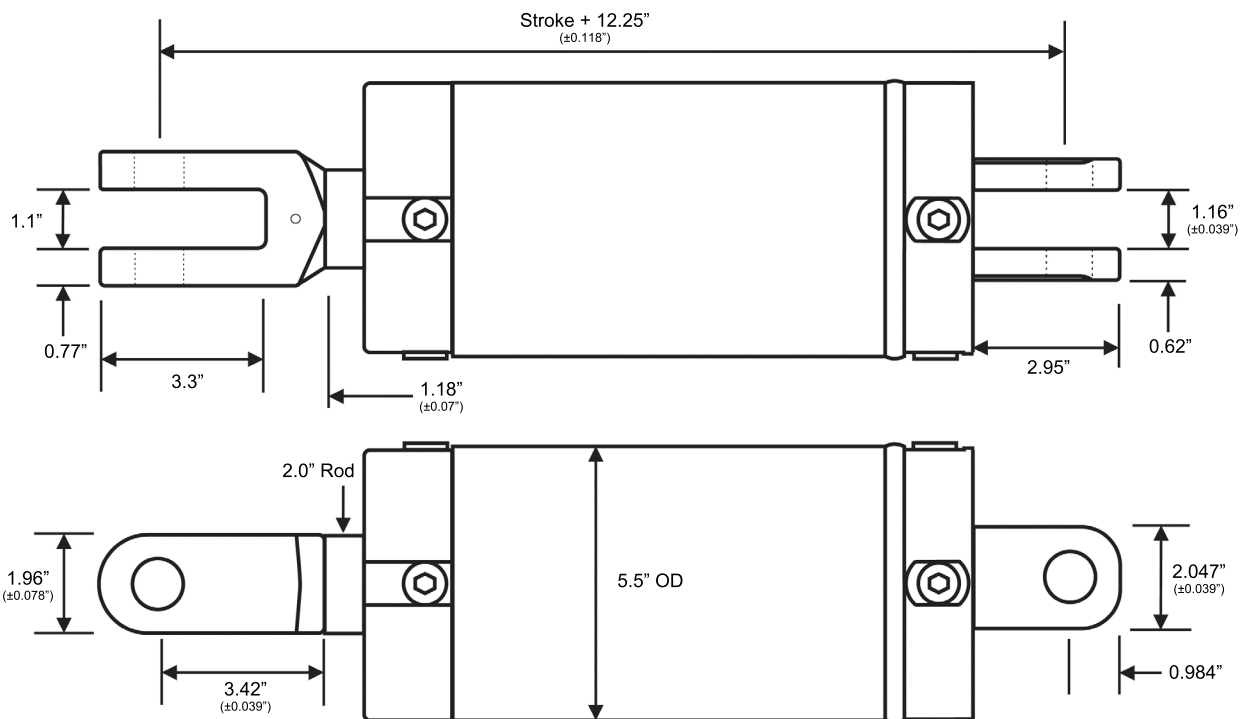
WARNING: Hydraulic cylinders without a hose burst valve, pilot operated check valve or counter balance valve directly mounted to the cylinder will not meet Australian Standard AS1418.8, nor occupational health & safety rules.

AG Cylinders 5.0" Bore



Dual Port | 2 Year Warranty | Dated Serial Number

Part #	List Price \$	Stroke	Closed		Open		Description
			Inch	mm	Inch	mm	
TAG 5008D		8"	20.25"	514.35	28.25"	717.55	Maximum Pressure: 3000 psi Ports: 3/4" UNO Pins: 1"
TAG 5012D		12"	24.25"	615.95	36.25"	920.75	
TAG 5016D		16"	28.25"	717.55	44.25"	1123.95	
TAG 5018D		18"	30.25"	768.35	48.25"	1225.55	
TAG 5020D		20"	32.25"	819.15	52.25"	1327.15	
TAG 5024D		24"	36.25"	920.75	60.25"	1530.35	
TAG 5030D		30"	42.25"	1073.15	72.25"	1835.15	
TAG 5036D		36"	48.25"	1225.55	84.25"	2139.95	
TAG 5048D		48"	60.25"	1530.35	108.25"	2749.55	



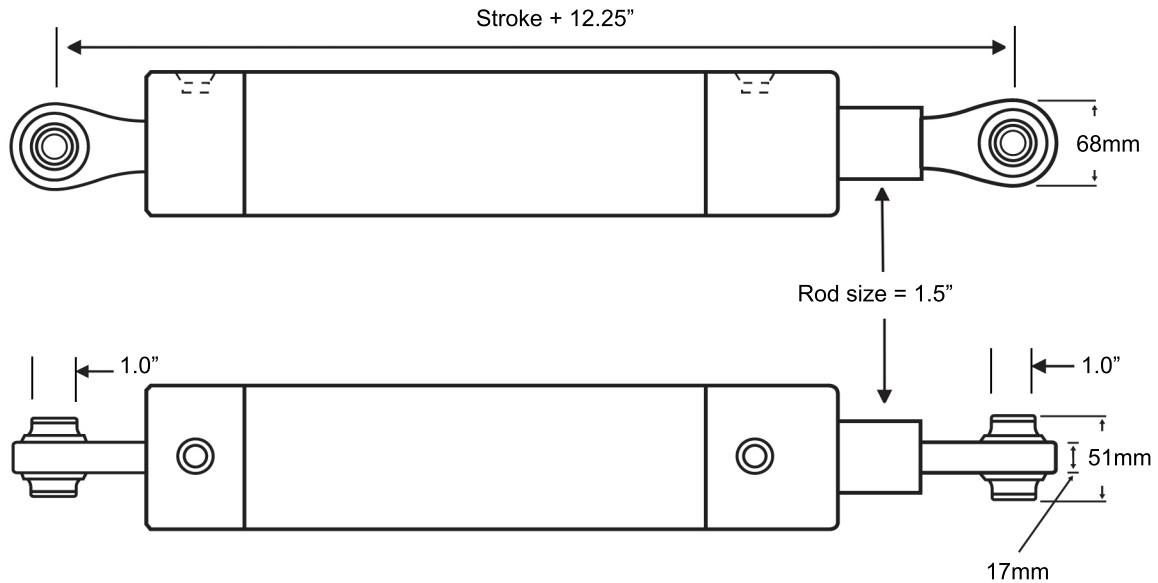
WARNING: Hydraulic cylinders without a hose burst valve, pilot operated check valve or counter balance valve directly mounted to the cylinder will not meet Australian Standard AS1418.8, nor occupational health & safety rules.

AG Toplink Cylinders 2.5" Bore



Dual Port | 2 Year Warranty | Dated Serial Number

Part #	List Price \$	Stroke	Closed		Open		Description
			Inch	mm	Inch	mm	
TAG 2504DT2		4"	16.25"	412.75	20.25"	514.35	Maximum Pressure: 3000 psi Ports: 3/4" UNO Pins: 1"
TAG 2506DT2		6"	18.25"	463.55	24.25"	615.95	
TAG 2508DT2		8"	20.25"	514.35	28.25"	717.55	
TAG 2510DT2		10"	22.25"	565.15	32.25"	819.15	
TAG 2512DT2		12"	24.25"	615.95	36.25"	920.75	



WARNING: Hydraulic cylinders without a hose burst valve, pilot operated check valve or counter balance valve directly mounted to the cylinder will not meet Australian Standard AS1418.8, nor occupational health & safety rules.

2.0" Short Closed Length Cylinders



Part #	List Price \$	Bore	Stroke	Rod	Closed		Open		Description
					Inch	mm	Inch	mm	
TAG 2004DSHCC		2"	4"	1"	13.5	342.9	17.5	444.5	Maximum Pressure: 3000 psi Ports: 9/16" UNO Pins: 3/4"
TAG 2006DSHCC		2"	6"	1"	15.5	393.7	21.5	546.1	
TAG 2008DSHCC		2"	8"	1"	17.5	444.5	25.5	647.7	
TAG 2012DSHCC		2"	12"	1"	21.5	546.1	33.5	850.9	
TAG 2016DSHCC		2"	16"	1"	25.5	647.7	41.5	1054.1	

Special Length Cylinders



Part #	List Price \$	Bore	Stroke	Rod	Closed		Open		Description
					Inch	mm	Inch	mm	
TAG 25-1500D		2.5"	1500mm	1.1/2"	71.3	1811.15	130.4	3311.15	Maximum Pressure: 3000 psi Ports: 3/4" UNO
TAG 25-2000D		2.5"	2000mm	1.1/2"	91.0	2311.15	169.7	4311.15	
TAG 25-2500D		2.5"	2500mm	1.1/2"	110.7	2811.15	209.1	5311.15	
TAG 25-3000D		2.5"	3000mm	1.1/2"	130.4	3311.15	248.5	6311.15	Pins: 1"
TAG 30-1800D-200		3.0"	1800mm	2"	83.1	2111.15	154.0	3911.15	
TAG 30-1900D-200		3.0"	1900mm	2"	87.1	2211.15	161.9	4111.15	

Concrete Truck Chute Jack Cylinders with Check Valve



Part #	List Price \$	Bore	Stroke	Rod	Closed	Open	Max Pressure	Ports	Pins
TCB 30300		3.0"	300mm	1.1/4"	564mm	864mm	3250psi	9/16"	16mm eyes

TAG2006DSHCC



TAG25-1500D



TCB30300



Whoa Stop Cylinder Stroke Control Segments



Part #	List Price \$	For Shaft Sizes	Set Contains Sizes
WA 1090		1.128" > 1.500"	0.875" - 1.000" - 1.250" - 1.500"
WA 1087		1.750" > 2.000"	1.000" - 1.500" - 2.000" - 4.250"

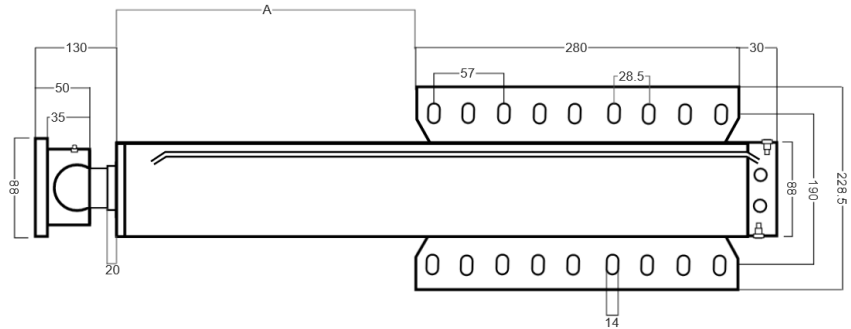


Landing Legs



Dual Pilot Check Valves | 2 Year Warranty | Dated Serial Number

Part #	List Price \$	Rod	Bore	Stroke	A	Max Pressure	Ports
TF3001620LEG-S		2"	3"	16"	245mm	3000psi	9/16" UNO
TF3002020LEG-S		2"	3"	20"	346mm	3000psi	9/16" UNO
TF3002420LEG-S		2"	3"	24"	480mm	3000psi	9/16" UNO



Swivel Foot

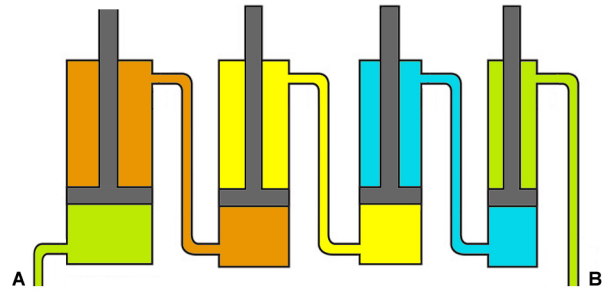


Part #	List Price \$	Description
FOOTMTFEMALE50		Fits any of our hydraulic cylinders (1.1/4" UNF thread)



All our hydraulic phasing cylinders have:

- dual ports
- dated serial numbers
- 2 year warranty
- standard clevis and rod



Phasing Cylinders - 8" Stroke

Part #	List Price \$	Bore	Stroke	Rod	Weight (kg)	Closed		Open	
						Inch	mm	Inch	mm
TVP300008125		3.00"	8"	1.25"	13	20.25	514.35	28.25	717.55
TVP325008125		3.25"	8"	1.25"	16				
TVP350008125		3.50"	8"	1.25"	18				
TVP3750081375		3.75"	8"	1.375"	20				
TVP4000081375		4.00"	8"	1.375"	22				
TVP4250081375		4.25"	8"	1.375"	24				
TVP450008150		4.50"	8"	1.50"	26				
TVP475008150		4.75"	8"	1.50"	28				
TVP500008150		5.00"	8"	1.50"	30				

Phasing Cylinders - 12" Stroke

Part #	List Price \$	Bore	Stroke	Rod	Weight (kg)	Closed		Open	
						Inch	mm	Inch	mm
TVP300012125		3.00"	12"	1.25"	16	24.25	615.95	36.25	920.75
TVP325012125		3.25"	12"	1.25"	19				
TVP350012125		3.50"	12"	1.25"	23				
TVP3750121375		3.75"	12"	1.375"	24				
TVP4000121375		4.00"	12"	1.375"	25				
TVP4250121375		4.25"	12"	1.375"	26				
TVP450012150		4.50"	12"	1.50"	30				
TVP475012150		4.75"	12"	1.50"	32				
TVP500012150		5.00"	12"	1.50"	34				

Phasing Cylinders - 16" Stroke

Part #	List Price \$	Bore	Stroke	Rod	Weight (kg)	Closed		Open	
						Inch	mm	Inch	mm
TVP300016125		3.00"	16"	1.25"	18	28.25	717.55	44.25	1123.95
TVP325016125		3.25"	16"	1.25"	21				
TVP350016125		3.50"	16"	1.25"	24				
TVP3750161375		3.75"	16"	1.375"	29				
TVP4000161375		4.00"	16"	1.375"	30				
TVP4250161375		4.25"	16"	1.375"	31				
TVP450016150		4.50"	16"	1.50"	33				
TVP475016150		4.75"	16"	1.50"	35				
TVP500016150		5.00"	16"	1.50"	36				



Phasing Cylinders - 18" Stroke

Part #	List Price \$	Bore	Stroke	Rod	Weight (kg)	Closed		Open	
						Inch	mm	Inch	mm
TVP300018125		3.00"	18"	1.25"	19	30.25	768.35	48.25	1225.55
TVP325018125		3.25"	18"	1.25"	22				
TVP350018125		3.50"	18"	1.25"	25				
TVP3750181375		3.75"	18"	1.375"	30				
TVP4000181375		4.00"	18"	1.375"	31				
TVP4250181375		4.25"	18"	1.375"	32				
TVP450018150		4.50"	18"	1.50"	34				
TVP475018150		4.75"	18"	1.50"	36				
TVP500018150		5.00"	18"	1.50"	38				

Phasing Cylinders - 24" Stroke

Part #	List Price \$	Bore	Stroke	Rod	Weight (kg)	Closed		Open	
						Inch	mm	Inch	mm
TVP300024125		3.00"	24"	1.25"	22	36.25	920.75	60.25	1530.35
TVP325024125		3.25"	24"	1.25"	25				
TVP350024125		3.50"	24"	1.25"	25				
TVP3750241375		3.75"	24"	1.375"	33				
TVP4000241375		4.00"	24"	1.375"	34				
TVP4250241375		4.25"	24"	1.375"	36				
TVP450024150		4.50"	24"	1.50"	37				
TVP475024150		4.75"	24"	1.50"	39				
TVP500024150		5.00"	24"	1.50"	41				

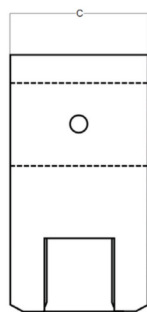
Phasing Cylinders - 36" Stroke

Part #	List Price \$	Bore	Stroke	Rod	Weight (kg)	Closed		Open	
						Inch	mm	Inch	mm
TVP300036125		3.00"	36"	1.25"	29	48.25	1225.55	84.25	2139.95
TVP325036125		3.25"	36"	1.25"	31				
TVP350036125		3.50"	36"	1.25"	38				
TVP3750361375		3.75"	36"	1.375"	40				
TVP4000361375		4.00"	36"	1.375"	42				
TVP4250361375		4.25"	36"	1.375"	44				
TVP450036150		4.50"	36"	1.50"	47				
TVP475036150		4.75"	36"	1.50"	51				
TVP500036150		5.00"	36"	1.50"	54				

Cylinder Attachments

Part #	List Price \$	Type	Thread	Pin Size	Material	Dimensions (mm)			Pin To Suit
						A	B	C	
CL075		Female Clevis	3/4" UNF	0.75"	Steel	51	21	40	CLPN075-48.3
CL100-1.125		Female Clevis	1.1/8" UNF	1.0"	Cast Iron	87	28.5	62	CLPN1-77
CL100-82		Female Clevis	1.1/4" UNF	1.0"	SG Iron	82	28.5	62	CLPN1-77
CL100		Female Clevis	1.1/4" UNF	1.0"	SG Iron	87	28.5	62	CLPN1-77
CL100AD		Adj. Female Clevis	1.1/4" UNF	1.0"	SG Iron	85.5	29	69	CLPN1-94SC
CL100STEEL		Female Clevis	1.1/4" UNF	1.0"	Steel	87	28.6	62	CLPN1-77
CL125CAST		Female Clevis	1.1/4" UNF	1.25"	SG Iron	87	28.5	62	CLPN125-80
CL150		Block End	1.1/4" UNF	1.5" *	Steel	87	-	63	-
CLM075		Block End	3/4" UNF	0.75"	Steel	51	-	40	-
CLM100		Block End	1.1/4" UNF	1.0"	Steel	87	-	50	-
B310		Ball End	Weld on	0.75"	Steel	-	-	-	-
B311		Ball End	Weld on	1.0"	Steel	-	-	-	-

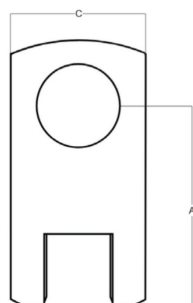
* Reduction bushes to 1" are supplied with CL150 (can also be bushed to other sizes). Grease port included.



Block End Clevis



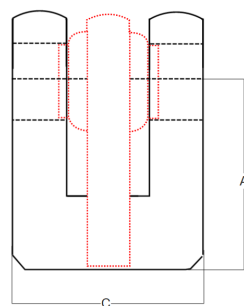
CL075



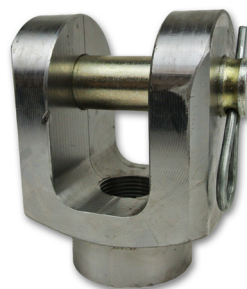
Female Clevis



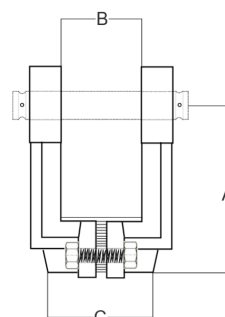
CL100



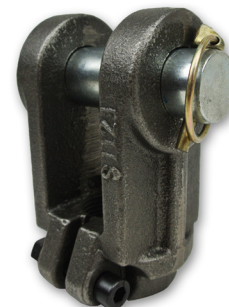
Female Clevis



CL100 STEEL



Adjustable Female Clevis



CL100-AD



CL150



CLM075



B310



B311

Other cylinder components also stocked (including glands, pistons, endcaps) - contact us for more information

Cylinder Pins

Part #	List Price \$	Dimensions (mm)		
		A	B	C
CLPN075-48.3		3/4"	48.3mm	57.5mm
CLPN1-69		1"	69mm	81mm
CLPN1-60		1"	60mm	72mm
CLPN1-77		1"	78mm	90mm
CLPN125-80		1.1/4"	80mm	95mm

Pin Selection Guide

Cylinder Size	Size	Clevis Pin	Base End Pin
TAG 15	3/4"	CLPN075-48.3	CLPN075-48.3
TAG 20 SHORT CC	3/4"	CLPN075-48.3	CLPN075-48.3
TAG 20	1"	CLPN1-69	CLPN1-60
TAG 25	1"	CLPN1-69	CLPN1-69
TAG 30	1"	CLPN1-77	CLPN1-69
TAG 35	1"	CLPN1-77	CLPN1-77
TAG 40	1"	CLPN1-77	CLPN1-77
TAG 50	1"	CLPN1-77	CLPN1-77



CLPN125/CLPN1



CLPN075

Cylinder Breathers

Part #	List Price \$	Description
A9431		Cylinder breather - brass cloth mesh filter - aluminium - 9/16-18 UNO thread
16329A		Cylinder breather - brass cloth mesh filter - aluminium - 3/4-16 UNO thread

Cylinder Seal Kits

Part #	List Price \$	Cylinder Type	Bore Size	Shaft Size
SK15087CAT		TAG Cylinder	1.5"	0.875"
SK20125CAT		TAG Cylinder	2.0"	1.25"
SK2515CAT		TAG Cylinder	2.5"	1.5"
SK3015CAT		TAG Cylinder	3.0"	1.5"
SK35175CAT		TAG Cylinder	3.5"	1.75"
SK40175CAT		TAG Cylinder	4.0"	1.75"
SK5020CAT		TAG Cylinder	5.0"	2.0"



Hydraulics Network

MELBOURNE

VICTORIA

- 📍 23 Quinlan Road, Epping, VIC 3076
- ✉️ sales@hydraulicsnetwork.com.au
- ☎️ 03 9399 8957

BRISBANE

QUEENSLAND

- 📍 29 Annie Street, Coopers Plains, QLD 4108
- ✉️ salesqld@hydraulicsnetwork.com.au
- ☎️ 07 3277 5969

www.hydraulicsnetwork.com.au

AUSTRALIAN-OWNED
INDEPENDENT HYDRAULICS WHOLESALER