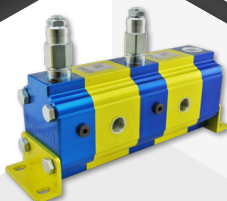


Hydraulics Network

CATALOGUE **2026**
HYDRAULIC CYLINDERS



MiMOTION

**TECH
DATA**

AG Cylinders 1.5" Bore

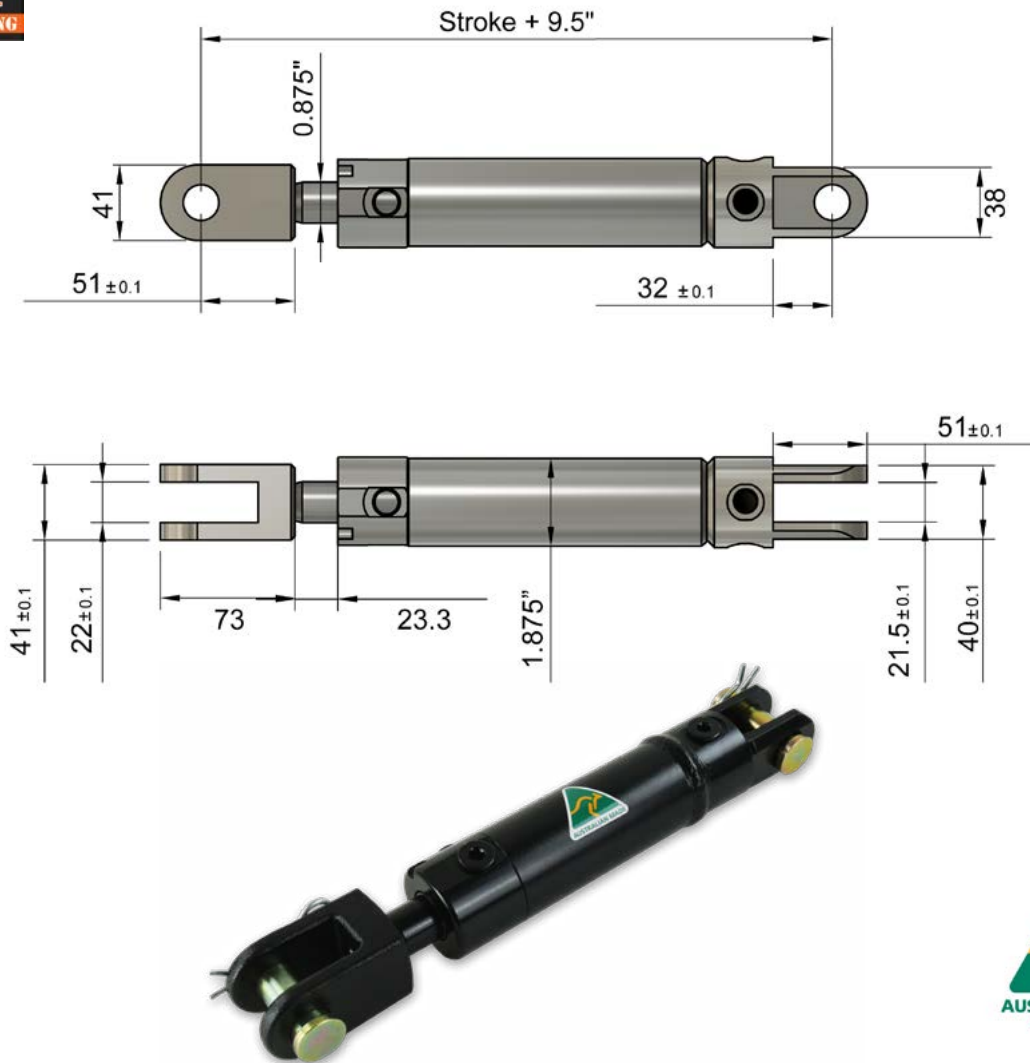
Dual Port | Dated Serial Number

Part #	Stroke	Rod	Closed		Open		Description
			Inch	mm	Inch	mm	
TAG 1502D	2"	0.875"	11.5"	292.1	13.5"	342.9	Maximum Pressure: 3000 psi Ports: 9/16" UNO Pins: 3/4"
TAG 1504D	4"	0.875"	13.5"	342.9	17.5"	444.5	
TAG 1506D	6"	0.875"	15.5"	393.7	21.5"	546.1	
TAG 1508D	8"	0.875"	17.5"	444.5	25.5"	647.7	
TAG 1510D	10"	0.875"	19.5"	495.3	29.5"	749.3	
TAG 1512D	12"	0.875"	21.5"	546.1	33.5"	850.9	
TAG 1514D	14"	0.875"	23.5"	596.9	37.5"	952.5	
TAG 1516D	16"	0.875"	25.5"	647.7	41.5"	1054.1	
TAG 1518D	18"	0.875"	27.5"	698.5	45.5"	1155.7	
TAG 1520D	20"	0.875"	29.5"	749.3	49.5"	1257.3	
TAG 1524D	24"	0.875"	33.5"	850.9	57.5"	1460.5	
TAG 1530D	30"	0.875"	39.5"	1003.3	69.5"	1765.3	
TAG 1536D	36"	0.875"	45.5"	1155.7	81.5"	2070.1	
TAG 1542D	42"	0.875"	51.5"	1308.0	93.5"	2375.0	
TAG 1548D	48"	0.875"	57.5"	1460.5	105.5"	2679.7	



WARNING

Hydraulic cylinders without a hose burst valve, pilot operated check valve or counter balance valve directly mounted to the cylinder will not meet Australian Standard AS1418.8, nor occupational health & safety rules.



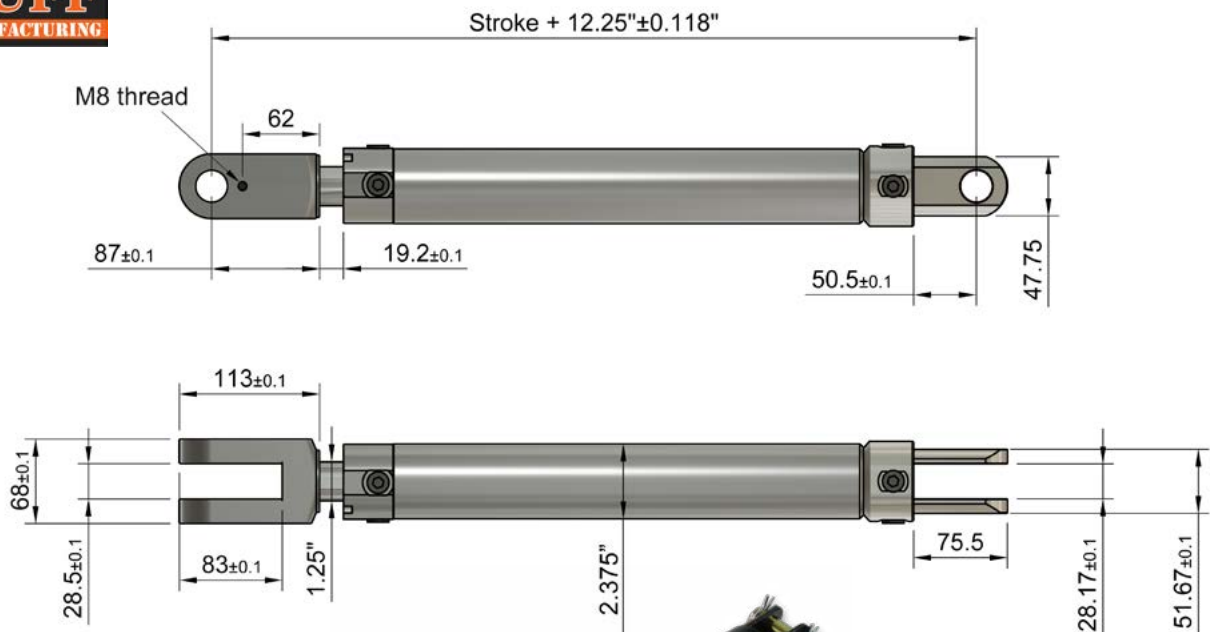
**TECH
DATA**

AG Cylinders 2.0" Bore

Dual Port | Dated Serial Number

Part #	Stroke	Rod	Closed		Open		Description
			Inch	mm	Inch	mm	
TAG 2002D	2"	1.25"	14.25"	361.95	16.25"	412.75	Maximum Pressure: 3000 psi Ports: 9/16" UNO Pins: 1" Clevis has provision for locking pin (CLPN1-77LCKKIT) see page 32
TAG 2004D	4"	1.25"	16.25"	412.75	20.25"	514.35	
TAG 2006D	6"	1.25"	18.25"	463.55	24.25"	615.95	
TAG 2008D	8"	1.25"	20.25"	514.35	28.25"	717.55	
TAG 2010D	10"	1.25"	22.25"	565.15	32.25"	819.15	
TAG 2012D	12"	1.25"	24.25"	615.95	36.25"	920.75	
TAG 2014D	14"	1.25"	26.25"	666.75	40.25"	1022.35	
TAG 2016D	16"	1.25"	28.25"	717.55	44.25"	1123.95	
TAG 2018D	18"	1.25"	30.25"	768.35	48.25"	1225.55	
TAG 2020D	20"	1.25"	32.25"	819.15	52.25"	1327.15	
TAG 2022D	22"	1.25"	34.25"	869.95	56.25"	1428.75	
TAG 2024D	24"	1.25"	36.25"	920.75	60.25"	1530.35	
TAG 2026D	26"	1.25"	38.25"	971.55	64.25"	1631.95	
TAG 2028D	28"	1.25"	40.25"	1022.35	68.25"	1733.55	
TAG 2030D	30"	1.25"	42.25"	1073.15	72.25"	1835.15	
TAG 2036D	36"	1.25"	48.25"	1225.55	84.25"	2139.95	
TAG 2042D	42"	1.25"	54.25"	1377.95	96.25"	2444.75	
TAG 2048D	48"	1.25"	60.25"	1530.35	108.25"	2749.55	
TAG 2054D	54"	1.25"	66.25"	1682.75	120.25"	3054.35	

WARNING Hydraulic cylinders without a hose burst valve, pilot operated check valve or counter balance valve directly mounted to the cylinder will not meet Australian Standard AS1418.8, nor occupational health & safety rules.



**TECH
DATA**

AG Cylinders 2.5" Bore

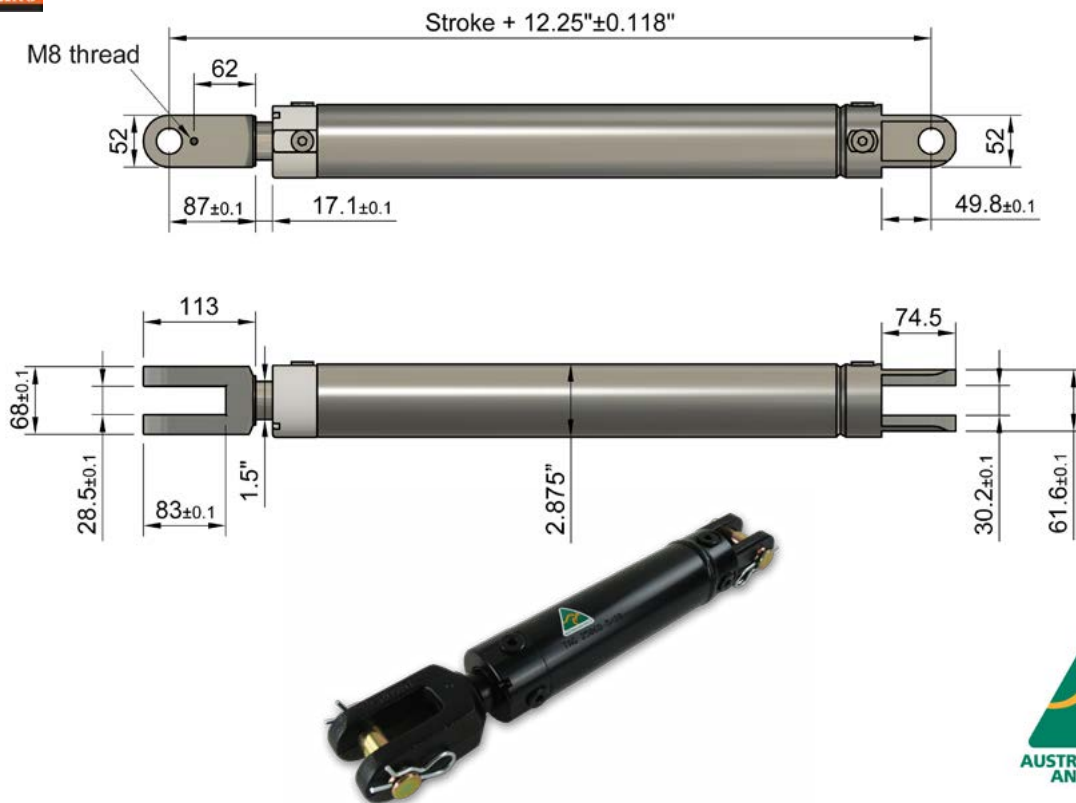
Dual Port | Dated Serial Number

Part #	Stroke	Rod	Closed		Open		Description
			Inch	mm	Inch	mm	
TAG 2504D	4"	1.5"	16.25"	412.75	20.25"	514.35	Maximum Pressure: 3000 psi Ports: 3/4" UNO Pins: 1" Clevis has provision for locking pin (CLPN1-77LCKKIT) see page 32
TAG 2506D	6"	1.5"	18.25"	463.55	24.25"	615.95	
TAG 2508D	8"	1.5"	20.25"	514.35	28.25"	717.55	
TAG 2510D	10"	1.5"	22.25"	565.15	32.25"	819.15	
TAG 2512D	12"	1.5"	24.25"	615.95	36.25"	920.75	
TAG 2514D	14"	1.5"	26.25"	666.75	40.25"	1022.25	
TAG 2516D	16"	1.5"	28.25"	717.55	44.25"	1123.25	
TAG 2518D	18"	1.5"	30.25"	768.35	48.25"	1225.55	
TAG 2520D	20"	1.5"	32.25"	819.15	52.25"	1327.15	
TAG 2522D	22"	1.5"	34.25"	869.95	56.25"	1428.75	
TAG 2524D	24"	1.5"	36.25"	920.75	60.25"	1530.35	
TAG 2526D	26"	1.5"	38.25"	971.55	64.25"	1631.95	
TAG 2528D	28"	1.5"	40.25"	1022.25	68.25"	1733.55	
TAG 2530D	30"	1.5"	42.25"	1073.15	72.25"	1835.15	
TAG 2536D	36"	1.5"	48.25"	1225.55	84.25"	2139.95	
TAG 2542D	42"	1.5"	54.25"	1377.95	96.25"	2444.75	
TAG 2548D	48"	1.5"	60.25"	1530.35	108.25"	2749.55	
TAG 25-1500D	1500mm	1.5"	71.30"	1811.15	130.36"	3311.15	
TAG 25-2000D	2000mm	1.5"	90.98"	2311.15	169.73"	4311.15	
TAG 25-2500D	2500mm	1.5"	110.67"	2811.15	209.10"	5311.15	
TAG 25-3000D	3000mm	1.5"	130.40"	3311.15	248.50"	6311.15	



WARNING

Hydraulic cylinders without a hose burst valve, pilot operated check valve or counter balance valve directly mounted to the cylinder will not meet Australian Standard AS1418.8, nor occupational health & safety rules.



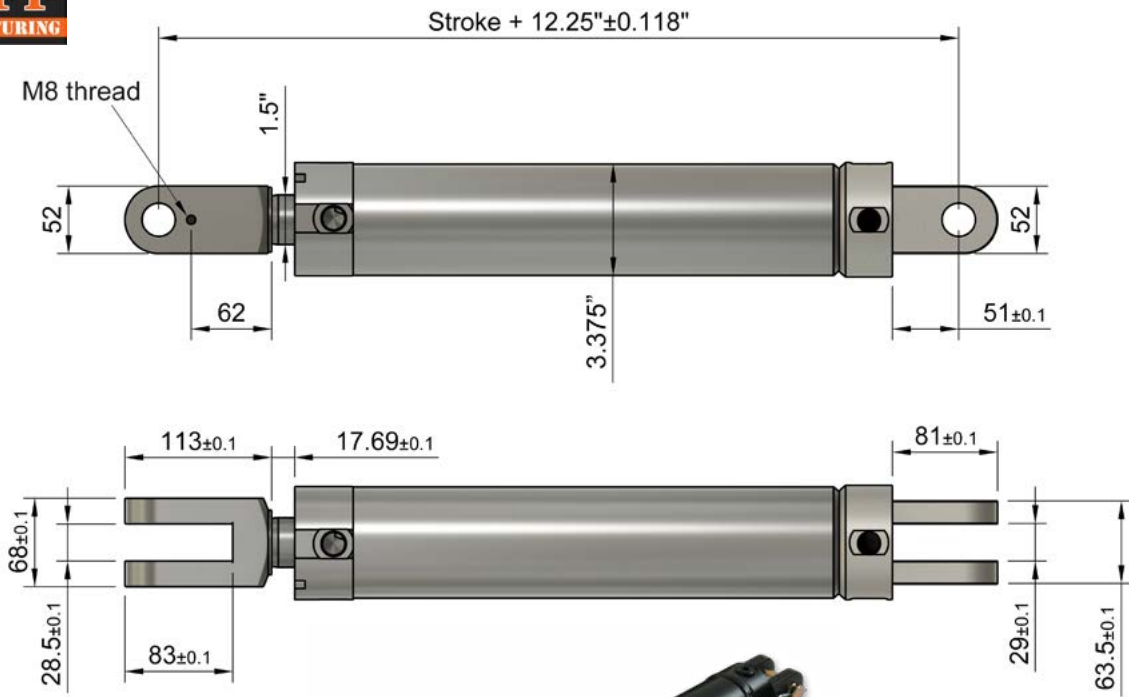
**TECH
DATA**

AG Cylinders 3.0" Bore

Dual Port | Dated Serial Number

Part #	Stroke	Rod	Closed		Open		Description
			Inch	mm	Inch	mm	
TAG 3004D	4"	1.5"	16.25"	412.75	20.25"	514.35	Maximum Pressure: 3000 psi Ports: 3/4" UNO Pins: 1" Clevis has provision for locking pin (CLPN1-77LCKKIT) see page 32
TAG 3006D	6"	1.5"	18.25"	463.55	24.25"	615.95	
TAG 3008D	8"	1.5"	20.25"	514.35	28.25"	717.55	
TAG 3010D	10"	1.5"	22.25"	565.15	32.25"	819.15	
TAG 3012D	12"	1.5"	24.25"	615.95	36.25"	920.75	
TAG 3014D	14"	1.5"	26.25"	666.75	40.25"	1022.25	
TAG 3016D	16"	1.5"	28.25"	717.55	44.25"	1123.25	
TAG 3018D	18"	1.5"	30.25"	768.35	48.25"	1225.55	
TAG 3020D	20"	1.5"	32.25"	819.15	52.25"	1327.15	
TAG 3022D	22"	1.5"	34.25"	869.95	56.25"	1428.75	
TAG 3024D	24"	1.5"	36.25"	920.75	60.25"	1530.35	
TAG 3026D	26"	1.5"	38.25"	971.55	64.25"	1631.95	
TAG 3028D	28"	1.5"	40.25"	1022.35	68.25"	1733.55	
TAG 3030D	30"	1.5"	42.25"	1073.15	72.25"	1835.15	
TAG 3036D	36"	1.5"	48.25"	1225.55	84.25"	2139.95	
TAG 3042D	42"	1.5"	54.25"	1377.95	96.25"	2444.75	
TAG 3048D	48"	1.5"	60.25"	1530.35	108.25"	2749.55	
TAG 30-1800D-200	1800mm	2"	83.1"	2111.15	154.0"	3911.15	
TAG 30-1900D-200	1900mm	2"	87.1"	2211.5	161.9"	4111.15	

WARNING Hydraulic cylinders without a hose burst valve, pilot operated check valve or counter balance valve directly mounted to the cylinder will not meet Australian Standard AS1418.8, nor occupational health & safety rules.



**TECH
DATA**

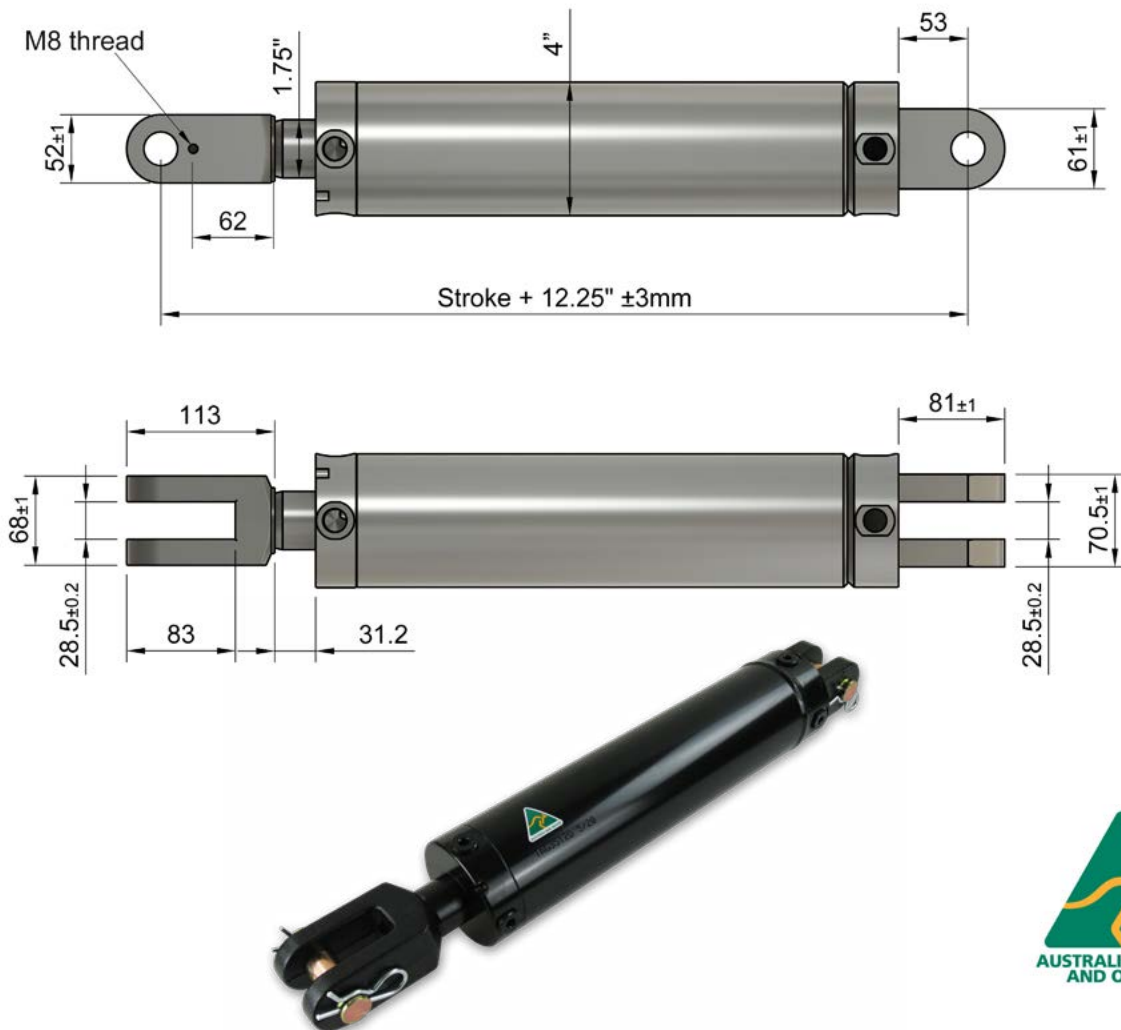
AG Cylinders 3.5" Bore

Dual Port | Dated Serial Number

Part #	Stroke	Rod	Closed		Open		Description
			Inch	mm	Inch	mm	
TAG 3506D	6"	1.75"	18.25"	463.55	24.25"	615.95	Maximum Pressure: 3000 psi Ports: 3/4" UNO Pins: 1" Clevis has provision for locking pin (CLPN1-77LCKKIT) see page 32
TAG 3508D	8"	1.75"	20.25"	514.35	28.25"	714.55	
TAG 3510D	10"	1.75"	22.25"	565.15	32.25"	819.15	
TAG 3512D	12"	1.75"	24.25"	615.95	36.25"	920.75	
TAG 3514D	14"	1.75"	26.25"	666.75	40.25"	1022.25	
TAG 3516D	16"	1.75"	28.25"	717.55	44.25"	1123.25	
TAG 3518D	18"	1.75"	30.25"	768.35	48.25"	1225.55	
TAG 3520D	20"	1.75"	32.25"	819.15	52.25"	1327.15	
TAG 3524D	24"	1.75"	36.25"	920.75	60.25"	1530.35	
TAG 3526D	26"	1.75"	38.25"	971.50	64.25"	1631.95	
TAG 3528D	28"	1.75"	40.25"	1022.35	68.25"	1733.55	
TAG 3530D	30"	1.75"	42.25"	1073.15	72.25"	1835.15	
TAG 3536D	36"	1.75"	48.25"	1225.55	84.25"	2139.95	
TAG 3542D	42"	1.75"	54.25"	1377.95	96.25"	2444.75	
TAG 3548D	48"	1.75"	60.25"	1530.35	108.25"	2749.55	

WARNING

Hydraulic cylinders without a hose burst valve, pilot operated check valve or counter balance valve directly mounted to the cylinder will not meet Australian Standard AS1418.8, nor occupational health & safety rules.



**TECH
DATA**

AG Cylinders 4.0" Bore

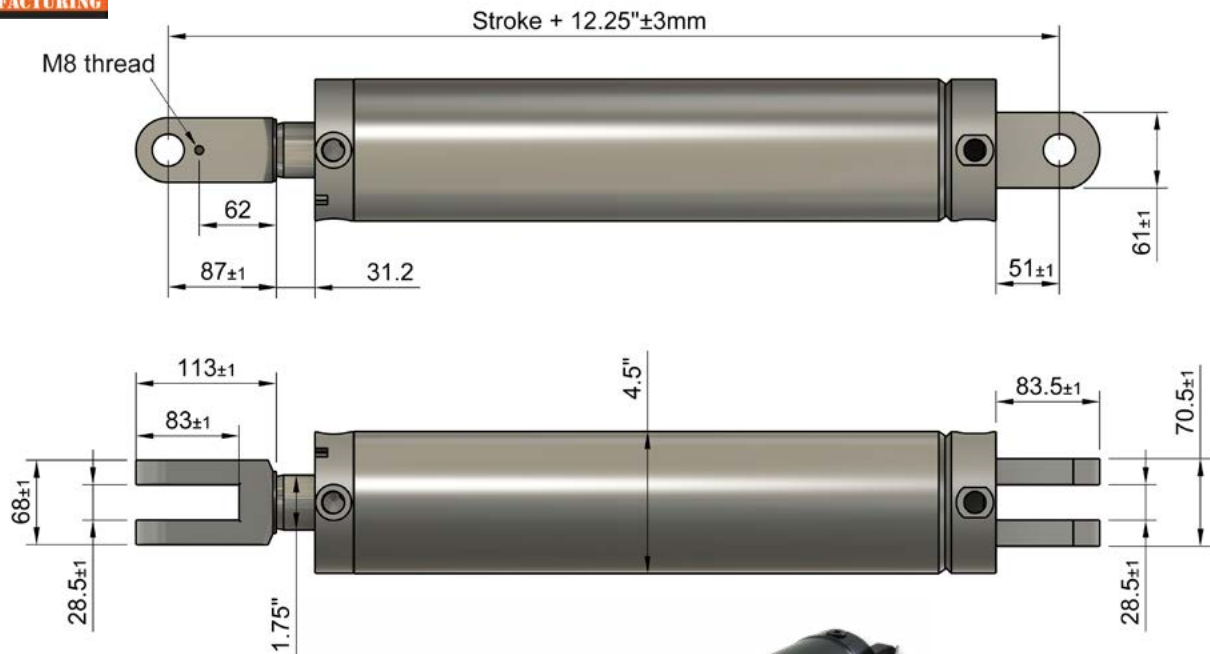
Dual Port | Dated Serial Number

Part #	Stroke	Rod	Closed		Open		Description
			Inch	mm	Inch	mm	
TAG 4004D	4"	1.75"	16.25"	412.75	20.25"	514.35	Maximum Pressure: 3000 psi Ports: 3/4" UNO Pins: 1" Clevis has provision for locking pin (CLPN1-77LCKKIT) see page 32
TAG 4006D	6"	1.75"	18.25"	463.55	24.25"	615.95	
TAG 4008D	8"	1.75"	20.25"	514.35	28.25"	717.55	
TAG 4010D	10"	1.75"	22.25"	565.15	32.25"	819.15	
TAG 4012D	12"	1.75"	24.25"	615.95	36.25"	920.75	
TAG 4016D	16"	1.75"	28.25"	717.55	44.25"	1123.95	
TAG 4018D	18"	1.75"	30.25"	768.35	48.25"	1225.55	
TAG 4020D	20"	1.75"	32.25"	819.15	52.25"	1327.15	
TAG 4024D	24"	1.75"	36.25"	920.75	60.25"	1530.35	
TAG 4030D	30"	1.75"	42.25"	1073.15	72.25"	1835.15	
TAG 4036D	36"	1.75"	48.25"	1225.55	84.25"	2139.95	
TAG 4042D	42"	1.75"	54.25"	1377.95	96.25"	2444.75	
TAG 4048D	48"	1.75"	60.25"	1530.35	108.25"	2749.55	
TAG 4012D 200	12"	2"	24.25"	615.95	36.25"	920.75	
TAG 4016D 200	16"	2"	28.25"	717.55	44.25"	1123.95	
TAG 4018D 200	18"	2"	30.25"	768.35	48.25"	1225.55	
TAG 4024D 200	24"	2"	36.25"	920.75	60.25"	1530.35	



WARNING

Hydraulic cylinders without a hose burst valve, pilot operated check valve or counter balance valve directly mounted to the cylinder will not meet Australian Standard AS1418.8, nor occupational health & safety rules.



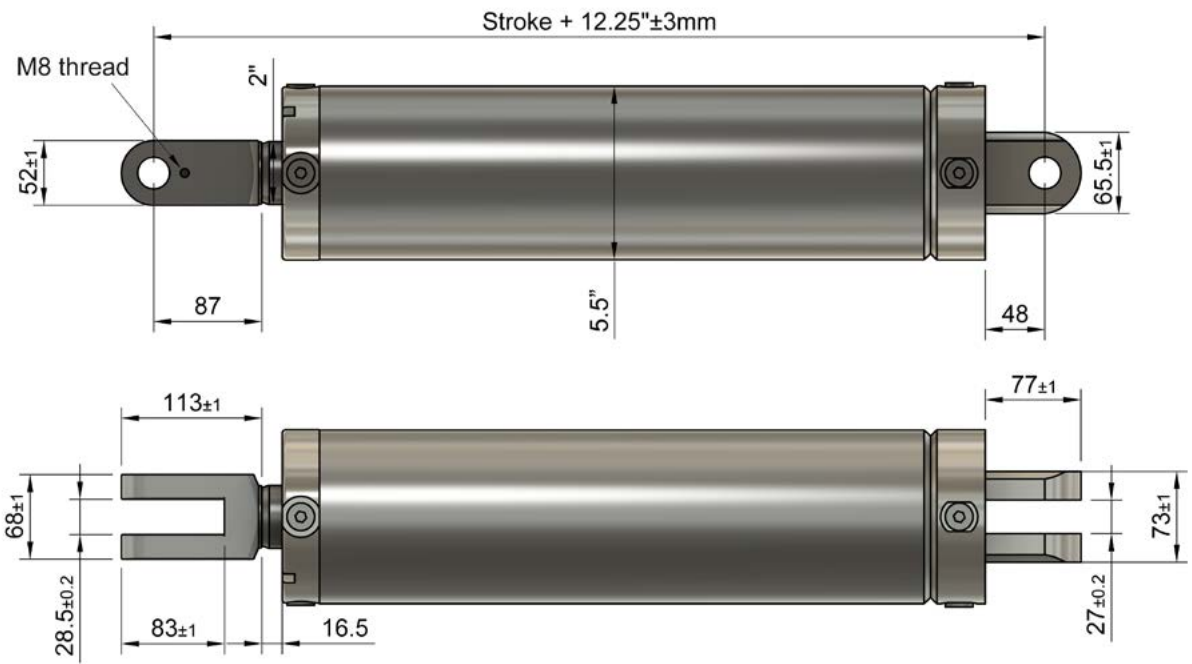
**TECH
DATA**

AG Cylinders 5.0" Bore

Dual Port | Dated Serial Number

Part #	Stroke	Rod	Closed		Open		Description
			Inch	mm	Inch	mm	
TAG 5008D	8"	2"	20.25"	514.35	28.25"	717.55	Maximum Pressure: 3000 psi Ports: 3/4" UNO Pins: 1" Clevis has provision for locking pin (CLPN1-77LCKKIT) see page 32
TAG 5012D	12"	2"	24.25"	615.95	36.25"	920.75	
TAG 5016D	16"	2"	28.25"	717.55	44.25"	1123.95	
TAG 5018D	18"	2"	30.25"	768.35	48.25"	1225.55	
TAG 5020D	20"	2"	32.25"	819.15	52.25"	1327.15	
TAG 5024D	24"	2"	36.25"	920.75	60.25"	1530.35	
TAG 5030D	30"	2"	42.25"	1073.15	72.25"	1835.15	
TAG 5036D	36"	2"	48.25"	1225.55	84.25"	2139.95	
TAG 5048D	48"	2"	60.25"	1530.35	108.25"	2749.55	

WARNING Hydraulic cylinders without a hose burst valve, pilot operated check valve or counter balance valve directly mounted to the cylinder will not meet Australian Standard AS1418.8, nor occupational health & safety rules.



TECH DATA

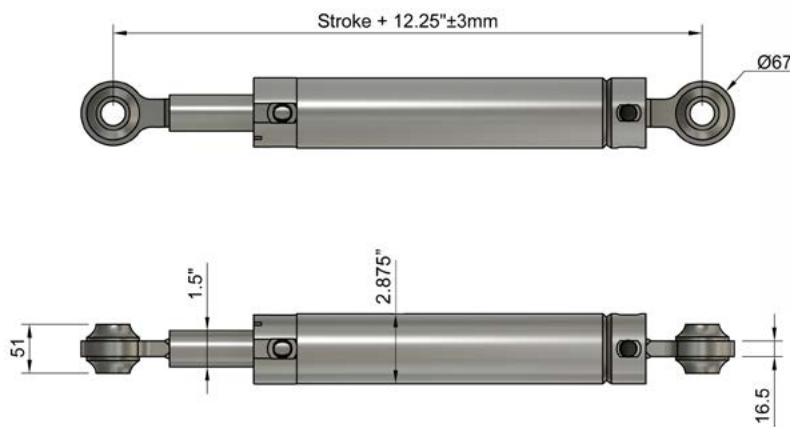
AG Toplink Cylinders 2.5" Bore

Dual Port | Dated Serial Number

Part #	Stroke	Rod	Closed		Open		Description
			Inch	mm	Inch	mm	
TAG 2504DT2	4"	1.5"	16.25"	412.75	20.25"	514.35	Maximum Pressure: 3000 psi Ports: 3/4" UNO Pins: 1"
TAG 2506DT2	6"	1.5"	18.25"	463.55	24.25"	615.95	
TAG 2508DT2	8"	1.5"	20.25"	514.35	28.25"	717.55	
TAG 2510DT2	10"	1.5"	22.25"	565.15	32.25"	819.15	
TAG 2512DT2	12"	1.5"	24.25"	615.95	36.25"	920.75	

WARNING

Hydraulic cylinders without a hose burst valve, pilot operated check valve or counter balance valve directly mounted to the cylinder will not meet Australian Standard AS1418.8, nor occupational health & safety rules.



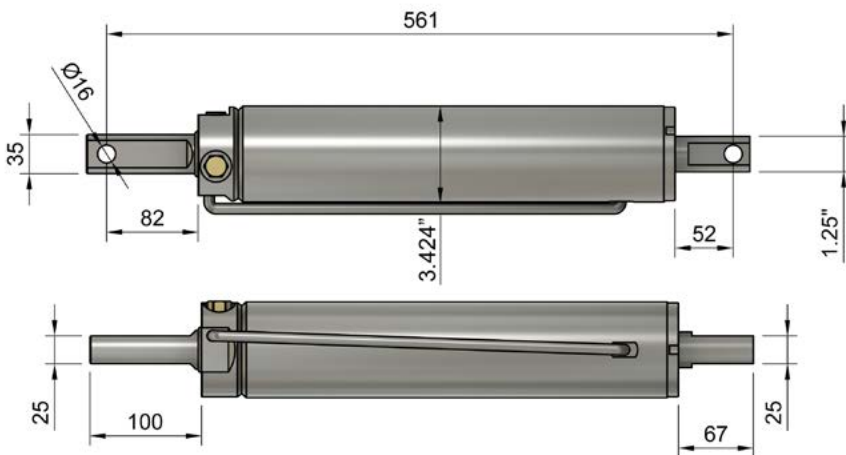
TECH DATA

Concrete Truck Chute Jack Cylinders with Check Valve

Part #	Bore	Stroke	Rod	Closed	Open	Max Pressure	Ports	Pins
TCB 30300	3.0"	300mm	1.1/4"	561mm	861mm	2700 psi	9/16"	16mm eyes

WARNING

Hydraulic cylinders without a hose burst valve, pilot operated check valve or counter balance valve directly mounted to the cylinder will not meet Australian Standard AS1418.8, nor occupational health & safety rules.



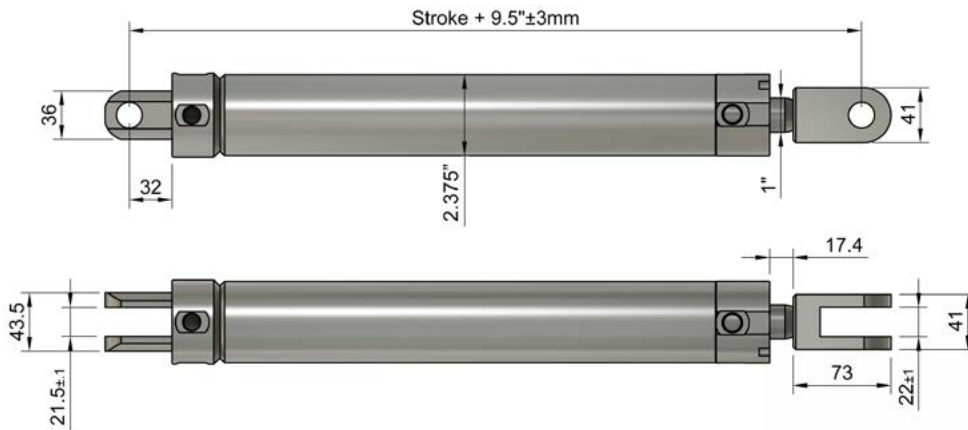
**TECH
DATA**

2.0" Short Closed Length Cylinders

Dual Port | Dated Serial Number

Part #	Bore	Stroke	Rod	Closed		Open		Description
				Inch	mm	Inch	mm	
TAG 2004DSHCC	2"	4"	1"	13.5	342.9	17.5	444.5	Maximum Pressure: 3000 psi Ports: 9/16" UNO Pins: 3/4"
TAG 2006DSHCC	2"	6"	1"	15.5	393.7	21.5	546.1	
TAG 2008DSHCC	2"	8"	1"	17.5	444.5	25.5	647.7	
TAG 2010DSHCC	2"	10"	1"	19.5	495.3	27.5	698.5	
TAG 2012DSHCC	2"	12"	1"	21.5	546.1	33.5	850.9	
TAG 2014DSHCC	2"	14"	1"	23.5	596.9	35.5	901.7	
TAG 2016DSHCC	2"	16"	1"	25.5	647.7	41.5	1054.1	
TAG 2018DSHCC	2"	18"	1"	27.5	698.5	43.5	1104.9	
TAG 2030DSHCC	2"	30"	1"	39.5	1003.3	55.5	1409.7	

WARNING Hydraulic cylinders without a hose burst valve, pilot operated check valve or counter balance valve directly mounted to the cylinder will not meet Australian Standard AS1418.8, nor occupational health & safety rules.



**TECH
DATA**

Whoa Stop Cylinder Stroke Control Segments

Part #	For Shaft Sizes	Set Contains Sizes
WA 1090	1.128" > 1.500"	0.875" - 1.000" - 1.250" - 1.500"
WA 1087	1.750" > 2.000"	1.000" - 1.500" - 2.000" - 4.250"

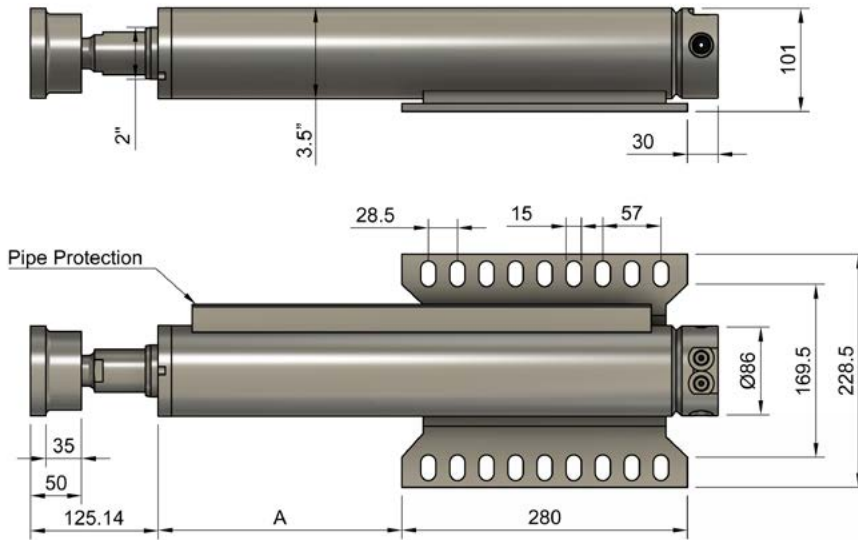


TECH DATA

Landing Legs

Dual Pilot Check Valves | Dated Serial Number

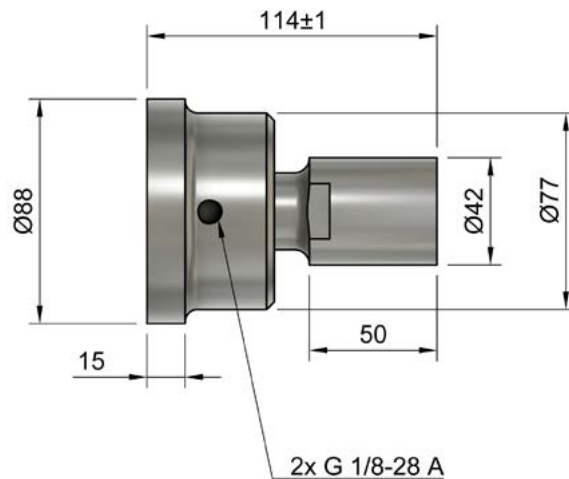
Part #	Rod	Bore	Stroke	A	Max Pressure	Ports
TF3001620LEG-S	2"	3"	16"	245mm	3000psi	9/16" UNO
TF3002020LEG-S	2"	3"	20"	346mm	3000psi	9/16" UNO
TF3002420LEG-S	2"	3"	24"	480mm	3000psi	9/16" UNO

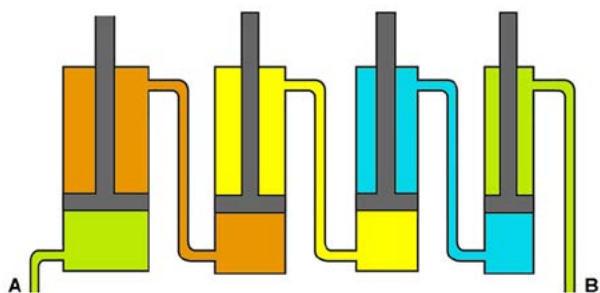


TECH DATA

Swivel Foot

Part #	Description
FOOTMTFEMALE50	Fits any of our hydraulic cylinders (1.1/4" UNF thread)





Phasing cylinders:

The total cylinder internal volume at the rod end is equal to the total internal volume of the following smaller cylinder at the piston end.



TECH DATA

Phasing Cylinders - 8" Stroke

Standard configuration is phasing on extension only - other configurations available on request

Dual Port | Dated Serial Number

Part #	Bore	Stroke	Rod	Closed		Open		Description
				Inch	mm	Inch	mm	
TVP300008125	3.00"	8"	1.25"	20.25	514.35	28.25	717.55	Maximum Pressure: 3000 psi Ports: 3/4" UNO Pins: 1" Clevis has provision for locking pin (CLPN1-77LCKKIT) see page 32
TVP325008125	3.25"	8"	1.25"					
TVP350008125	3.50"	8"	1.25"					
TVP3750081375	3.75"	8"	1.375"					
TVP4000081375	4.00"	8"	1.375"					
TVP4250081375	4.25"	8"	1.375"					
TVP450008150	4.50"	8"	1.50"					
TVP475008150	4.75"	8"	1.50"					
TVP500008150	5.00"	8"	1.50"					

TECH DATA

Phasing Cylinders - 12" Stroke

Standard configuration is phasing on extension only - other configurations available on request

Dual Port | Dated Serial Number

Part #	Bore	Stroke	Rod	Closed		Open		Description
				Inch	mm	Inch	mm	
TVP300012125	3.00"	12"	1.25"	24.25	615.95	36.25	920.75	Maximum Pressure: 3000 psi Ports: 3/4" UNO Pins: 1" Clevis has provision for locking pin (CLPN1-77LCKKIT) see page 32
TVP325012125	3.25"	12"	1.25"					
TVP350012125	3.50"	12"	1.25"					
TVP3750121375	3.75"	12"	1.375"					
TVP4000121375	4.00"	12"	1.375"					
TVP4250121375	4.25"	12"	1.375"					
TVP450012150	4.50"	12"	1.50"					
TVP475012150	4.75"	12"	1.50"					
TVP500012150	5.00"	12"	1.50"					

TECH DATA

Phasing Cylinders - 16" Stroke

Standard configuration is phasing on extension only - other configurations available on request

Dual Port | Dated Serial Number

Part #	Bore	Stroke	Rod	Closed		Open		Description
				Inch	mm	Inch	mm	
TVP300016125	3.00"	16"	1.25"	28.25	717.55	44.25	1123.95	Maximum Pressure: 3000 psi Ports: 3/4" UNO Pins: 1" Clevis has provision for locking pin (CLPN1-77LCKKIT) see page 32
TVP325016125	3.25"	16"	1.25"					
TVP350016125	3.50"	16"	1.25"					
TVP3750161375	3.75"	16"	1.375"					
TVP4000161375	4.00"	16"	1.375"					
TVP4250161375	4.25"	16"	1.375"					
TVP450016150	4.50"	16"	1.50"					
TVP475016150	4.75"	16"	1.50"					
TVP500016150	5.00"	16"	1.50"					

TECH DATA

Phasing Cylinders - 18" Stroke *Standard configuration is phasing on extension only - other configurations available on request*

Dual Port | Dated Serial Number

Part #	Bore	Stroke	Rod	Closed		Open		Description
				Inch	mm	Inch	mm	
TVP300018125	3.00"	18"	1.25"	30.25	768.35	48.25	1225.55	Maximum Pressure: 3000 psi Ports: 3/4" UNO Pins: 1" Clevis has provision for locking pin (CLPN1-77LCKKIT) see page 32
TVP325018125	3.25"	18"	1.25"					
TVP350018125	3.50"	18"	1.25"					
TVP3750181375	3.75"	18"	1.375"					
TVP4000181375	4.00"	18"	1.375"					
TVP4250181375	4.25"	18"	1.375"					
TVP450018150	4.50"	18"	1.50"					
TVP475018150	4.75"	18"	1.50"					
TVP500018150	5.00"	18"	1.50"					

TECH DATA

Phasing Cylinders - 24" Stroke *Standard configuration is phasing on extension only - other configurations available on request*

Dual Port | Dated Serial Number

Part #	Bore	Stroke	Rod	Closed		Open		Description
				Inch	mm	Inch	mm	
TVP300024125	3.00"	24"	1.25"	36.25	920.75	60.25	1530.35	Maximum Pressure: 3000 psi Ports: 3/4" UNO Pins: 1" Clevis has provision for locking pin (CLPN1-77LCKKIT) see page 32
TVP325024125	3.25"	24"	1.25"					
TVP350024125	3.50"	24"	1.25"					
TVP3750241375	3.75"	24"	1.375"					
TVP4000241375	4.00"	24"	1.375"					
TVP4250241375	4.25"	24"	1.375"					
TVP450024150	4.50"	24"	1.50"					
TVP475024150	4.75"	24"	1.50"					
TVP500024150	5.00"	24"	1.50"					

TECH DATA

Phasing Cylinders - 36" Stroke *Standard configuration is phasing on extension only - other configurations available on request*

Dual Port | Dated Serial Number

Part #	Bore	Stroke	Rod	Closed		Open		Description
				Inch	mm	Inch	mm	
TVP300036125	3.00"	36"	1.25"	48.25	1225.55	84.25	2139.95	Maximum Pressure: 3000 psi Ports: 3/4" UNO Pins: 1" Clevis has provision for locking pin (CLPN1-77LCKKIT) see page 32
TVP325036125	3.25"	36"	1.25"					
TVP350036125	3.50"	36"	1.25"					
TVP3750361375	3.75"	36"	1.375"					
TVP4000361375	4.00"	36"	1.375"					
TVP4250361375	4.25"	36"	1.375"					
TVP450036150	4.50"	36"	1.50"					
TVP475036150	4.75"	36"	1.50"					
TVP500036150	5.00"	36"	1.50"					



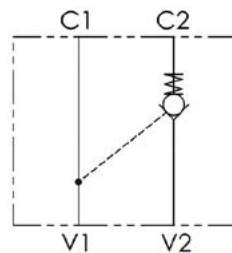
**TECH
DATA**

Pilot Check Valve Internal Pilot T11-A Cartridge Valve

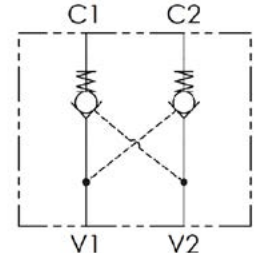
Part #	Type	Ports	Maximum Pressure	Cracking Pressure	Maximum Flow	Pilot Ratio	Material	
P011AS-023GPSASAS	Single pilot check	3/4" UNO	210 bar	2 bar	60 L/min	3:1	Aluminium	
P011AS-023GPSBSSS	Single pilot check	3/4" UNO	350 bar	2 bar	60 L/min	3:1	Steel	NEW
P011AS-023GPSADAS	Dual pilot check	3/4" UNO	210 bar	2 bar	60 L/min	3:1	Aluminium	
P011AS-023GPSADSS	Dual pilot check	3/4" UNO	350 bar	2 bar	60 L/min	3:1	Steel	NEW

✦ Valves and bodies can be purchased individually - see page 133

OLEOWEB
MADE IN EUROPE



Single Pilot Check



Dual Pilot Check

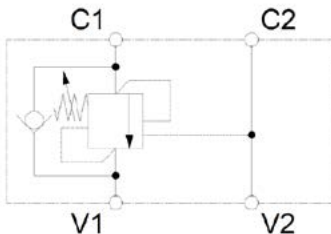
**TECH
DATA**

Counter Balance Valve Internal Vent T11-A Cartridge Valve

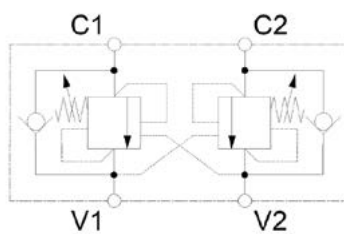
Part #	Type	Ports	Maximum Pressure	Pressure Range	Maximum Flow	Pilot Ratio	Piston Seal	Material	
OW11AS-013PSBSASTS	Single counter balance	3/4" UNO	210 bar	70-280 bar	60 L/min	3:1	Yes	Aluminium	
OW11AS-013PSBSSTSS	Single counter balance	3/4" UNO	350 bar	70-280 bar	60 L/min	3:1	Yes	Steel	NEW
OW11AS-013PSADASTS	Dual counter balance	3/4" UNO	210 bar	70-280 bar	60 L/min	3:1	Yes	Aluminium	
OW11AS-013PSADSSTSS	Dual counter balance	3/4" UNO	350 bar	70-280 bar	60 L/min	3:1	Yes	Steel	NEW

✦ Valves and bodies can be purchased individually - see page 133

OLEOWEB
MADE IN EUROPE



Single Counter Balance



Dual Counter Balance



TECH DATA

Pipe Kits

Valve preset at 210 bar | Fitting to TAG cylinder included in price | Valve must be purchased separately (see page 29)

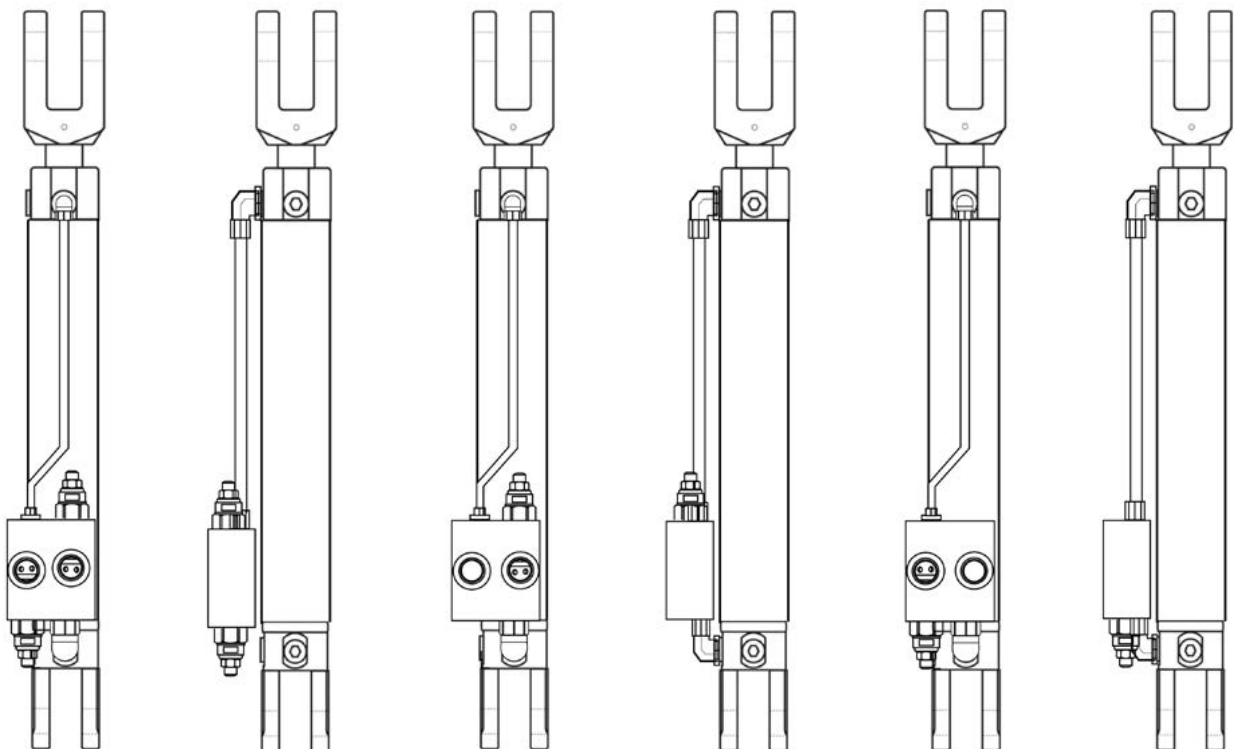
! Each valve must be individually set during the commissioning process by the hydraulic fitter

Pipe Kit		Load Holding On	Valve Mounting		Cylinder Stroke		Cylinder Port Size	
PK	-	1	B	-	10	-	34	
	1	Retract port	A	Port A	10	10"	916	Suits 1.5" to 2" bore
	2	Extend port	B	Port B	12	12"	34	Suits 2.5" to 5" bore
	3	Extend & retract ports			14	14"		
					16	16"		
					18	18"		
					20	20"		
					24	24"		
					26	26"		
					28	28"		
					30	30"		
					36	36"		
					40	40"		
					42	42"		
					48	48"		



Valve Mounting

Load holding on extend & retract ports		Load holding on extend port ONLY		Load holding on retract port ONLY	
3A	3B	2A	2B	1A	1B



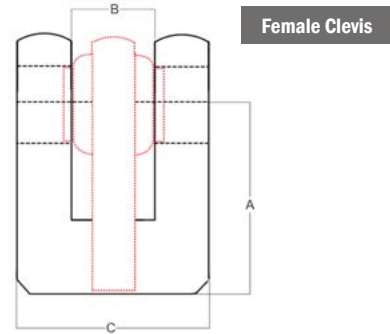
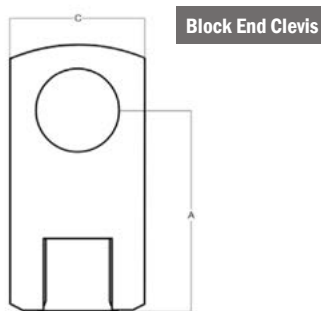
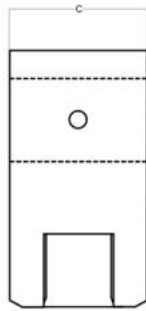
**TECH
DATA**

Cylinder Attachments

Part #	Type	Thread	Pin Size	Material	Dimensions (mm)			Pin To Suit
					A	B	C	
CL075	Female clevis	3/4" UNF	0.75"	Steel	51	21	40	CLPN075-48.3
CL100-1.125	Female clevis	1.1/8" UNF	1.0"	Cast Iron	87	28.5	62	CLPN1-77
CL100-82	Female clevis	1.1/4" UNF	1.0"	SG Iron	82	28.5	62	CLPN1-77
CL100	Female clevis	1.1/4" UNF	1.0"	SG Iron	87	28.5	62	CLPN1-77
CL100LCK *	F. Clevis w/ locking	1.1/4" UNF	1.0"	SG Iron	87	28.5	62	CLPN1-77LCKKIT
CL100STEEL	Female clevis	1.1/4" UNF	1.0"	Steel	87	28.6	62	CLPN1-77
CL125CAST	Female clevis	1.1/4" UNF	1.25"	SG Iron	87	30	70	CLPN125-80
CL150	Block end	1.1/4" UNF	1.5" **	Steel	87	-	63	-
CLM075	Block end	3/4" UNF	0.75"	Steel	51	-	40	-
CLM100	Block end	1.1/4" UNF	1.0"	Steel	87	-	50	-
B310	Ball end	Weld on	0.75"	Steel	-	-	-	-
B311	Ball end	Weld on	1.0"	Steel	-	-	-	-

* Includes grease port

** Reduction bushes to 1" are supplied with CL150 (can also be bushed to other sizes). Grease port included.



CL075



CL100



CL100 STEEL



CL100LCK



CL150



CLM075



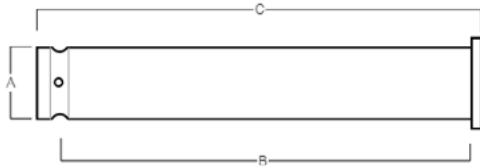
B310

🔧 Other cylinder components also stocked (including glands, pistons, endcaps) - contact us for more information

TECH DATA

Cylinder Pins

Part #	Dimensions (mm)		
	A	B	C
CLPN075-48.3	3/4"	48.3mm	57.5mm
CLPN1-69	1"	69mm	81mm
CLPN1-60	1"	60mm	72mm
CLPN1-77	1"	78mm	90mm
CLPN125-80	1.1/4"	80mm	95mm
CLPN1-77LCKKIT	This pin is used only in conjunction with clevis CL100LCK		



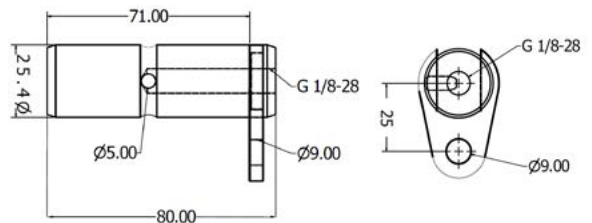
CLPN075



CLPN125/CLPN1

Pin Selection Guide

Cylinder Size	Size	Clevis Pin	Base End Pin
TAG 15	3/4"	CLPN075-48.3	CLPN075-48.3
TAG 20 SHORT CC	3/4"	CLPN075-48.3	CLPN075-48.3
TAG 20	1"	CLPN1-77	CLPN1-60
TAG 25	1"	CLPN1-77	CLPN1-69
TAG 30	1"	CLPN1-77	CLPN1-69
TAG 35	1"	CLPN1-77	CLPN1-77
TAG 40	1"	CLPN1-77	CLPN1-77
TAG 50	1"	CLPN1-77	CLPN1-77



CLPN1-77LCKKIT

TECH DATA

Cylinder Breathers

Part #	Description
A9431	Cylinder breather - brass cloth mesh filter - aluminium - 9/16-18 UNO thread
16329A	Cylinder breather - brass cloth mesh filter - aluminium - 3/4-16 UNO thread

TECH DATA

Cylinder Seal Kits

Part #	Cylinder Type	Bore Size	Shaft Size
SK15087CAT	TAG Cylinder	1.5"	0.875"
SK20125CAT	TAG Cylinder	2.0"	1.25"
SK2515CAT	TAG Cylinder	2.5"	1.5"
SK3015CAT	TAG Cylinder	3.0"	1.5"
SK35175CAT	TAG Cylinder	3.5"	1.75"
SK40175CAT	TAG Cylinder	4.0"	1.75"
SK5020CAT	TAG Cylinder	5.0"	2.0"





MELBOURNE

ADDRESS

23 Quinlan Rd, Epping, VIC 3076

EMAIL

sales@hydraulicsnetwork.com.au

PHONE

03 9399 8957

VERMONT

ADDRESS

5/137-145 Rooks Rd, Vermont, VIC 3133

EMAIL

salessev@hydraulicsint.com.au

PHONE

03 9874 1155

BRISBANE

ADDRESS

19 Silvio St, Richlands, QLD 4077

EMAIL

salesqld@hydraulicsnetwork.com.au

PHONE

07 3277 5969

PERTH

ADDRESS

2/44 Vinnicombe Dr, Canning Vale, WA 6155

EMAIL

saleswa@hydraulicsnetwork.com.au

PHONE

08 6385 3555

www.hydraulicsnetwork.com.au