

RE 29 798/10.02

Replaces: 03.95

**Control panel BB3 for controller
supported output devices****Type VT 12 321**

Series 2X

Overview of contents

Contents	Page
Features	1
Ordering details	2
Technical data	2
Block circuit diagram	2
Plug allocation	3
Unit dimensions	3
Additional information	4

H/A 3134/92



Control panel BB-3, type VT 12 321-2X/...

Features

Control panel BB-3 is used for communicating with a variety of digital output devices, such as valve amplifiers and open and closed loop axis controls. Communication encompasses setting, scanning and display of output device specific parameters, scanning and display of status and error messages. Diagnostics, as well as fault finding and storage of parameter sets in the control panel. Which of these functions is supported by the BB-3, depends on the output device (e.g. valve amplifier) used.

Features:

- Control panel for various applications
- Automatic recognition of output devices
- Communication via a serial interface (RS 485, RS 422 or RS 232)
- Automatic recognition of baud rate (4800, 9600 or 19200)
- Voltage supply to control panel is via the connection to output device

- Permanent storage of sets of data independent of the supply voltage
- Membrane keyboard, 24 keys with defined contact points
- 4 line liquid crystal display each with 16 characters
- Very robust housing



© 2003
by Bosch Rexroth AG, Industrial Hydraulics, D-97813 Lohr am Main

All rights reserved. No part of this document may be reproduced or stored, processed, duplicated or circulated using electronic systems, in any form or by means, without the prior written authorisation of Bosch Rexroth AG. In the event of contravention of the above provisions, the contravening party is obliged to pay compensation.

Ordering details

VT 12 321 – 2X/ *

Control panel BB-3

Series 20 to 29

(20 to 29: unchanged technical data and plug allocation)

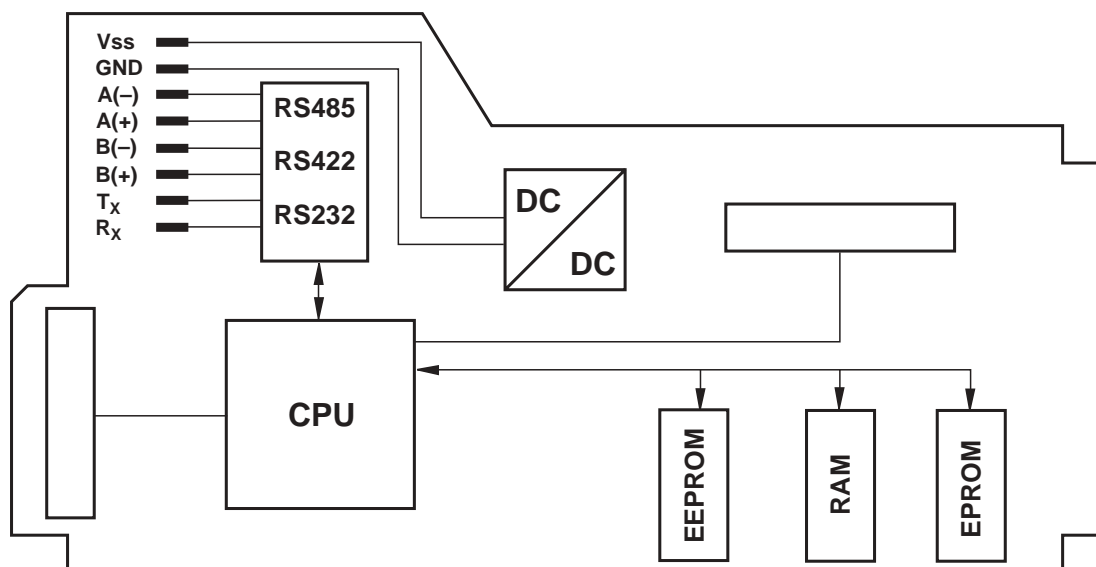
= 2X

Further details in clear text

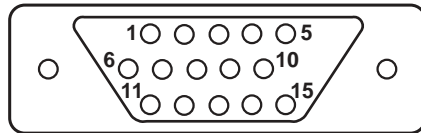
Technical data (for applications outside these parameters, please consult us!)

Supply voltage	U	10 to 36 V DC
Power consumption	P	Approx. 1 W
Memory		32 kB RAM 8 kB EEPROM 8 x 64 kB EPROM maximum
Interfaces		RS 485 RS 422 RS 232
Connection type		15-pin HD-D-sub-plug with UNC fitting
Housing	Insulation Material	IP 51 to DIN 40 050 Glass fibre reinforced plastic
Permissible ambient temperature range	t	- 10 to + 70 °C
Storage temperature	t	- 20 to + 80 °C
Weight	m	Approx. 0.4 kg

Block circuit diagram

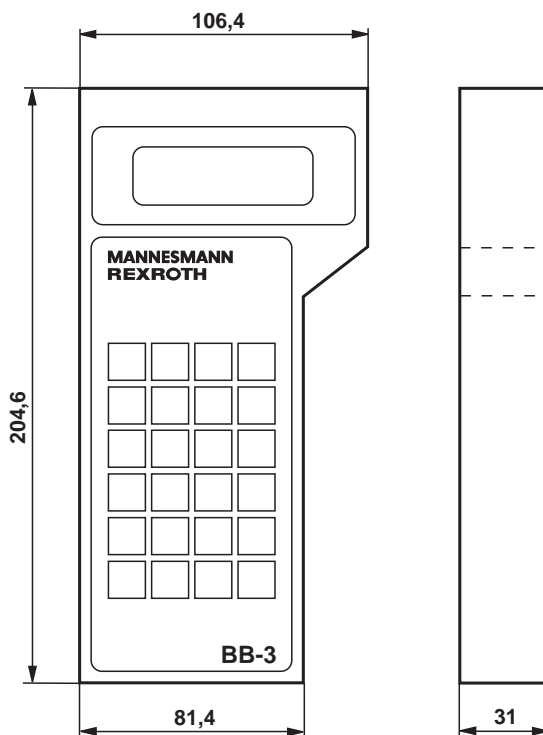


Plug allocation



PIN	ALLOCATION	FUNCTION
1	N.C.	
2	V_{SS}	Supply voltage
3	GND	Ground (mass)
4	A(-)	Transmit/receive data for RS 485 Receive data for RS 422
5	A(+)	Transmit/receive data for RS 485 Receive data for RS 422
6	T_x	Transmit data for RS 232
7	R_x	Receive data for RS 232
8	B(+)	Transmit data for RS 422
9	B(-)	Transmit data for RS 422
10 to 15	N.C.	

Unit dimensions (dimensions in mm)



Additional information

The control panel is connected to the device via an output device specific connection cable. This cable is **not** included within the scope of supply and must be selected to suit the relevant output device family and ordered separately.

The mating connector for the 15-pin plug, a 15-pin socket connector HD, can be ordered using the order designation 021 423

The control panel BB-3 is connected to the voltage supply via this cable, which also forms the interface connection. Having identified the output device, the control panel displays the output specific start message. Further operation is controlled by a set of menus.

See the relevant output device product description for operation and keyboard functions.

At the time of publication of this catalogue sheet, the control panel BB-3 can support the following units:

- VT 12 340
- VT 12 350 and VT 12 352
- VT 5051
- VT 15 000
- VT 13 454
- MHVT 20 006 and MHVT 20 026
- VTS 1215 and VTS 0235
- MC 6 and MC 7

Bosch Rexroth AG **Industrial Hydraulics**

D-97813 Lohr am Main
Zum Eisengießer 1 • D-97816 Lohr am Main
Telefon 0 93 52 / 18-0
Telefax 0 93 52 / 18-23 58 • Telex 6 89 418-0
eMail documentation@boschrexroth.de
Internet www.boschrexroth.de

Bosch Rexroth Limited

Cromwell Road, St Neots,
Cambs, PE19 2ES
Tel: 0 14 80/22 32 56
Fax: 0 14 80/21 90 52
E-mail: info@boschrexroth.co.uk

The data specified above only serves to describe the product. No statements concerning a certain condition or suitability for a certain application can be derived from our information. The details stated do not release you from the responsibility for carrying out your own assessment and verification. It must be remembered that our products are subject to a natural process of wear and ageing.