

100% digital electrohydraulics

Atos digital proportionals offer a powerful mix of innovative features

Complete range of valves and controls with rugged design and outstanding performance



OIL SOLUTIONS

PO Box 38

Strathfieldsaye, VIC, 3551

1800 OIL SOL

1800 645 765

sales@oilsolutions.com.au

www.oilsolutions.com.au

"For All Your Hydraulic Needs"

atos[®] 
the Italian electrohydraulics



Digital range

The outstanding performances of Atos digital proportionals are the result of long lasting R&D activities

Basic B silver execution:

- digital performances at analog price
- analog commands signal
- rugged design - up to 50G
- temperature range $-40^{\circ}\text{C} \div +60^{\circ}\text{C}$
- water & dust proof - IP66/67
- 200 h in salt spray

Full S black execution:

- wide range of fieldbus interfaces
- P/Q control function
- TÜV certified safety functions

- 1 high performance proportional
- 2 direct & pilot operated servoproportionals
- 3 pilot operated servoproportional, size 35



power supply & analog commands

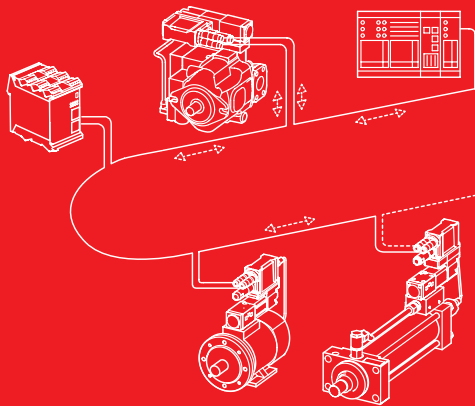
USB port

**LOOKS ANALOG
WORKS DIGITAL**



Fieldbus

- BC CANopen
- BP PROFIBUS DP
- EH EtherCAT
- EW POWERLINK
- EI EtherNet/IP
- EP PROFINET

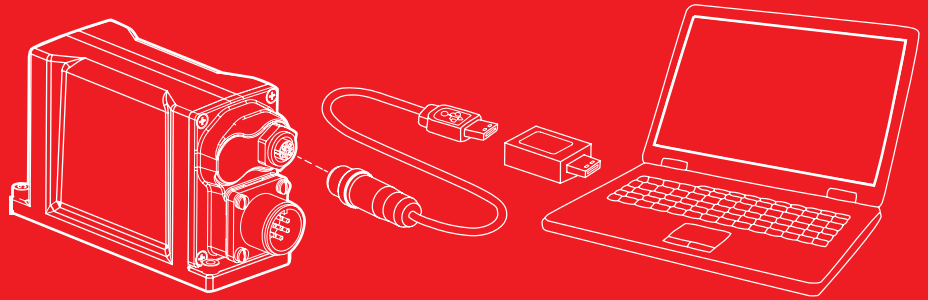


Real time access to valves' parameters and diagnostics

Software

E-SW programming software allows to set the electronic driver's functional parameters

Basic version is available by free web download



- graphics organized in pages and levels
- numerical optimization of factory preset parameters
- real time monitoring
- advanced diagnostics
- internal oscilloscope



TEZ servoproportionals with axis control

Servoproportional valves with LVDT transducer, on-board digital driver & axis card perform position, speed and force controls of any electrohydraulic axis

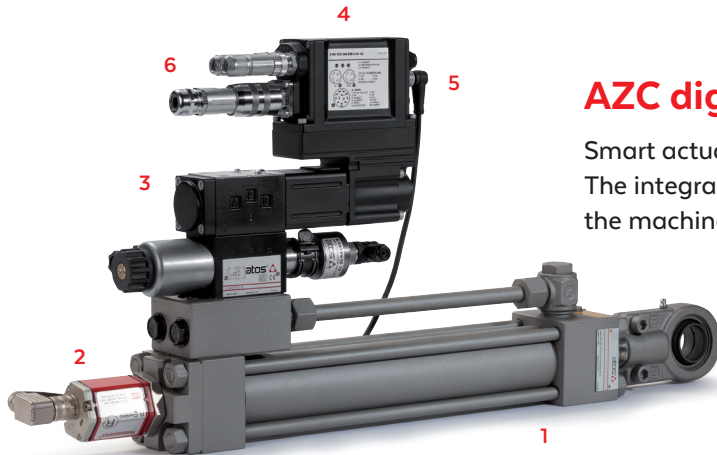
Axis cards are also available for cabinet installations in off-board execution, with or without driver function



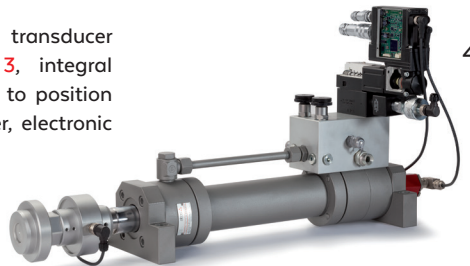
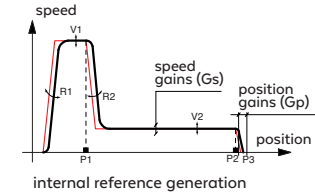
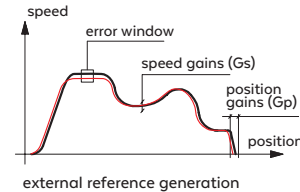
AZC digital servoactuators

Smart actuators performing the complete axis motion cycle

The integral construction improves the performance and simplifies the machine's wiring



servocylinder 1 with position transducer 2, servoproportional valve 3, integral TEZ controller 4, connections to position transducer 5, to electric power, electronic signals and fieldbus 6



4 AZC servoactuator with flow/force control by load cell
5 Z-BM-TEZ off-board digital axis card with driver function

TEB & TES proportionals with LVDT transducer

Directional and flow control valves with on-board digital driver
Off-board digital drivers are available for cabinet installation



6

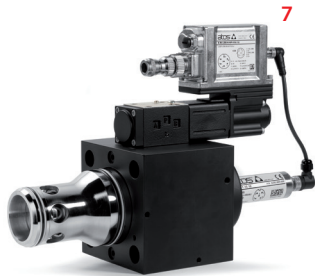
High Performance proportionals

With positive overlap spool and central rest position

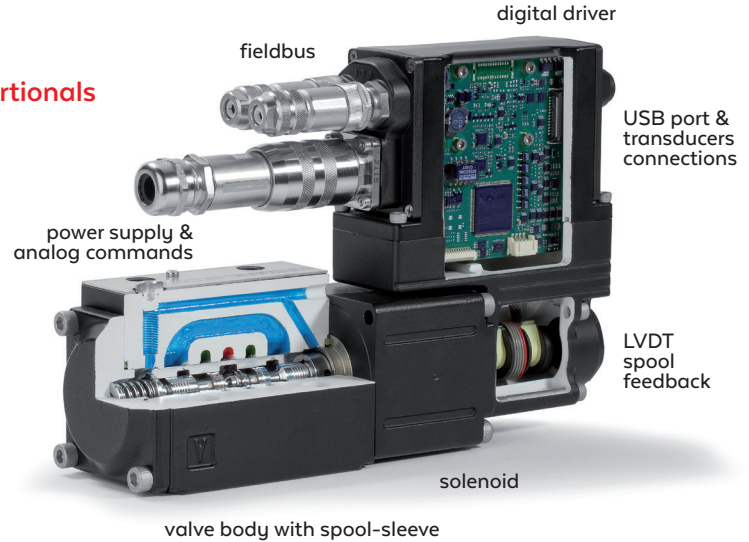
Servoproportionals

Sleeve execution with zero overlap spool for accurate closed loop position controls & fail safe function

Pilot operated directional control valves 6 & high dynamic servocartridges 7 are equipped with 2 position transducers



7

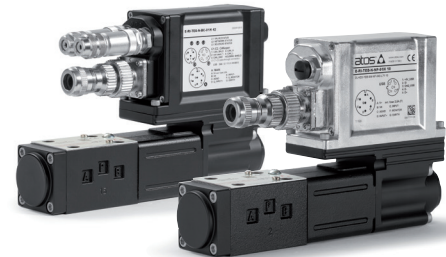


8



8 E-BM-TES off-board digital driver, DIN rail mounting

9 TEB & TES servoproportionals



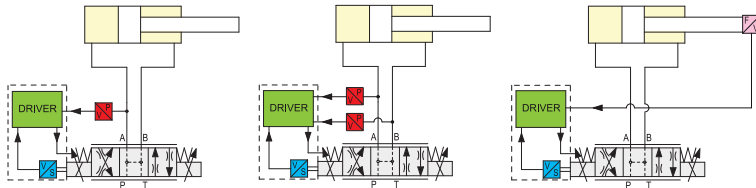
9

P/Q options for TES & TEZ proportionals

SP, SF, SL options add pressure (force) closed loop control combined to the flow (speed) regulation of proportional directional control valves

Functional schemes

SP - 1 pressure transducer SF - 2 pressure transducers SL - load cell



■ electronic driver

■ valve position transducer

■ pressure transducer

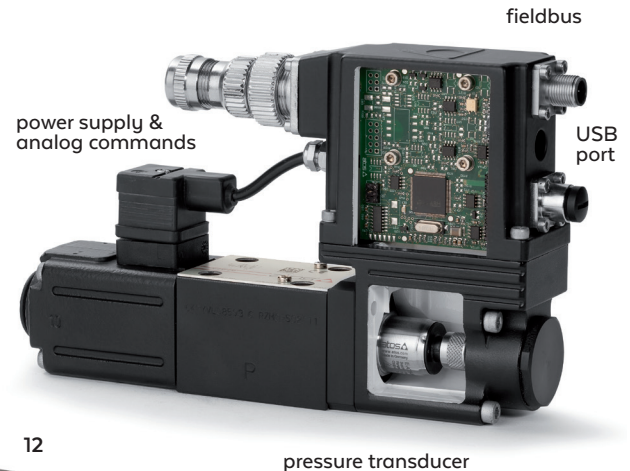
■ load cell

REB & RES pressure controls

Relief or reducing proportionals with pressure closed loop to ensure best accuracy and repeatability

These on board digital drivers offer four preset dynamic configurations:

1 fast - 2 standard - 3 smooth - 4 open loop



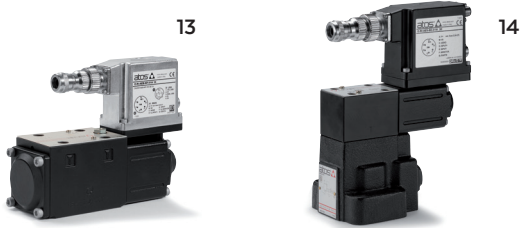
10 PES axial piston pump with P/Q control

11 TES servoproportional with SF option

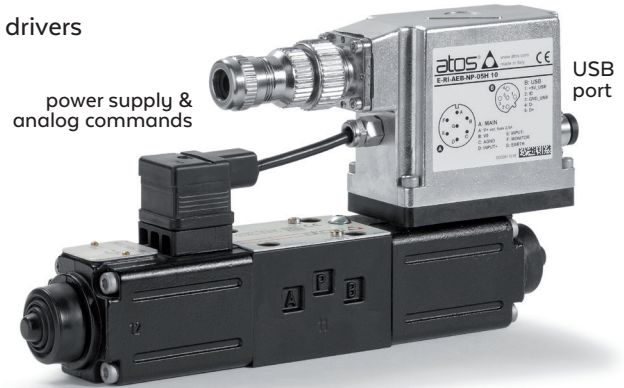
12 E-BM-RES digital driver, DIN rail mounting

AEB & AES proportionals without LVDT transducer

Directional, flow and pressure control valves with on-board digital drivers



- 13 AEB directional proportional
- 14 AES pilot operated pressure control
- 18 DHZO-A directional proportional
- 19 AGMZE-A pilot operated pressure control



Digital off-board drivers

DIN rail mounting for cabinet installation

E-BM-AS cost-effective solution 15

E-BM-AES high performance with fieldbus 16

W option adds max power limitation PxQ

ZO-A & ZE-A proportionals

Directional, flow and pressure control valves without LVDT transducer & electronic driver:

ZO-A high performance

ZE-A cost-effective solution

E-MI-AS digital driver, coil mounting 17





1800-OILSOL
1800-645765

<https://oilsolutions.com.au/>

sales@oilsolutions.com.au

atos[®] 
the Italian electrohydraulics

Atos regularly hold technical training courses on digital electrohydraulics
Our specialists are available for on-site technical support at customer locations



Atos spa

Italy - 21018 Sesto Calende

phone +39 0331 918370

info@atos.com

www.atos.com