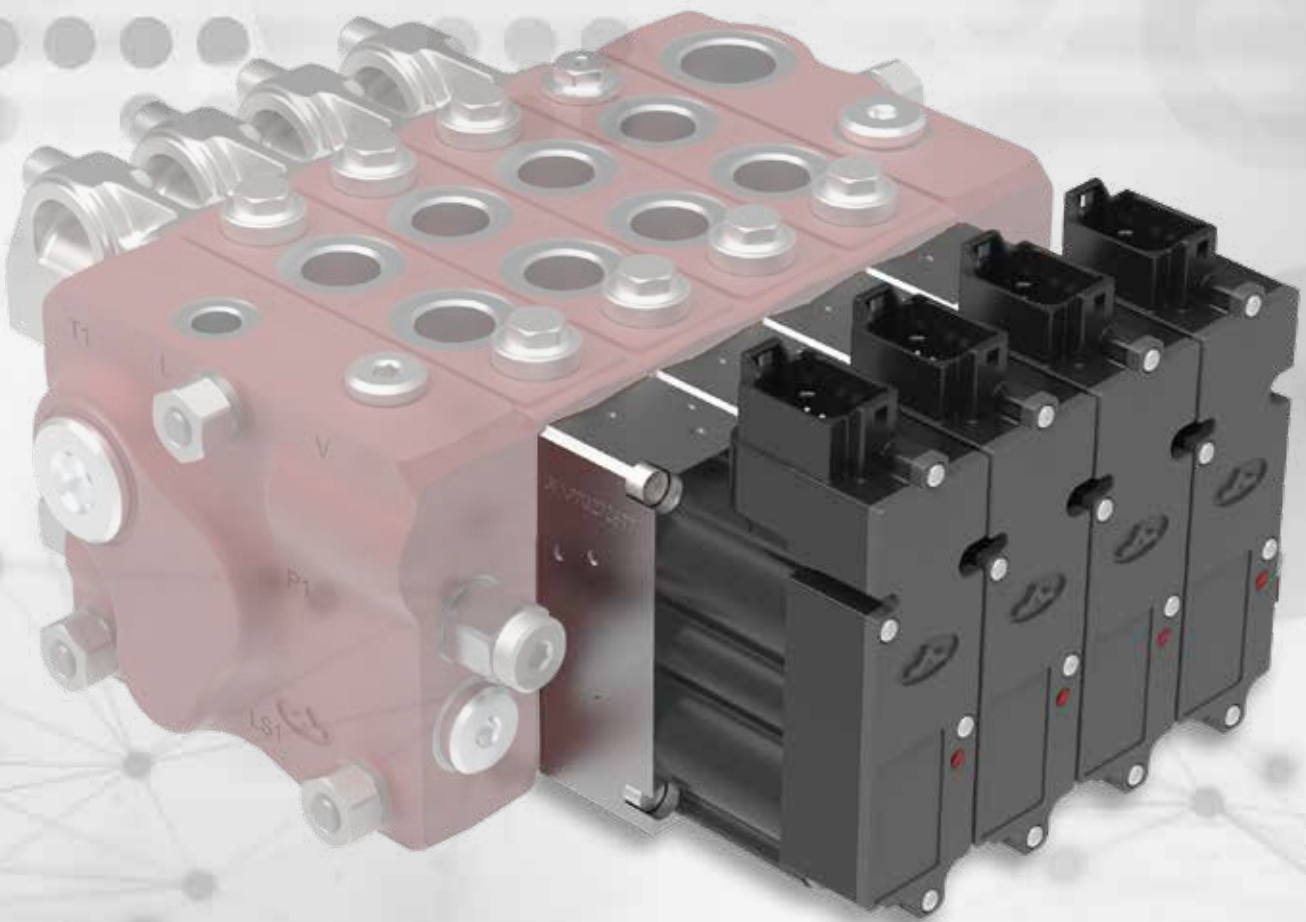


# NEW

## NG5

Electro-hydraulic CAN bus  
Control Module



A member of



1800-OILSOL  
1800-645765

<https://oilsolutions.com.au/>

[sales@oilsolutions.com.au](mailto:sales@oilsolutions.com.au)

# NG5

## Electro-hydraulic CAN bus Control Module



- Accurate spool motion
- Analog or CAN bus signal
- IP67/IPx9K protection grade

### Low Hysteresis

Thanks to integrated electronics and contactless position sensor the NG5 module can guarantee the accurate motion of the valve spool, with low hysteresis and fast response.

### Functional Safety

Functional Safety has been integrated since the beginning in the design and validation process. The electronic board is designed with Hardware Category 2 and is capable to reach of PLD / SIL 2.

### CAN bus or Analog

Supported CAN bus protocols are SAE J1939 and CANopen. An analog input command option is available.

### Reliability

The electrohydraulic module has been qualified according to OEMs' most rigorous reliability standards. The Deutsch connector allows the IP67/IPx9K protection grade and a strong resistance to all adverse conditions (vibrations, shocks, EMC).

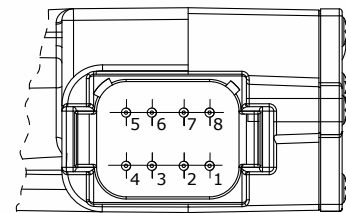
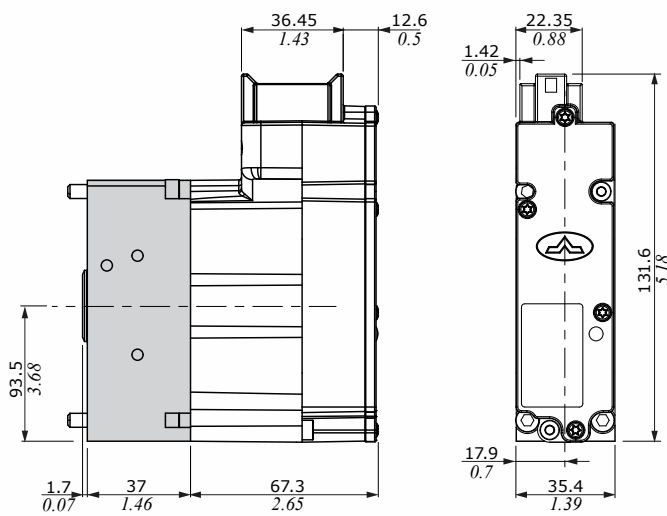
### WORKING CONDITIONS

Electrical data		Hydraulic data	
Voltage supply	From 8 to 32 V	Max inlet pressure	50 bar 725 psi
Max. current absorption (logic)	1500 mA	Max back pressure	5 bar 72.5 psi
no load current absorption	200 mA	Contamination level	-/18/15-ISO 4406
CAN bus Output	SAE J1939, CANopen	Fluid	Mineral oil based
CAN bus Input	SAE J1939, CANopen	Max mechanical stroke	+/- 10 mm +/- 0.39 in
Analog Input	0.5 V - 4.5 V	Sensor type	Hall effect
Working temperature	from -40°C to 85°C from -40°F to 185°F	Redundant	•
Storage temperature	from -40°C to 105°C from -40°F to 221°F	Absolut accuracy	< 3.5% (+/- 10 mm) < 3.5% (+/- 0.39 in)
Weather protection	IP 67/IPx9K		
EMC compatibility	according to ISO 14982 / 13766		
Connector	DT04-08P A		
Optional power Output	6A max		

Note: technical specifications measured with mineral oil of 46 mm<sup>2</sup>/s (46 cSt) viscosity at 40°C - (104°F) temperature.

# NEW

## Dimensions



### Pinout function

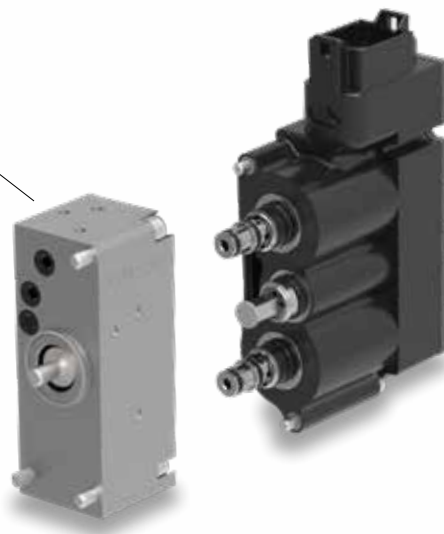
1	Vbb
2	GND
3	CAN_L
4	CAN_H
5	Auxiliary Output
6	Input Control 2
7	Input Control 1
8	External Enable

### Valve Interface Block

The dimensions of the part are referred only to DPX100. For other sectional directional control valves dimensions are different. Please, contact our Sales Dpt.

### Directional valves compatibility

DPK	DPK120
DPX series	DPX100
	DPX100HF
	DPX160
EX series	EX38
	EX54
	EX72
DPC series	DPC130
	DPC200

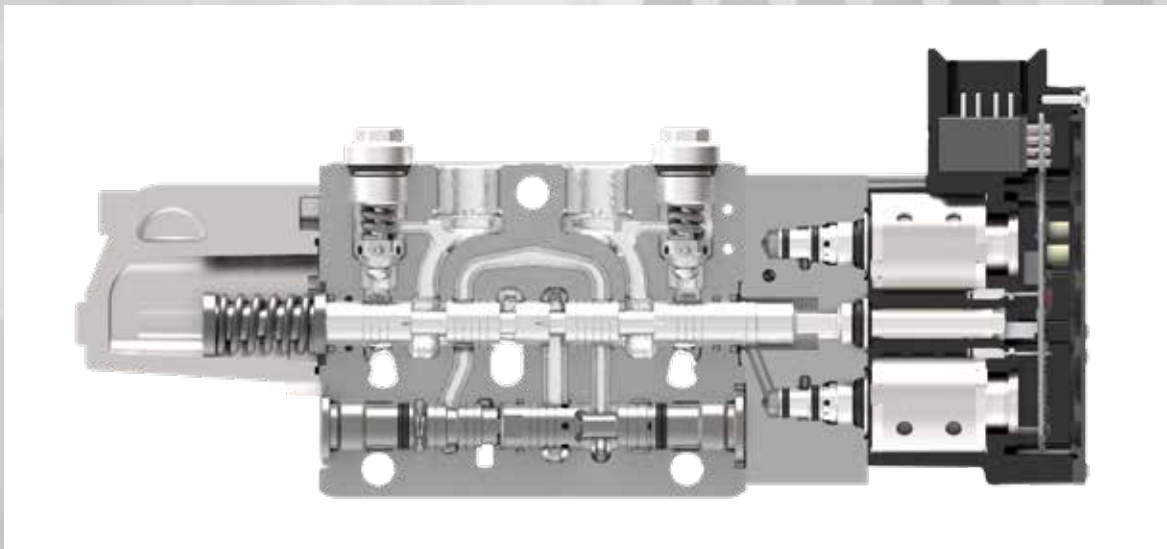


# NG5

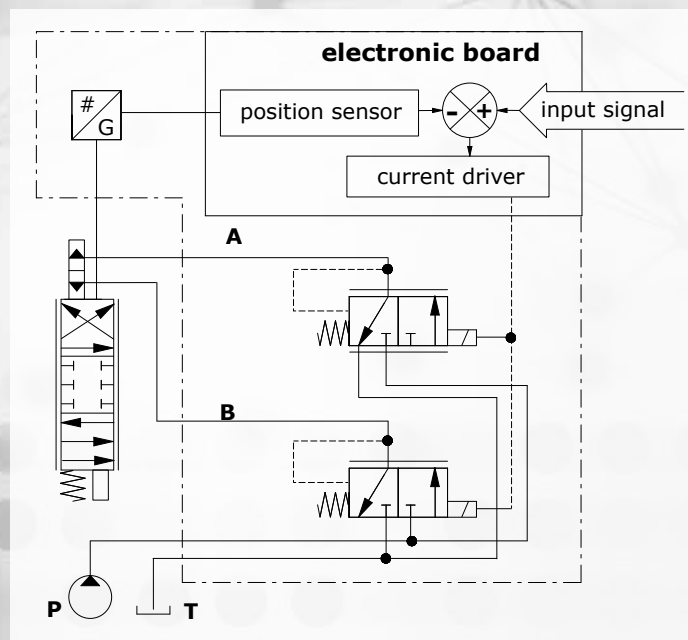
Electro-hydraulic CAN bus  
Control Module

## Section

DPX100 with NG5 module



## Functionality principle



**walvoil**  
FLUID POWER EMOTION



D1WWCE17E  
1<sup>st</sup> edition October 2022

