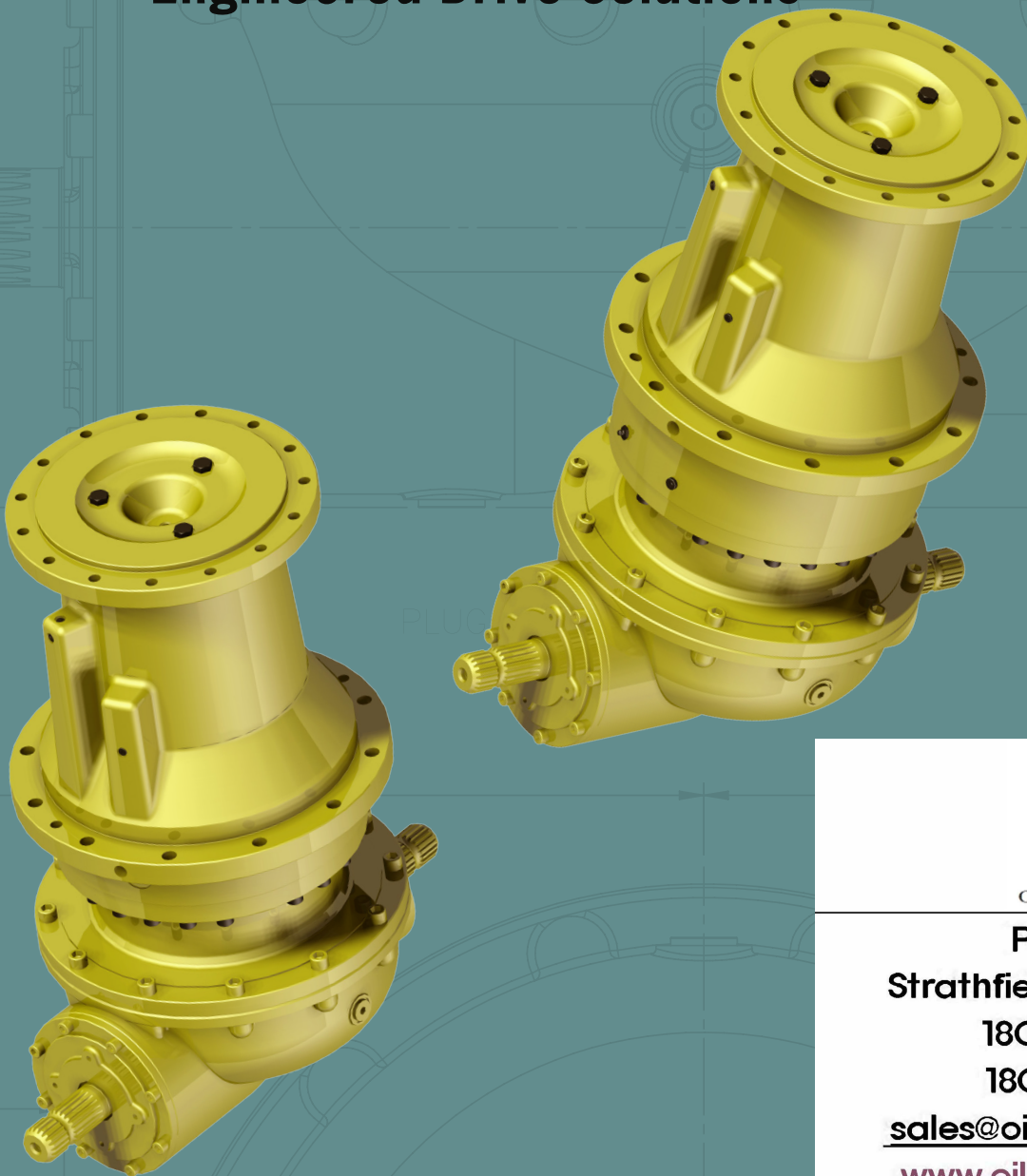


Auburn Gear

Engineered Drive Solutions



OIL SOLUTIONS

PO Box 38
Strathfieldsaye, VIC, 3551
1800 OIL SOL
1800 645 765

sales@oilsolutions.com.au

www.oilsolutions.com.au

"For All Your Hydraulic Needs"

Power Wheel[®]
Model VM10, VM20, VM30
Vertical Feed Mixer Drives



Power Wheel® Vertical Feed Mixer Drives

Our vertical feed mixer gearboxes are designed, sourced, manufactured, and assembled in our facility in North America, allowing us to ensure the use of the highest quality components and materials while providing an industry leading lead time.

Designed to Perform

Models VM10, VM20, and VM30 utilize a ductile iron housing and planetary gearing, a one-piece alloy steel forged output drive shaft, coupled with a modular right angle gearbox. To eliminate external plumbing, a feature that is prone to leakage and damage, our housing is designed with integral oil channels. Planetary gearing provides for quiet, smooth, and efficient operation along with the ability to transfer more power in a given space.



Auburn Gear Testing

- Product validation using both in-house DVP&R and actual field acquired data
 - Critical information for customer approvals
 - Validation using high capacity on-site, in-house vertical dyne capability
- Calculated Gear Life based on duty cycle using current gearing/material options
- Physical confirmation testing using vertical dynamometer
- In-house failure analysis & material expertise



Available to the Aftermarket

Contact Auburn Gear for more information.



1800-OILSOL
1800-645765

<https://oilsolutions.com.au/>

sales@oilsolutions.com.au

Model VM10

GENERAL SPECIFICATIONS

Intermittent Torque Rating.....200,000 lb-in (22,500 Nm)

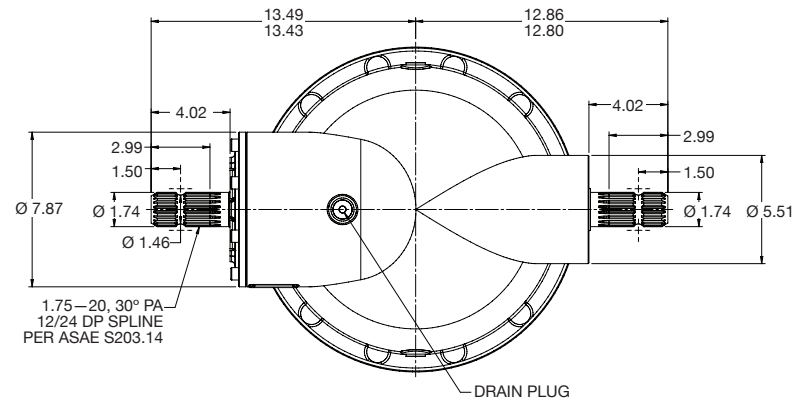
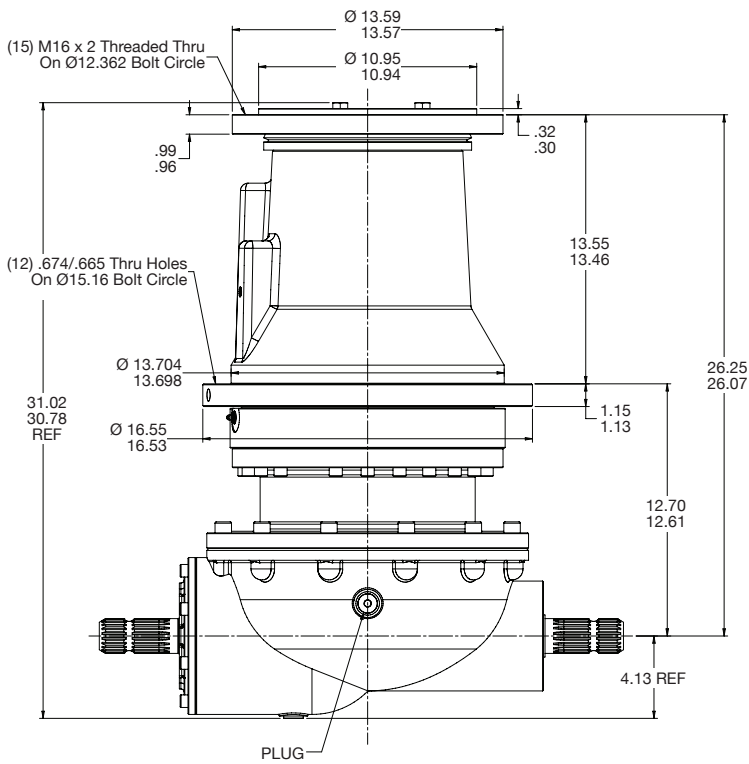
Ratios (540 RPM Input).....13.43:1

(1,000 RPM Input).....24.26:1

Oil Capacity

With greased upper bearing.....675 oz. (5.25 gallons, 20 liters)

With oiled upper bearing.....Contact Auburn Gear



1800-OILSOL
1800-645765

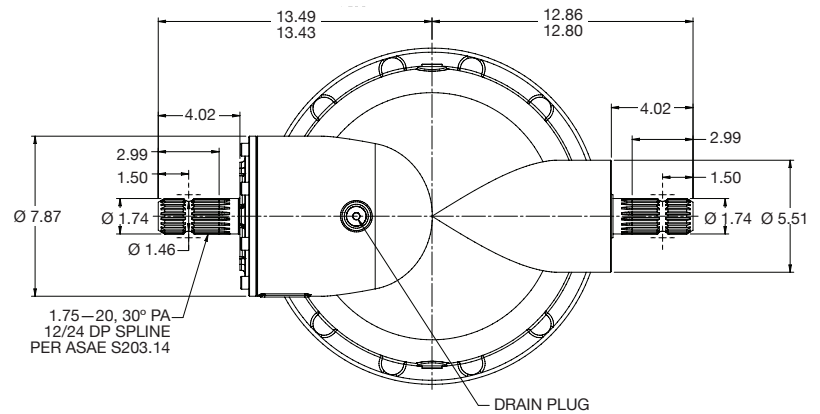
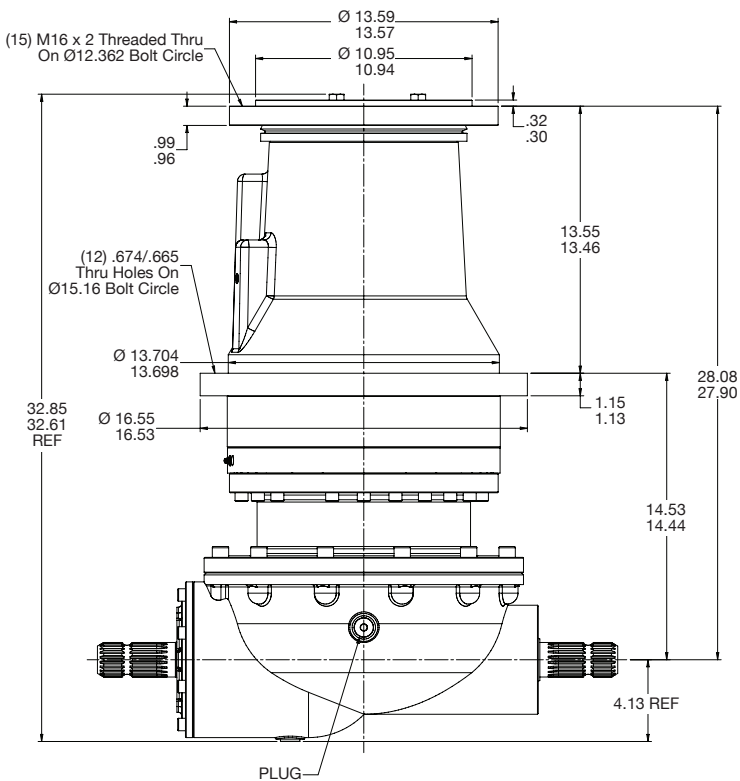
<https://oilsolutions.com.au/>

sales@oilsolutions.com.au

Model VM20

GENERAL SPECIFICATIONS

Intermittent Torque Rating.....	250,000 lb-in (28,500 Nm)
Ratios (540 RPM Input).....	13.17:1
(1,000 RPM Input).....	24.46:1
Oil Capacity	
With greased upper bearing.....	725 oz. (5.75 gallons, 21.5 liters)
With oiled upper bearing.....	Contact Auburn Gear



1800-OILSOL
1800-645765

<https://oilsolutions.com.au/>

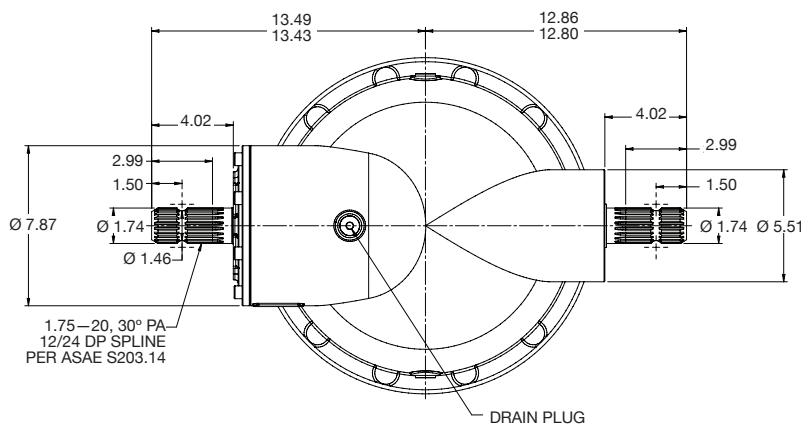
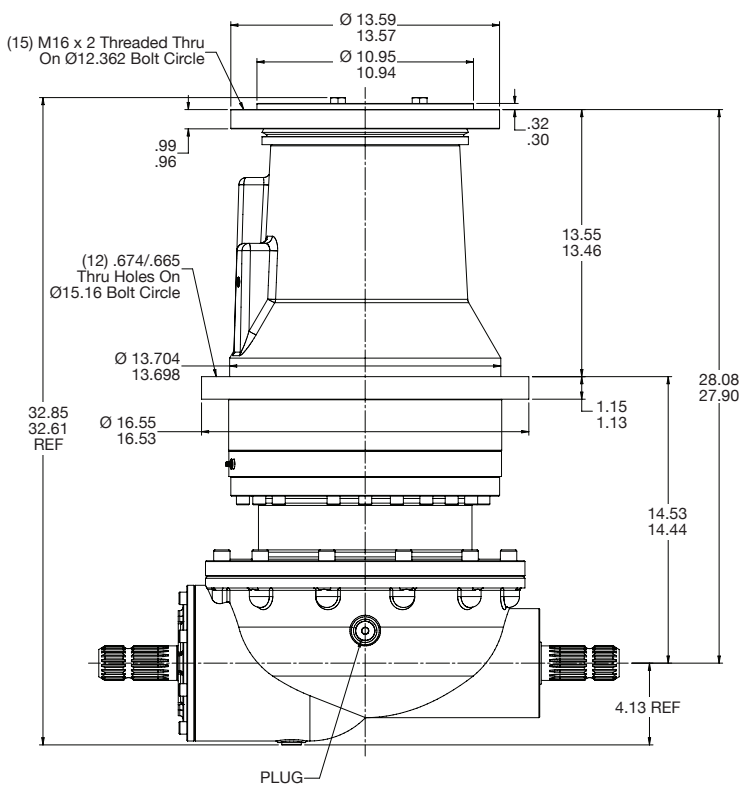
sales@oilsolutions.com.au

Model VM30

GENERAL SPECIFICATIONS

Intermittent Torque Rating.....350,000 lb-in (40,000 Nm)
 Ratios (540 RPM Input).....13.17:1
 (1,000 RPM Input).....24.46:1

Oil Capacity
 With greased upper bearing.....725 oz. (5.75 gallons, 21.5 liters)
 With oiled upper bearing.....Contact Auburn Gear



1800-OILSOL
1800-645765

<https://oilsolutions.com.au/>

sales@oilsolutions.com.au



Providing Technology, Quality, & Customer Support Around the Globe



**1800-OILSOL
1800-645765**

<https://oilsolutions.com.au/>

sales@oilsolutions.com.au

**400 E. Auburn Drive • Auburn, IN 46706 USA
260.925.3200
www.AuburnGear.com**

*All specifications and data contained herein are nominal and subject to change without notice.
Specific applications should be referred to Auburn Gear for Current information.*