

AC 电机泵站

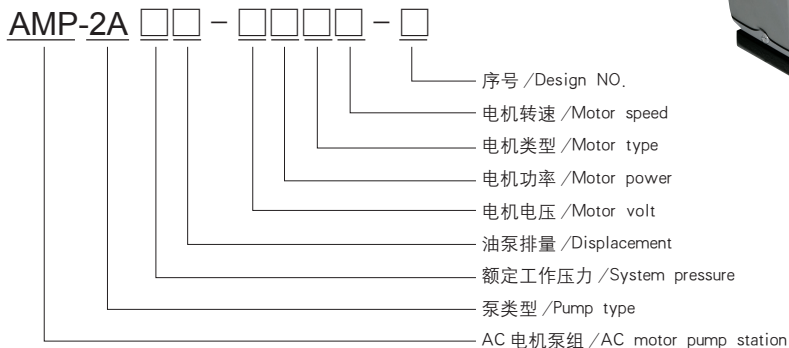
AC MOTOR PUMP STATION

简介 General Description

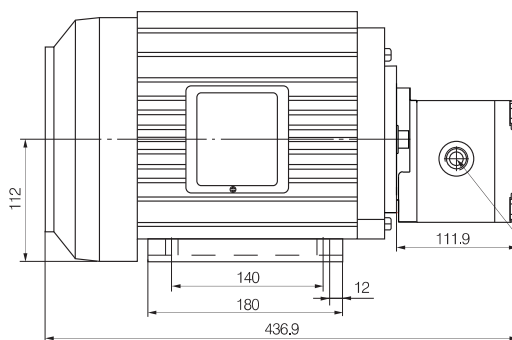
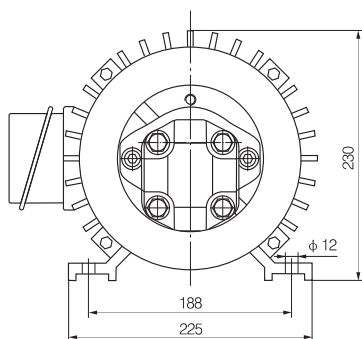
此液压泵站由CB2A 高压齿轮油泵与交流电机组成，性能稳定，是大型机械设备的理想动力源。

Equipped with a high pressure gear pump, a heavy duty AC motor this hydraulic pump station features stable performance, and can be widely used in large equipments.

型号说明 Ordering Code

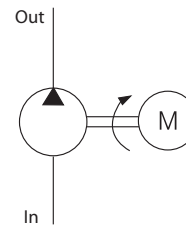


外形尺寸图 Outline Dimension



系统工作原理

Hydraulic Circuit Diagram



根据排量不同，油口尺寸见P19
Port size see page 19 for different displacement

型号规格说明 Model Specifications

Model 型号	Motor Volt 电机电压	Motor power 电机功率	Displacement 油泵排量	System pressure 额定工作压力	Rated Speed 名义转速
AMP-2AE4-4GNB-B	380VAC	1.5KW	4mL/r	14MPa	1400rpm
AMP-2AF7-4JNB-B		3.7KW	7mL/r	20MPa	
AMP-2AD11-4INB-B		3KW	11mL/r	10MPa	
AMP-2AD14-4HNB-B		3KW	14mL/r	8MPa	
AMP-2AD15-4JNB-B		3.7KW	15mL/r	9MPa	

注意事项 Special Notes

1. 此动力单元不可连续运转（1分钟ON，9分钟OFF），可重复工作。
2. 安装前必须保证油缸、油管、接头等液压元件清洁无任何杂质粘附。
3. 液压油粘度应为15~68CST，应清洁无杂质，推荐使用N46号液压油。
4. 本电机泵站适用于卧式安装。

1. The power unit is of S3 duty, which can only be worked intermittently, i.e., 1minute on and 9 minutes off.
2. Clean all the hydraulic parts concerned before mounting the power unit.
3. Viscosity of the oil should be 15-68 cst, and the oil should be clean and free of impurities, N46 hydraulic oil is recommended.
4. The pump station should be mounted horizontally.