

# Rexroth Fan Unit

## LEM-AB192T-x1-NPNN

Mounting Instructions

**R911340921**  
**Edition 01**

### Mounting Instructions LEM-AB-192T-x1-NPNN

#### About this Documentation

This documentation is for fitters and service engineers. This documentation contains important information to safely and properly assemble the product.

#### Validity of this Documentation

This documentation is valid for the following fan units:

#### LEM-AB192T-21-NPNN

Connection voltage		
AC 115V, 60 Hz	= 1	
AC 230V, 50/60 Hz	= 2	lem01-0003TS

#### Safety

Observe the safety notes in this instruction. This will prevent personal hazards, material damage and errors.

- ▶ This manual must be stored by the user during the whole product lifetime and passed on when selling.

Do not install or operate fan units or components of the electric drive and control system before you have not carefully read all delivered documents. Please observe the particular applicable national, local and system-specific regulations, the safety instructions in the documentation and the warning and informative labels on the components. Improper use of the components and failure to follow the safety instructions in this document may result in material damage, personal injury, electric shock or, in extreme cases, to death! For damage due to non-compliance with the safety instructions, Bosch Rexroth does not assume any liability. Before switching on, establish the fixed connection of the protective conductor to all electric components according

to the interconnection diagram. Operation, even for short-term measuring and testing purposes, is only permitted with the protective conductor securely connected to the component points provided.

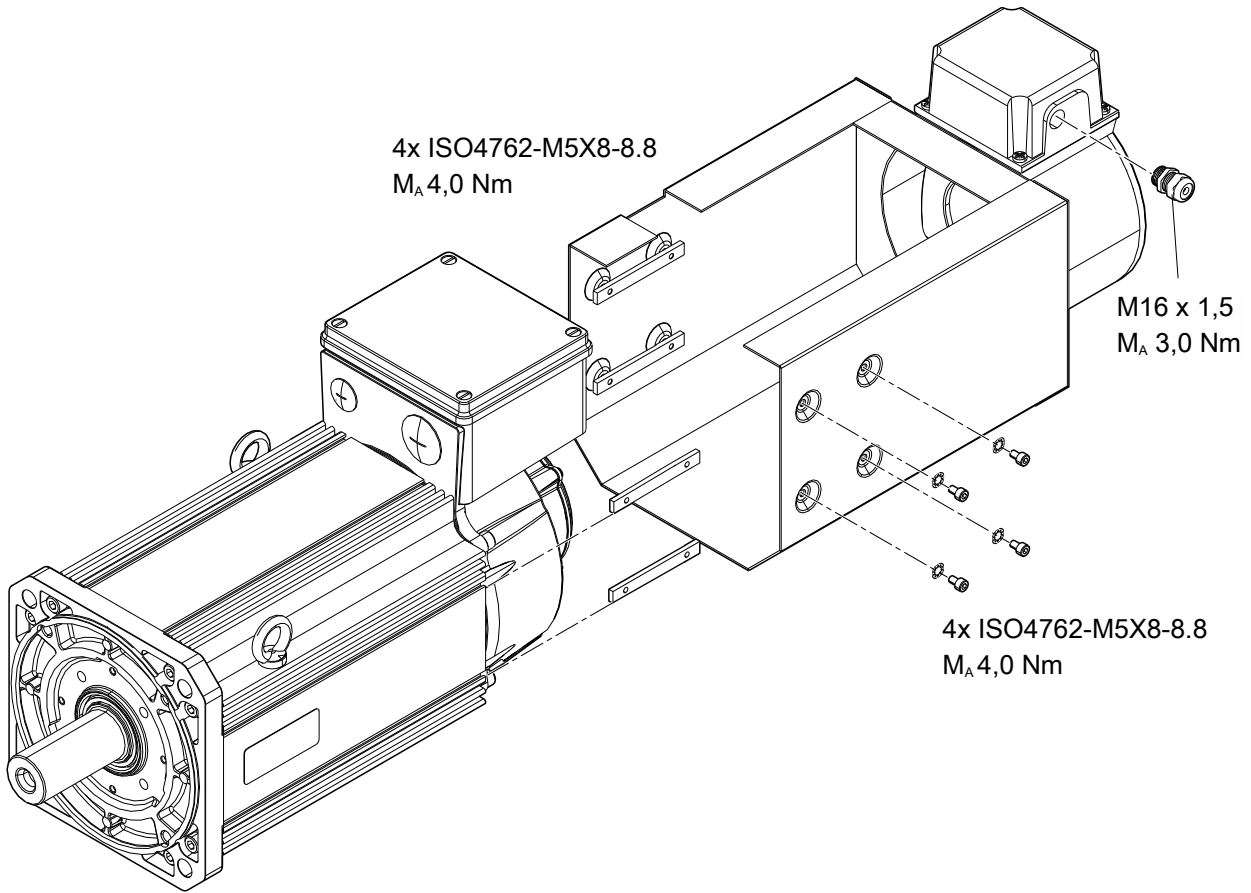
#### Appropriate Use

Prerequisites for appropriate and safe use of the motors are proper transport and storage, correct assembly and connection and careful maintenance and operation. The fan units have been designed for installation in industrial machinery. The fan units are according to the following standards and directives (EN 60034-1; 60204-1; EN 60529; EN 61000-6-3; EN 61000-6; EU Directive Low Voltage Directive 2006/95/EC and EMC 2004/108/EG). The machine manufacturer must evaluate the electric and mechanic safety as well as environmental influences in the assembled state of the machine according to the Machine Directive 2006/42/EC and EN 60204-1 (safety of machines). The electric installation must comply with the protection requirements of the EMC Directive 2004/108/EC. The proper installation of the system (for instance physical separation of signal and power cables, use of shielded cables ...) is in the sole responsibility of the plant manufacturer. The converter manufacturer's EMC instructions must be observed. The machine may not be commissioned before conformity with these directives has been determined.

#### Scope of Delivery

- ▶ 1 x Fan unit LEM-AB192T-x1-NPNN
- ▶ 1 x Mounting instruction

Assembly



lem01-0002ma

Assembly LEM-AB-192T-x1-NPNN

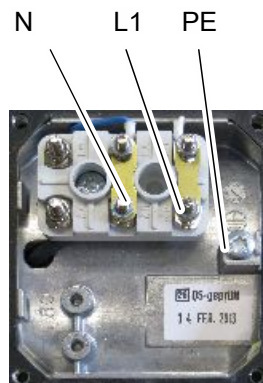
Electrical Connection

**⚠ DANGER**

**Danger of life due to electrical power! Handling within the area of live parts is extremely dangerous.**

- ▶ Any work required on the electric system must only be carried out by skilled electricians. It is absolutely necessary to use power tools.
- ▶ Before working
  1. Disconnect.
  2. Protect the system or plant against restart.
  3. Determine de-energization.
  4. Ground and short-out.
  5. Cover or shield any adjacent live parts.
- ▶ Before starting to work, check with an appropriate measuring device whether parts of the system are still

under residual voltage (e.g. caused by capacitors, etc.).  
If so, wait until these parts have discharged.



lem01-0001ma

Connection LEM-AB192T-x1-NPNN

**Connection terminals for fan units**

Wire	Clamping range [mm <sup>2</sup> ]	Tightening torque [Nm]	Designation
L1, N	0.5 ... 1.5	1.8 ± 10%	Wire end ferrule or ring cable lug M4
PE	0.5 ... 1.5	3.0 ± 10%	Wire end ferrule

Clamping range fan connection

- ▶ Establish a safe protective conductor connection.
- ▶ Only use suitable installation material.
- ▶ Assemble the wire ends (unassembled wire ends are not allowed).

**Technical Data**

Type	U <sub>N</sub> [V]	I <sub>N</sub> [Hz]	f <sub>N</sub> [Hz]	m <sub>L</sub> [kg]	Degree of protection	LP [dB(A)]	UL
LEM-AB-192T-11-NPNN	115 ± 10%	0.48	60	4.3	IP65	<75	self-protected
LEM-AB-192T-21-NPNN	230 ± 10%	0.21/0.20	50/60	4.3	IP65	<75	self-protected

Mounting Instructions LEM-AB-192T-x1-NPNN

- ▶ Use a cable gland (M16x1.5), with a clamping area adjusted to the used connection cable.
  - ▶ Only use terminal boxes which are free from dirt, foreign bodies and humidity.
  - ▶ Seal the terminal box dust-proof and water-proof.
- Fan units LEM-AB-192T with integrated thermal protection do not need any circuit with external motor protection. The cable inlet (M16) is sealed with a filler plug, at delivery. When connecting, use a customary screwed connection (M16 x 1.5), adjusted with the used connection cable. Observe the facility regulations. Installation material is not in the scope of delivery.

**Copyright**

© Bosch Rexroth AG 2013

Copying this document, giving it to others and the use or communication of the contents thereof without express authority, are forbidden. Offenders are liable for the payment of damages. All rights are reserved in the event of the grant of a patent or the registration of a utility model or design (DIN 34-1).