

# Rexroth Fan unit

## LEM-AB192T-x1-NNNN

Mounting instructions

**R911378286**  
**Edition 01**

### Mounting instructions LEM-AB-192T-x1-NNNN

#### About this documentation

This documentation is for technicians and service engineers. This documentation contains important information to assemble the product safe and proper.

#### Validity of the documentation

This documentation is valid for the following fan units:

LEM-AB192T-**21**-NNNN

Connection voltage	
AC 115V, 60 Hz	= 1
AC 230V, 50/60 Hz	= 2

lem01-0011ts

#### Safety

Observe the safety instructions in this documentation.

Therewith, you avoid personal danger, damage and errors.

- ▶ This operating instruction must be stored and transferred in case of sale during the complete product lifetime.

Do not install or operate fan units or components of electric drive and control systems, as long as you have not read all delivered documentation. Please observe the respectively valid national, local and plant-specific regulations, the safety notes in the documentation and the warning and signs on the components. Improper use of the components and non-observance of the described safety notes can lead to damage, bodily injury, electric shock or in extreme case lead to death. In the case of damage due to non-observance of the safety notes, Bosch Rexroth assumes no liability.

Before start-up, connect the protective conductors on all electric components according to the connection plan. Op-

eration, even for short measuring purposes is only allowed with fixed connected protective conductor on the specified points of the components.

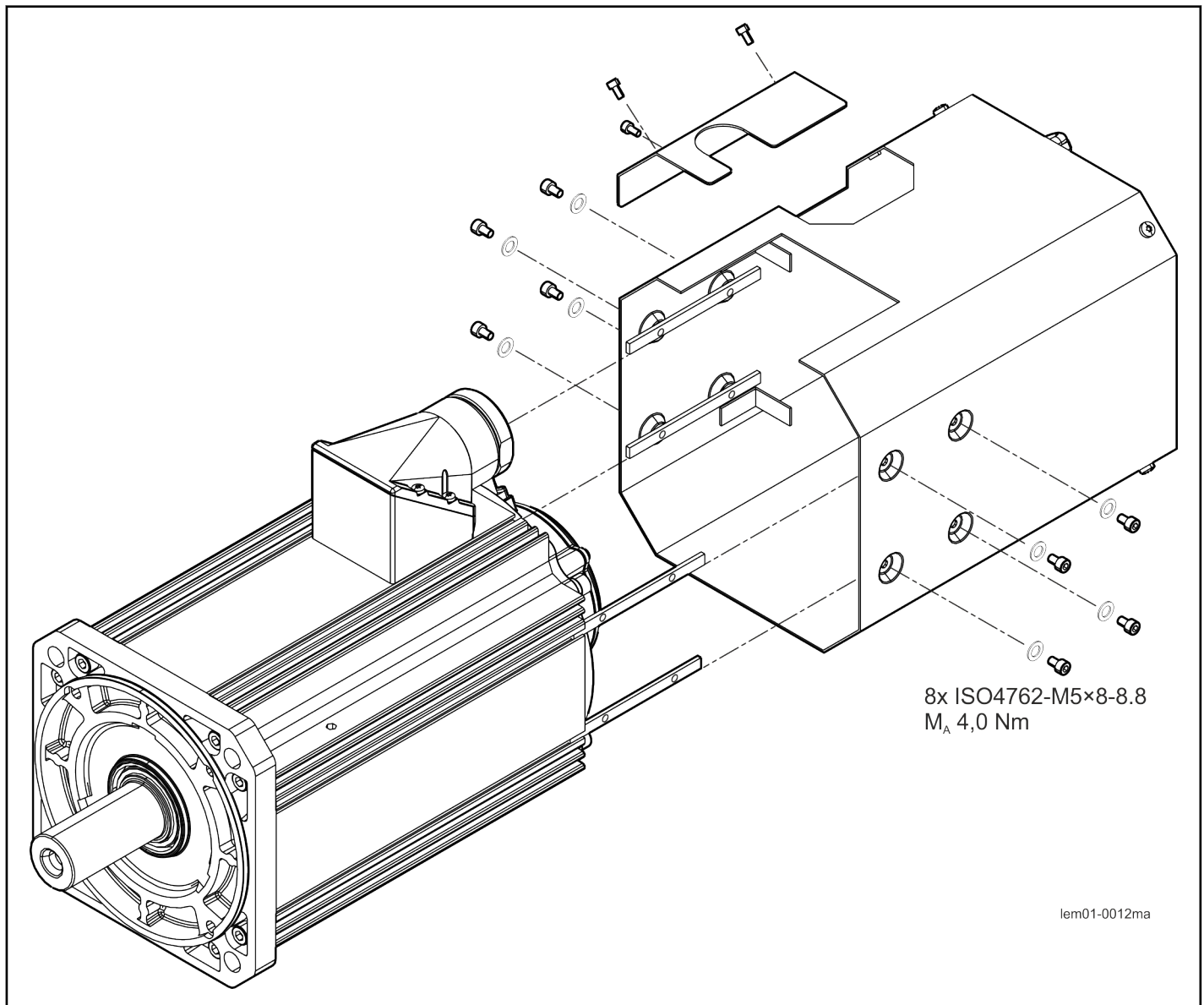
#### Indented use

Prerequisites for proper and safe use of the motors are proper transport, appropriate storage, proper assembly and connection, careful maintenance, operation and overhaul. The fan units have been designed for installation in industrial machinery. The fan units match with the following standards and Directives (EN 60034-1; 60204-1; EN 60529; EN 61000-6-3; EN 61000-6; EG Directives low voltage 2014/35/EU and EMC 2014/30/EU). The machine manufacturer must evaluate the electric and mechanic safety as well as environmental influences in the assembled state of the machine according to the Machine Directive 2006/42/EC and DIN EN 60204-1 (safety of machines). The electrical installation must comply with the protection requirements of EMC Directive 2014/30/EU. The plant manufacturer is responsible for appropriate installation (for example: physical separation of signal and power cables, using shielded cables, ...). The EMC instructions of the converter manufacturer must be observed. The machine may not be commissioned before conformity with these directives has been confirmed.

#### Scope of delivery

- ▶ 1 × Fan unit LEM-AB192T-x1-NNNN
- ▶ 1 × Mounting instructions

## Mounting



Mounting LEM-AB-192T-x1-NNNN

### Electrical connection

#### **⚠ WARNING**

**Danger! Electric voltage! Operations in the vicinity of live parts are extremely dangerous.**

Work required on the electric system may only be carried out by skilled electricians. Tools for electricians (VDE tools) are absolutely necessary.



#### **Prior to commencing work:**

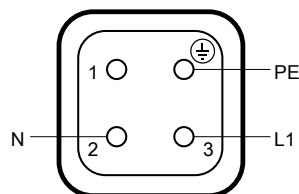
1. Isolate (even auxiliary circuits).
2. Protect the system or plant against restart.
3. Ensure de-energization.

4. Ground and short-circuit.

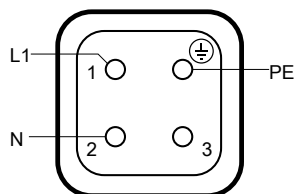
5. Cover or shield any adjacent live parts.

Before starting to work, check with an appropriate measuring device whether parts of the system are still under residual voltage (e.g. caused by capacitors, etc.). If yes, wait until these parts have discharged.

RLS0780 (115 V)



RLS0780 (230 V)



Connection LEM-AB192T-x1-NNNN

### Connection clamps fan unit

Wire	Terminal range [mm <sup>2</sup> ]	Designation
L1, N	0.75 ... 1.5	Wire end ferrules
PE		

Terminal range fan connection

### Technical data

Designation	Symbol	Unit	LEM-AB-192T-11-NNNN	LEM-AB-192T-21-NNNN
Voltage type		-	1~ AC	
Nominal frequency	$f_1$	Hz	60	50
Nominal voltage	$U_{1,f1}$	V	115	230
Fan current	$I_{1,f1}$	A	0.48	0.21
Power consumption	$S_{1,f1}$	VA	55.00	48.00
Nominal frequency	$f_2$	Hz	-	60
Nominal voltage	$U_{1,f2}$	V	-	230
Fan current	$I_{1,f2}$	A	-	0.20
Power consumption	$S_{1,f2}$	VA	-	46.00
Degree of protection (EN 60034-5)	-	-	IP65	
Thermal class (EN 60034-1)	T.CL.	-	105	
Thermal protection <sup>1)</sup>	-	-	TPF	
Air flow direction		-	blowing	
Mass	m	kg	4.3	
Latest amendment: 2014-04-30				

1) TPF: Thermal Protected Fan (UL: self protected), no motor protection switch necessary; \*: Motor protection switch necessary

Data sheet fan unit

- ▶ Establish a safe protective conductor connection.
- ▶ Do only use suitable installation material.
- ▶ Use cable ends (no distant wire ends).
- ▶ Clamping area of cable gland 7 ... 10 mm. Use connection cables which outer diameter is adjusted with the clamping range.
- ▶ Do only use plug connectors free from dirt, foreign bodies and humidity.

LEM-AB-192T fan units with integrated thermal protection do not need a wiring with an external motor protective switch.

Observe the plant regulations before installation.

Installation material is not included in the scope of delivery.

Bosch Rexroth AG  
Electric Drives and Controls  
Bgm.-Dr.-Nebel-Str. 2  
97816 Lohr, Germany  
Phone +49 9352 18 0

[service.svc@boschrexroth.de](mailto:service.svc@boschrexroth.de)  
[www.boschrexroth.com/electrics](http://www.boschrexroth.com/electrics)



**Copyright**

© Bosch Rexroth AG 2016

Copying this document, giving it to others and the use or communication of the contents thereof without express authority, are forbidden. Offenders are liable for the payment of damages. All rights are reserved in the event of the grant of a patent or the registration of a utility model or design (DIN 34-1).