

## Hydraulic transmission motor type OMRW NF with negative brake and needle bearings

---

DKMH.PN.120.A1.02 is new

---



---

### Introduction

Extending our range of OMR motors, we now offer a transmission motor with integrated holding brake (negative brake) and an out-put shaft running in needle bearings for use in

both open and closed circuits. The brake is a spring-actuated multiple-disc brake that is released through application of a hydraulic pressure.

---

### Characteristics

- High holding torque
- Compact unit with maximum brake/motor integration
- Minimum servicing
  - the brake is lubricated automatically by drain oil (no separate oil change)

---

### Application

Because of its needle bearings the motor is ideal for arduous working conditions, for example:

- High radial load
- Frequent starts/stops
- Shaft vibrations

---

### Application examples

- Road rollers
- Work platforms
- Mowing machines
- Miniloaders
- Sweepers
- Winches
- Machine tools



OIL SOLUTIONS

---

**PO Box 38**  
**Strathfieldsaye, VIC, 3551**  
**1800 OIL SOL**  
**1800 645 765**

[sales@oilsolutions.com.au](mailto:sales@oilsolutions.com.au)

[www.oilsolutions.com.au](http://www.oilsolutions.com.au)

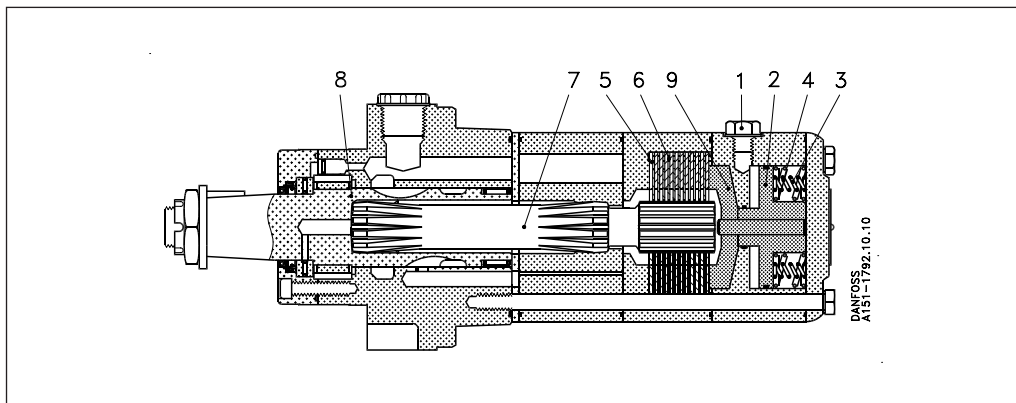
"For All Your Hydraulic Needs"

## Function

When there is no release pressure on the integrated brake in the OMRW NF, the motor is braked. The brake is released by applying a min. 21 bar hydraulic pressure on the brake release port (1). (see also page 2, note 4)  
The pressure forces the piston (2) against the springs (3 and 4), which disengages the outer (5) and inner (6) discs from one another and

enables the drive shaft (7) and thus also the output shaft (8) to rotate freely.

If the pressure on the brake release port is reduced to less than 21 bar, the springs force the piston and the thrust pad (9) against the brake discs and cause drive shaft/output shaft to lock in position.



## Code numbers

Wheel motor with negative holding brake and needle bearings (OMRW NF)

Type	OMRW 80 NF	OMRW 100 NF	OMRW 125 NF	OMRW 160 NF	OMRW 200 NF	OMRW 250 NF	OMRW 315 NF	OMRW 375 NF
Tapered shaft ø35 mm	151-6441*	151-6442 *	151-6443 *	151-6444	151-6445	151-6446 *	151-6447*	151-6448 *
Weight (kg)	14,4	14,5	14,7	15,0	15,5	16,0	16,5	17,0

\*Sales and code number not active. Please contact the Sales Organisation for Hydraulics

## Technical data on OMRW NF with 35 mm tapered shaft

Type / Motor size		OMRW 80 NF	OMRW 100 NF	OMRW 125 NF	OMRW 160 NF	OMRW 200 NF	OMRW 250 NF	OMRW 315 NF	OMRW 375 NF
Geometric displacement (cm <sup>3</sup> /rev)		80,3	99,8	125,7	159,6	199,8	249,3	315,7	372,6
Max. speed (min <sup>-1</sup> )	cont.	750	600	475	375	300	240	190	160
	int. <sup>1)</sup>	940	750	600	470	375	300	240	200
Max. torque (daNm)	cont.	19,5	24	30	38	45	54	55	58
	int. <sup>1)</sup>	22	28	34	43	50	61	69	69
	peak <sup>2)</sup>	27	32	37	46	56	71	84	83
Max. output (kW)	cont.	12,5	13	12,5	12,5	11	10	9	7,5
	int. <sup>1)</sup>	15	15	14,5	14	13	12	10	9
Max. pressure drop (bar)	cont.	175	175	175	175	175	175	135	115
	int. <sup>1)</sup>	200	200	200	200	200	200	175	150
	peak <sup>2)</sup>	225	225	225	225	225	225	210	175
Max. oil flow (l/min)	cont.	60	60	60	60	60	60	60	60
	int. <sup>1)</sup>	75	75	75	75	75	75	75	75
Max. starting pressure with unloaded shaft (bar)		10	9	7	5	5	5	5	5
Min. starting torque (daNm)	at max.press.drop cont.	15	20	25	32	41	50	50	47
	at max.press.drop int. <sup>1)</sup>	17	23	28	37	46	55	66	57
Min. speed <sup>3)</sup> (min <sup>-1</sup> )		10	10	9	7	5	5	5	5
Max. inlet/return press.	cont.	175							
	int. <sup>1)</sup>	200							
	peak <sup>2)</sup>	225							
Holding torque (daNm)		40							
Min. brake release press. <sup>4)</sup> (bar)		21							
Max.pressure in brake line (bar)		200							

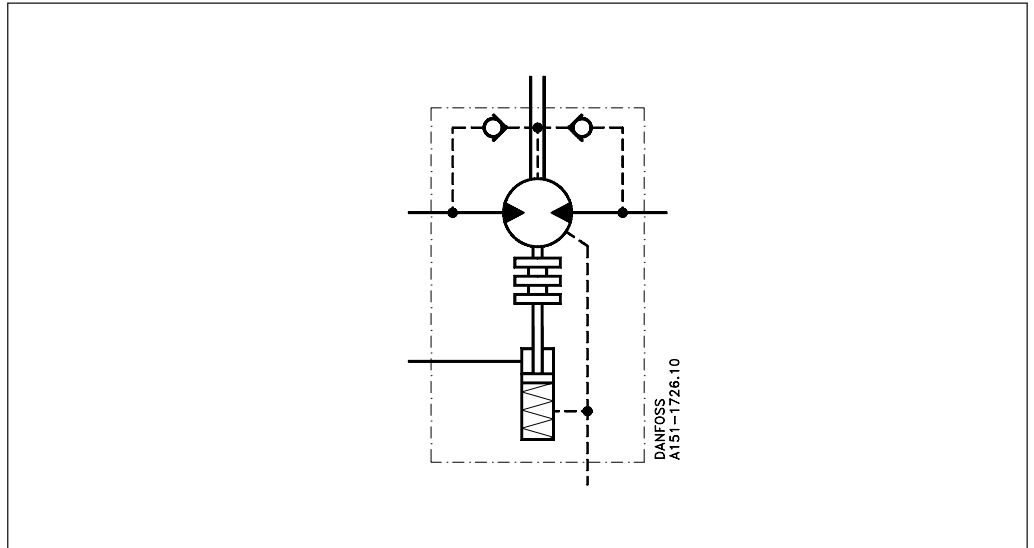
<sup>1)</sup> Intermittent operation: the permissible values may occur for max. 10% of every minute.

<sup>2)</sup> Peak load: the permissible values may occur for max. 1% of every minute.

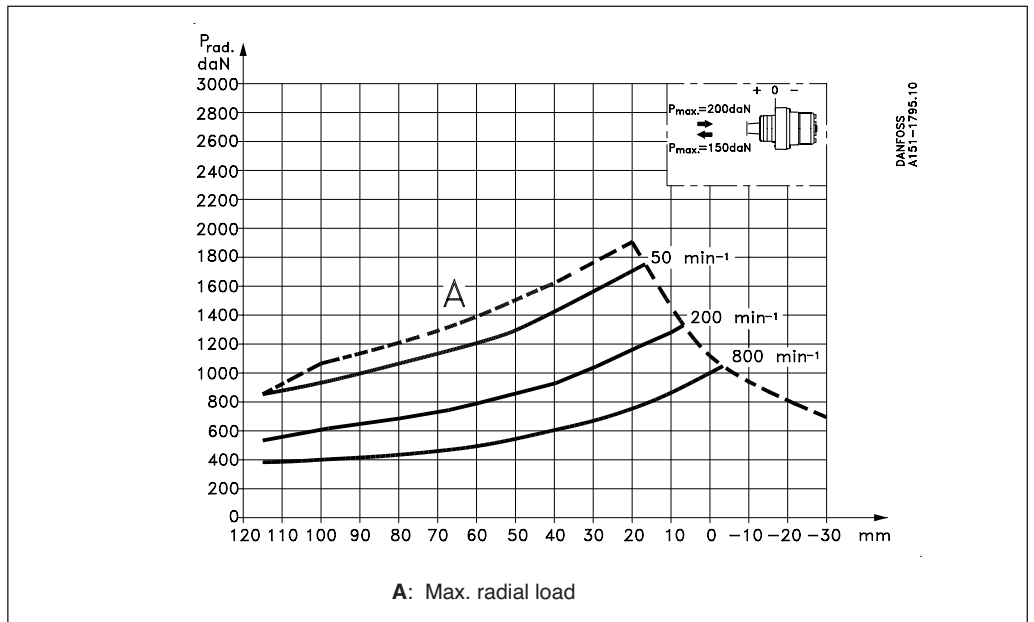
<sup>3)</sup> Operation at lower speeds may be slightly less smooth.

<sup>4)</sup> Brake motors must always have a drain line. The brake release pressure is the difference between the pressure in the brake release line and the pressure in the drain line.

OMR W NF motors must always have a drain line



Max. permissible radial load for OMRW NF with needle bearing, 35 mm tapered shaft and square 4-hole mounting flange



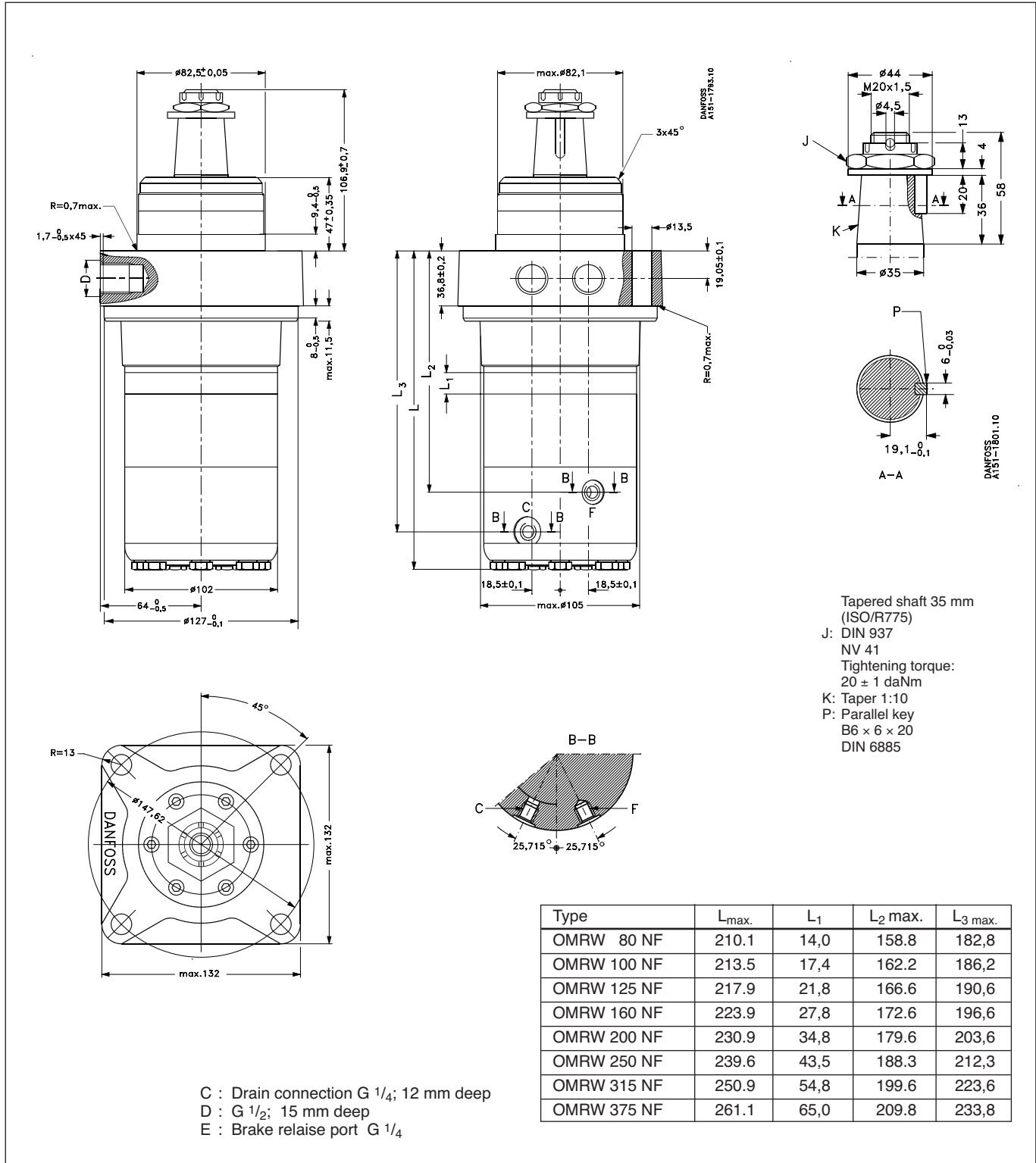
The permissible radial load on the shaft is shown for different speeds as a function of the distance from the mounting flange to the point of load application.

Curve A indicates the max. radial shaft load. Any shaft load exceeding the values quoted in curve A will involve risk of breakage.

The other curves apply to a B10 bearing life of 2000 hours at the number of revolutions indicated. Mineral based hydraulic oil with a sufficient content of anti-wear additives must be used.

Bearing life calculations can be made using the explanation and formula provided in the chapter "Bearing dimensioning" in the subcatalogue "General information".

# Dimensions



Type	L <sub>max.</sub>	L <sub>1</sub>	L <sub>2</sub> max.	L <sub>3</sub> max.
OMRW 80 NF	210.1	14,0	158.8	182,8
OMRW 100 NF	213.5	17,4	162.2	186,2
OMRW 125 NF	217.9	21,8	166.6	190,6
OMRW 160 NF	223.9	27,8	172.6	196,6
OMRW 200 NF	230.9	34,8	179.6	203,6
OMRW 250 NF	239.6	43,5	188.3	212,3
OMRW 315 NF	250.9	54,8	199.6	223,6
OMRW 375 NF	261.1	65,0	209.8	233,8