



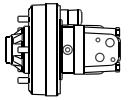
OIL SOLUTIONS

PO Box 38
 Strathfieldsaye, VIC, 3551
 1800 OIL SOL
 1800 645 765

sales@oilsolutions.com.au

www.oilsolutions.com.au

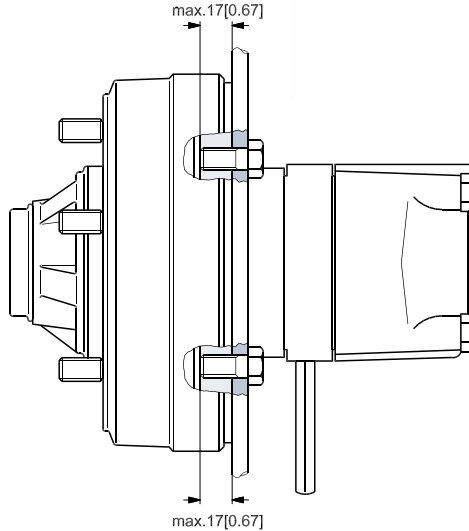
"For All Your Hydraulic Needs"



Installation Guide

Orbital Motor

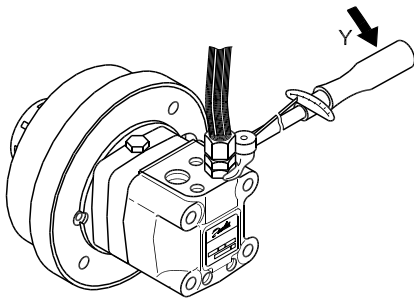
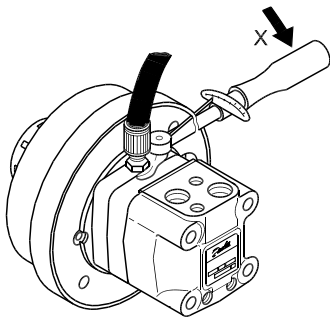
type OMSB



151-1265.10

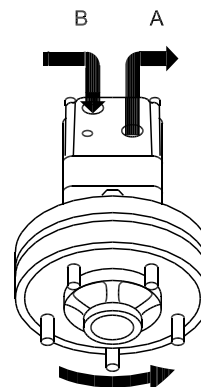
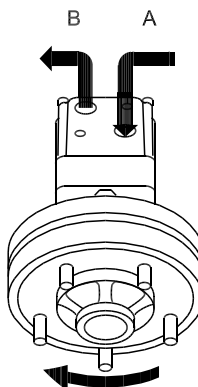
Tilspændingsmoment
Tightening torque
Anzugsmoment
Couple de serrage

19,0-21,0 daNm
 1682-1858 lbf in
 1682-1858 in-lbs



151-1266.10

Max. tilspændingsmoment Max. tightening torque Max. Anzugsmoment Couple de serrage maxi				
	X		Y	
Forskrning Screwed connection Verschraubung Raccord	G1/4	7/16 - 20 UNF	G1/2	7/8 - 14 UNF
med stålskive with steel washer mit Stahlscheibe avec rondelle en acier	40 Nm [350 lbf·in]		130 Nm [1150 lbf·in]	
med aluminiumsskive with aluminiumwasher mit Aluminiumscheibe avec rondelle en aluminium	30 Nm [270 lbf·in]		70 Nm [620 lbf·in]	
med skærekant with cutting edge mit Dichtkante tranchant	40 Nm [350 lbf·in]		130 Nm [1150 lbf·in]	
med O-ring with O-ring mit O-Ring avec joint torique		20 Nm [180 lbf·in]		70 Nm [600 lbf·in]



151-1267.10