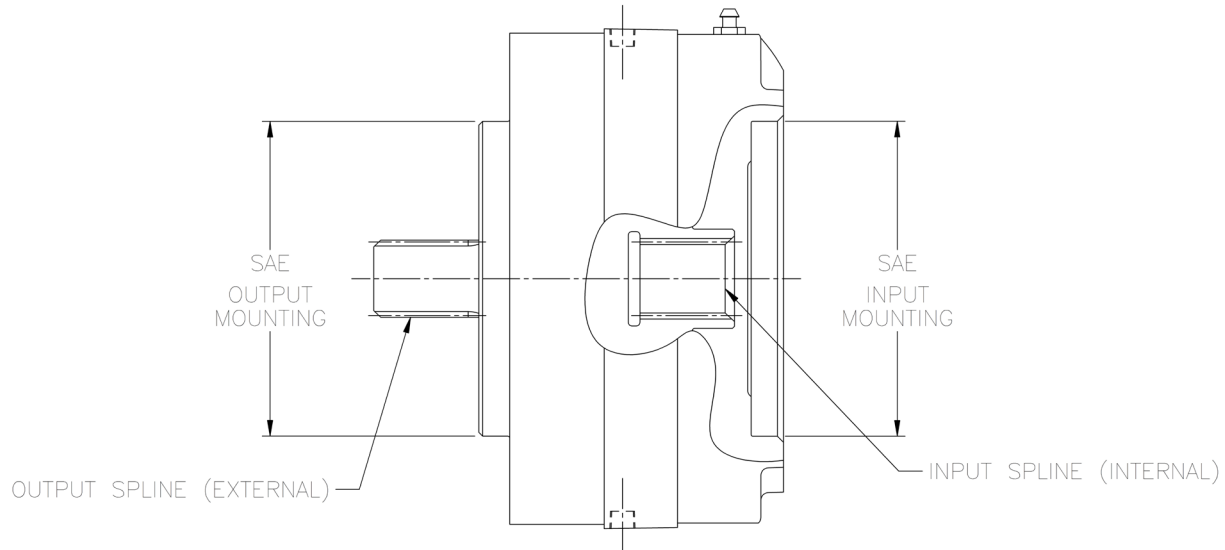


Wheel Drives Bolt On

About Bolt On Park Brakes

Bolt On Park Brakes are the traditional type of static parking brake. They are spring applied and hydraulically released. They are available in all Power Wheel® models and configurations.



Bolt On Park Brakes

Models: ALL

Part Number	Order Code	Input Mount	Input Spline	Holding Torque		Minimum Release Pressure		Output Mount	Output Spline
				lbf-in	N-m	PSI	Bar		
957306		SAE B	13T 16/32	3,800	429	230	15.9	SAE B	13T 16/32
957307	A3	SAE B	13T 16/32	2,600	294	170	11.7	SAE B	13T 16/32
957308	A1	SAE C	14T 12/24	5,400	610	150	10.3	SAE C	14T 12/24
957309	A2	SAE C	14T 12/24	7,200	813	190	13.1	SAE C	14T 12/24
957314	A4	SAE C	14T 12/24	9,000	1017	230	15.9	SAE C	14T 12/24
957315		SAE B	13T 16/32	3,200	362	190	13.1	SAE B	13T 16/32
957317		SAE A	1" 6B	2,600	294	180	12.4	SAE B	13T 16/32
957330		SAE D	13T 8/16	8,000	904	250	17.2	SAE C	14T 12/24
957333	A11	SAE B	14T 12/24	4,600	520	230	15.9	SAE B	13T 16/32
957337	A15	SAE B	13T 16/32	3,800	429	240	16.5	SAE B	13T 16/32
957338	A16	SAE A	1" 6B	3,700	418	290	20.0	SAE A	1" 6B
957340	A17	SAE B	13T 16/32	2,800	316	215	14.8	SAE B	13T 16/32

Maximum Release Pressure = 3,000 PSI (206.8 Bar)

Minimum Release Pressure is the pressure required to have a full running clearance within the brake



1800-OILSOL
1800-645765

<https://oilsolutions.com.au/>

sales@oilsolutions.com.au



Auburn Gear, LLC • 400 East Auburn Drive • Auburn, IN (USA)
Phone 260.925.3200