

AuburnGear

Engineered Drive Solutions



OIL SOLUTIONS

PO Box 38
Strathfieldsaye, VIC, 3551
1800 OIL SOL
1800 645 765

sales@oilsolutions.com.au

www.oilsolutions.com.au

"For All Your Hydraulic Needs"



Power Wheel®
Right Angle Drives

260.925.3200

AuburnGear.com

Power Wheel® Right Angle Drives

Continuous Torque Rating¹.....3,000 lb-in (340 Nm)
 @540 rpm= 25.7 HP (19.2 kW)
 @1000 rpm= 47.6 HP (35.5 kW)

¹Contact Auburn Gear for intermittent torque rating.

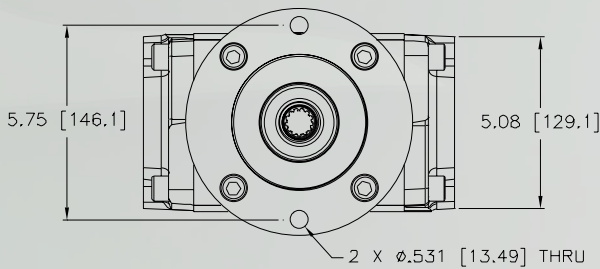
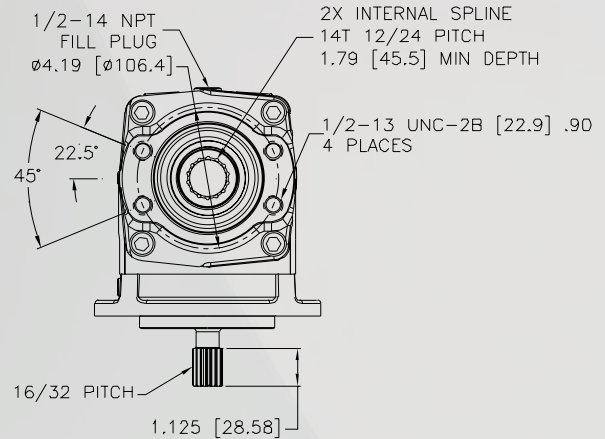
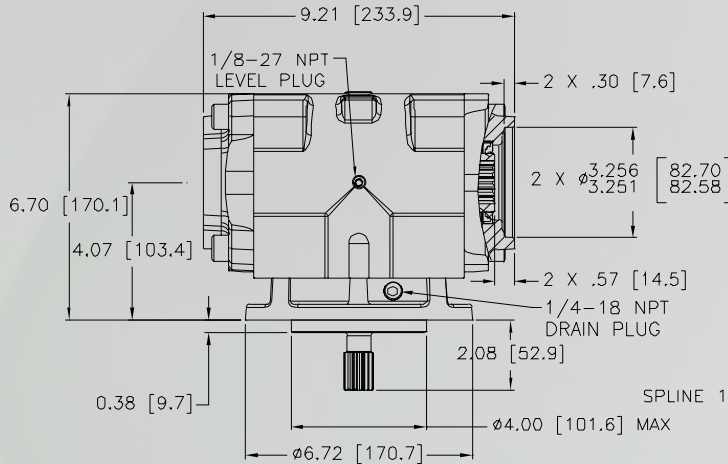
Approximate Weight.....50 lbs. (22.7 kg)

Oil Capacity².....20 oz. (600 cc)

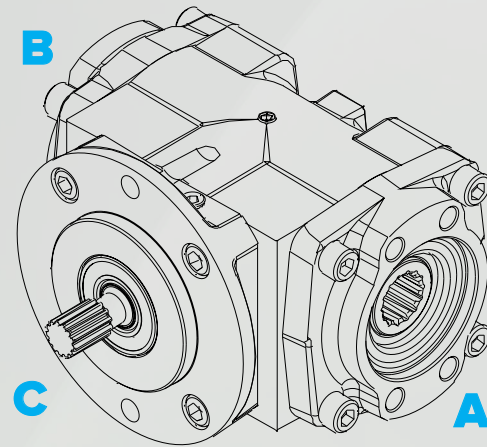
Max input speed³.....3,000 rpm

²Oil capacity for horizontal and shaft-down applications, for shaft-up applications, please contact Auburn Gear

³Contact Auburn Gear for input speeds above 3,000 rpm.



Rotation Inputs & Outputs		
A	B	C
CW	CCW	CCW
CCW	CW	CW



RA=Right Angle Drive

1:1 Ratio

RA **A414** **1** **B13**

Inputs= SAE A, 4-bolt magneto mount, 14T 12/24 input spline

Output= SAE B, 13T 16/32 output



1800-OILSOL
1800-645765

<https://oilsolutions.com.au/>

sales@oilsolutions.com.au



phone 260.925.3200
 fax 260.925.4725
 web AuburnGear.com

Auburn Gear Inc.
 400 East Auburn Drive
 Auburn, IN (USA) 46706-3499