

# AuburnGear

Engineered Drive Solutions



OIL SOLUTIONS

PO Box 38  
Strathfieldsaye, VIC, 3551  
1800 OIL SOL  
1800 645 765

[sales@oilsolutions.com.au](mailto:sales@oilsolutions.com.au)

[www.oilsolutions.com.au](http://www.oilsolutions.com.au)

"For All Your Hydraulic Needs"



## TWISTOTOW®

### Model 6 and Model 8 Spindle Output Drives

260.925.3200

[AuburnGear.com](http://AuburnGear.com)

# TWISTOTOW® Model 6 Drive

## Single Reduction

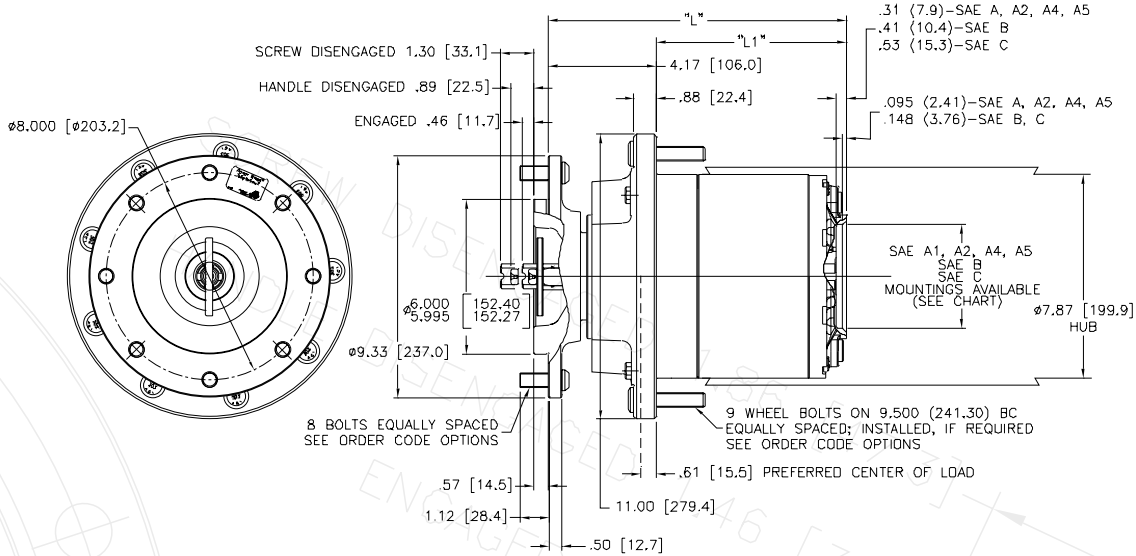
## Double Reduction

Max. intermittent output torque<sup>1, 2</sup>.....30,000 lb-in (3,390 Nm)  
 Max. input speed <sup>2</sup> ..... 3,500 RPM  
 Approximate Weight ..... 80 lbs (36.3 kg)  
 Oil capacity ..... 22 oz (650 cc)

Max. intermittent output torque<sup>1, 2</sup>.....50,000 lb-in (5,650 Nm)  
 Max. input speed <sup>2</sup> ..... 5,000 RPM  
 Approximate Weight ..... 110 lbs (50.0 kg)  
 Oil capacity ..... 32 oz (950 cc)

<sup>1</sup> Depending on the duty cycle and the nature of the application, a normal continuous output torque of 1/3 to 1/2 of the maximum Intermittent should yield satisfactory Power Wheel® life. Customer testing and application analysis is strongly recommended.

<sup>2</sup> If application exceeds published limit, contact Auburn Gear.

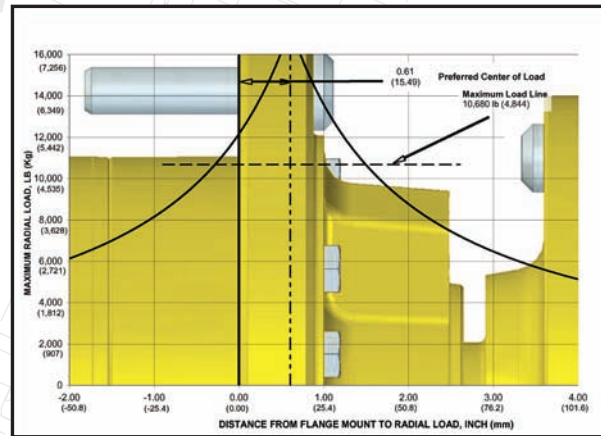


**Model 6 Length Chart**

Length	L1	L	Length	L1	L
SAE A Single Red.	5.36 (136.1)	9.53 (242.1)	A5 Single Red	5.36 (136.1)	9.53 (242.1)
SAE A Double Red.	6.96 (176.8)	11.13 (282.7)	A5 Double Red	6.96 (176.8)	11.13 (282.7)
A2 Single Red	5.36 (136.1)	9.53 (242.1)	SAE B Single Red	5.73 (145.5)	9.90 (251.5)
A2 Double Red	6.96 (176.8)	11.13 (282.7)	SAE B Double Red	7.33 (186.2)	11.50 (292.1)
A4 Single Red	6.80 (172.7)	10.97 (278.6)	SAE C Single Red	6.92 (175.8)	11.09 (281.7)
A4 Double Red	8.40 (213.4)	12.57 (319.3)	SAE C Double Red	8.52 (216.4)	12.69 (322.3)

FEATURE CHART: MODEL 6 TwistOTow® Spindle Output Units						
OPTIONS	DESCRIPTION	MAKE ALL SELECTIONS IN ONE COLUMN			ORDER CODES	USE OPTION ORDER CODES TO BUILD ORDER NUMBER
BASE MODEL	6 Single Reduction	*	*	*	6T	
	6 Dbl Reduction	*	*	*	6S	6S
MOTOR PILOT	SAE A	*	*	*	A	
	A2	*	*	*	A2	
	A4	*	*	*	A4	
	A5	*	*	*	A5	
	SAE B	*	*	*	B	B
	SAE C	*	*	*	C	
HUB	4.17" Flange-to-Flange	*	*	*	F	F
INPUT SPLINE	13T 16/32	*	*	*	13	13
	14T 12/24	*	*	*	14	
	15T 16/32	*	*	*	15	
	17T 12/24	*	*	*	17	
	1" 6B	*	*	*	6B	
RATIO OPTIONS	3.75:1	*	*	*	03	
	4.50:1	*	*	*	04	
	5.05:1	*	*	*	05	
	5.81:1	*	*	*	06	
	14.06:1	*	*	*	14	
	16.88:1	*	*	*	16	
	20.62:1	*	*	*	20	20
	22.74:1	*	*	*	22	
	25.53:1	*	*	*	25	
	29.37:1	*	*	*	29	
	33.79:1	*	*	*	33	
HUB STUDS	None	*	*	*	00	
	1/2 x 2.50	*	*	*	16	
	9/16 x 2.75	*	*	*	18	18
	5/8 x 2.98	*	*	*	12	
SPINDLE OPTIONS	8 thru holes on 8.00" BC	*	*	*	FD1	FD1
SPINDLE STUDS	None	*	*	*	00	
	1/2 x 1.62	*	*	*	26	
	9/16 x 1.62	*	*	*	27	27

Example of complete order code: 6S B F 13 20 18 FD1 27



**NOTE:**

These curves are supplied as a design guide and apply to resultant radial load only. They indicate the importance of maintaining load position over the bearing center.

For actual analysis, applications should be reviewed by Auburn Gear Engineering using data supplied on Application Data Form.

# TWISTOTOW® Model 8 Drive

## Single Reduction

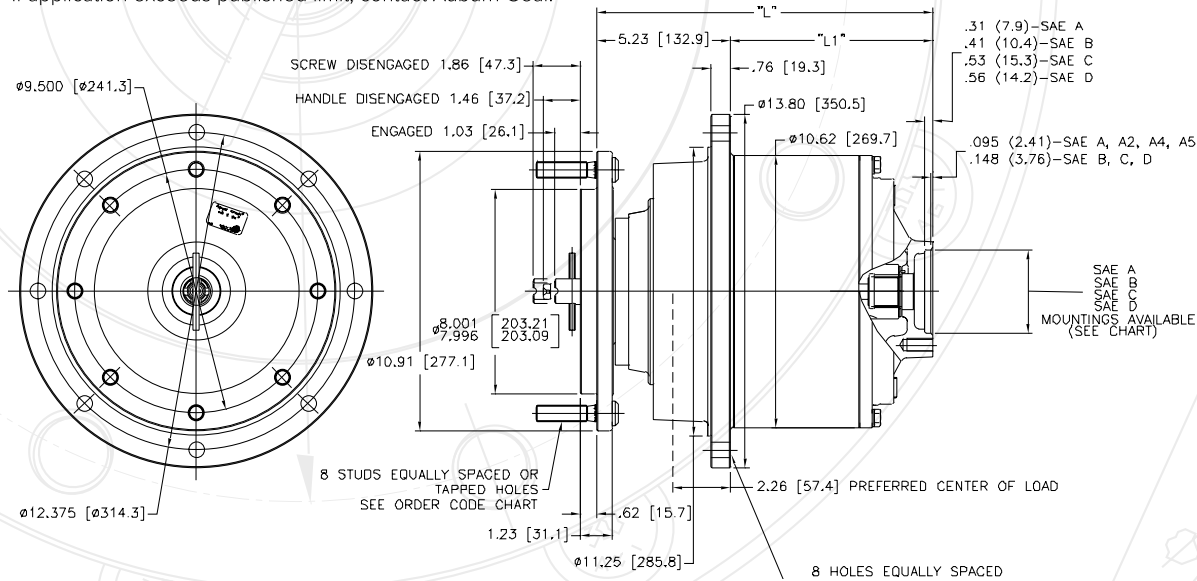
## Double Reduction

Max. intermittent output torque<sup>1,2</sup>.....60,000 lb-in (6,780 Nm)  
 Max. input speed <sup>2</sup> ..... 3,500 RPM  
 Approximate Weight ..... 140 lbs (63.5 kg)  
 Oil capacity ..... 60 oz (1775 cc)

Max. intermittent output torque<sup>1,2</sup>.....100,000 lb-in (11,300 Nm)  
 Max. input speed <sup>2</sup> ..... 5,000 RPM  
 Approximate Weight ..... 175 lbs (80.0 kg)  
 Oil capacity ..... 70 oz (2075 cc)

<sup>1</sup> Depending on the duty cycle and the nature of the application, a normal continuous output torque of 1/3 to 1/2 of the maximum Intermittent should yield satisfactory Power Wheel® life. Customer testing and application analysis is strongly recommended.

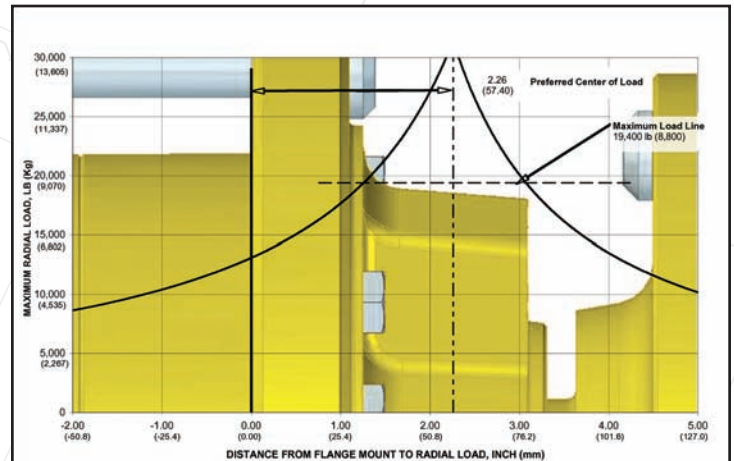
<sup>2</sup> If application exceeds published limit, contact Auburn Gear.



**Model 8 Length Chart**

Length	L1	L
SAE A Single Red.	5.93 (150.6)	11.26 (286.0)
SAE A Double Red.	7.91 (200.9)	13.24 (336.3)
SAE B Double Red.	6.60 (167.6)	11.93 (303.0)
SAE C Single Red.	5.84 (148.3)	11.17 (283.7)
SAE C Double Red.	7.82 (198.6)	13.15 (334.0)
SAE D Single Red.	6.59 (167.4)	11.92 (302.8)

FEATURE CHART: MODEL 8B TwistOTow™ Spindle Output Units						
OPTIONS	DESCRIPTION	MAKE ALL SELECTIONS IN ONE COLUMN			ORDER CODES	USE OPTION ORDER CODES TO BUILD ORDER NUMBER
BASE MODEL	8B Single Reduction	*	*	*	8T2	
	8B Double Reduction	*	*	*	8S2	
MOTOR PILOT/HUB	SAE A	*			A	A
	SAE B	*			B	
	SAE C	*			C	
	SAE D	*			D	
INPUT SPLINE	13T 16/32	*	*		13	
	14T 12/24	*	*		14	14
	17T 12/24	*	*		17	
	13T 8/16	*	*		13	
RATIO OPTIONS	3.92:1	*	*	*	03	
	6.00:1	*	*	*	06	
	7.07:1	*	*	*	07	
	15.39:1	*	*	*	15	
	18.83:1	*	*	*	18	
	23.59:1	*	*	*	23	
	26.71:1	*	*	*	26	
	31.50:1	*	*	*	31	31
35.20:1	*	*	*	35		
42.42:1	*	*	*	42		
50.00:1	*	*	*	50		
HUB STUDS	None	*	*	*	00	00
	1/2 x 2.50	*	*	*	16	
	9/16 x 2.75	*	*	*	18	
	5/8 x 2.98	*	*	*	12	
SPINDLE OPTIONS	8 thru holes on 9.50" B.C.	*	*	*	FD1	FD1
	(8) 5/8"-11 on 9.50" BC	*	*	*	FD2	
SPINDLE STUDS	None	*	*	*	00	
	1/2 x 2.50	*	*	*	16	
	9/16 x 2.75	*	*	*	18	
	5/8 x 2.98	*	*	*	12	
Example of complete order code: 8S2 A 14 31 00 FD1 12						



### NOTE:

These curves are supplied as a design guide and apply to resultant radial load only. They indicate the importance of maintaining load position over the bearing center.

For actual analysis, applications should be reviewed by Auburn Gear Engineering using data supplied on Application Data Form.

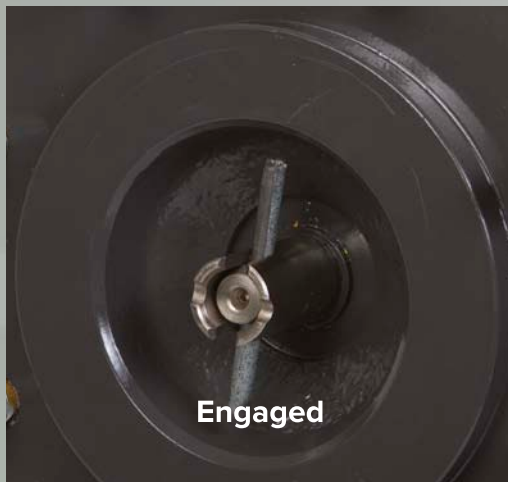
# TWISTOTOW®

## Model 6 and Model 8 Spindle Output Drives

The TWISTOTOW® (patent pending) feature allows our customers the flexibility to have an off-highway drive assist, while being able to tow our Power Wheel drives at highway speeds.

Precision computer-aided bearing setting allows for optimal bearing life. This is critical when towing at highway speeds as excessive heat is a major factor that affects bearing longevity.

Simple is best, and our design is simple. Just pull and twist to disengage the drive mechanism. To re-engage the drive system, simply pull and twist.



OIL SOLUTIONS

1800-OILSOL  
1800-645765

<https://oilsolutions.com.au/>

[sales@oilsolutions.com.au](mailto:sales@oilsolutions.com.au)

