

Gelenk 45x45, lockable
Joint 45x45, lockable
Articulation 45x45, lockable
Snodo 45x45, lockable
Articulación 45x45, lockable
Articulação 45x45, lockable

3 842 548 170/2013-10

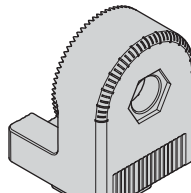
Replaces: –
DE+EN+FR+IT+ES+PT



Montageanleitung • Assembly instructions • Instructions de montage
Istruzioni per il montaggio • Instrucciones de montaje • Instruções de montagem

3 842 546 564

Lieferumfang
Scope of delivery
Fourniture
Fornitura
Volumen del suministro
Lote de fornecimento



2x



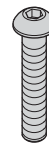
1x



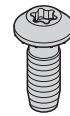
1x



1x



1x



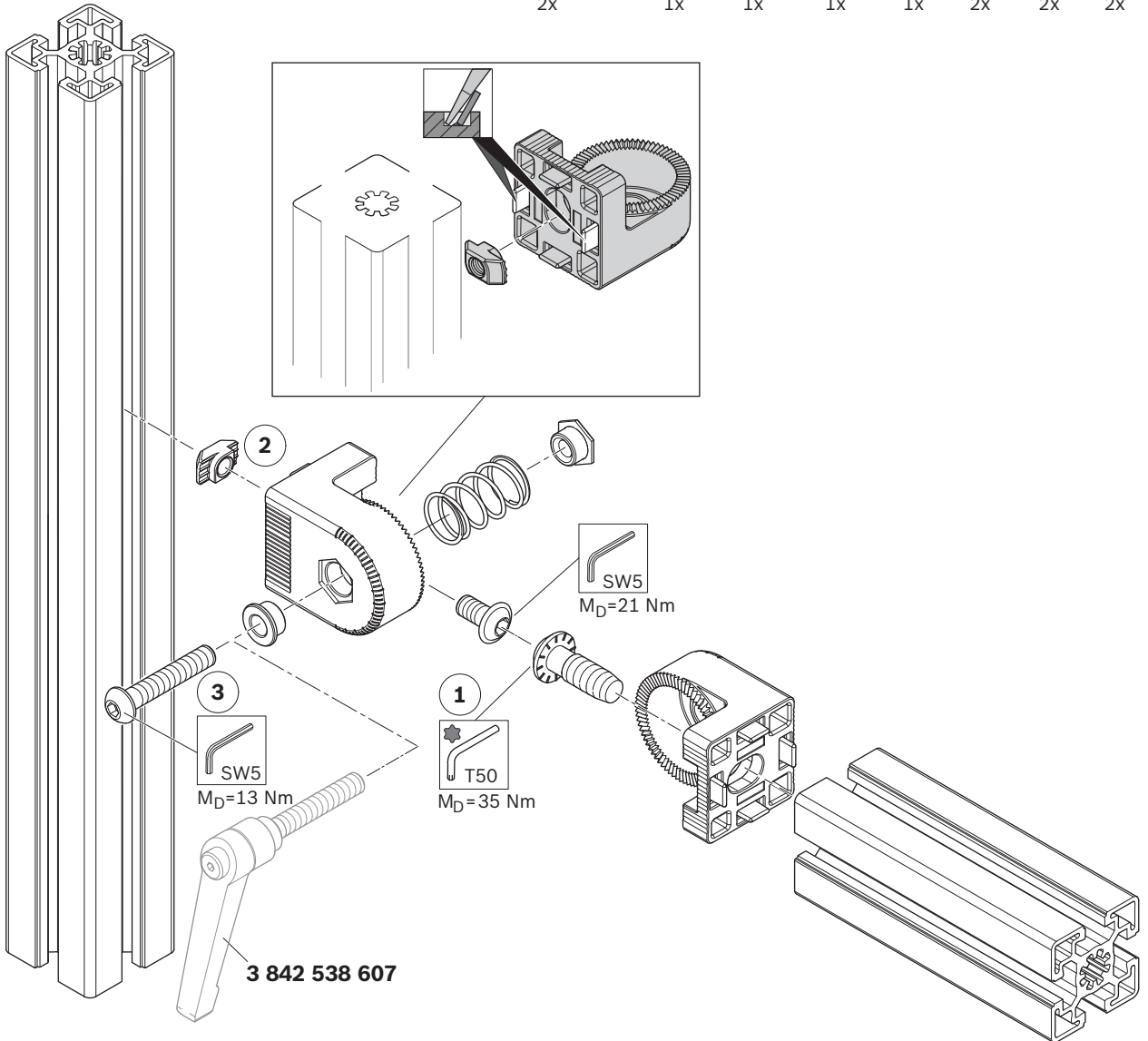
2x



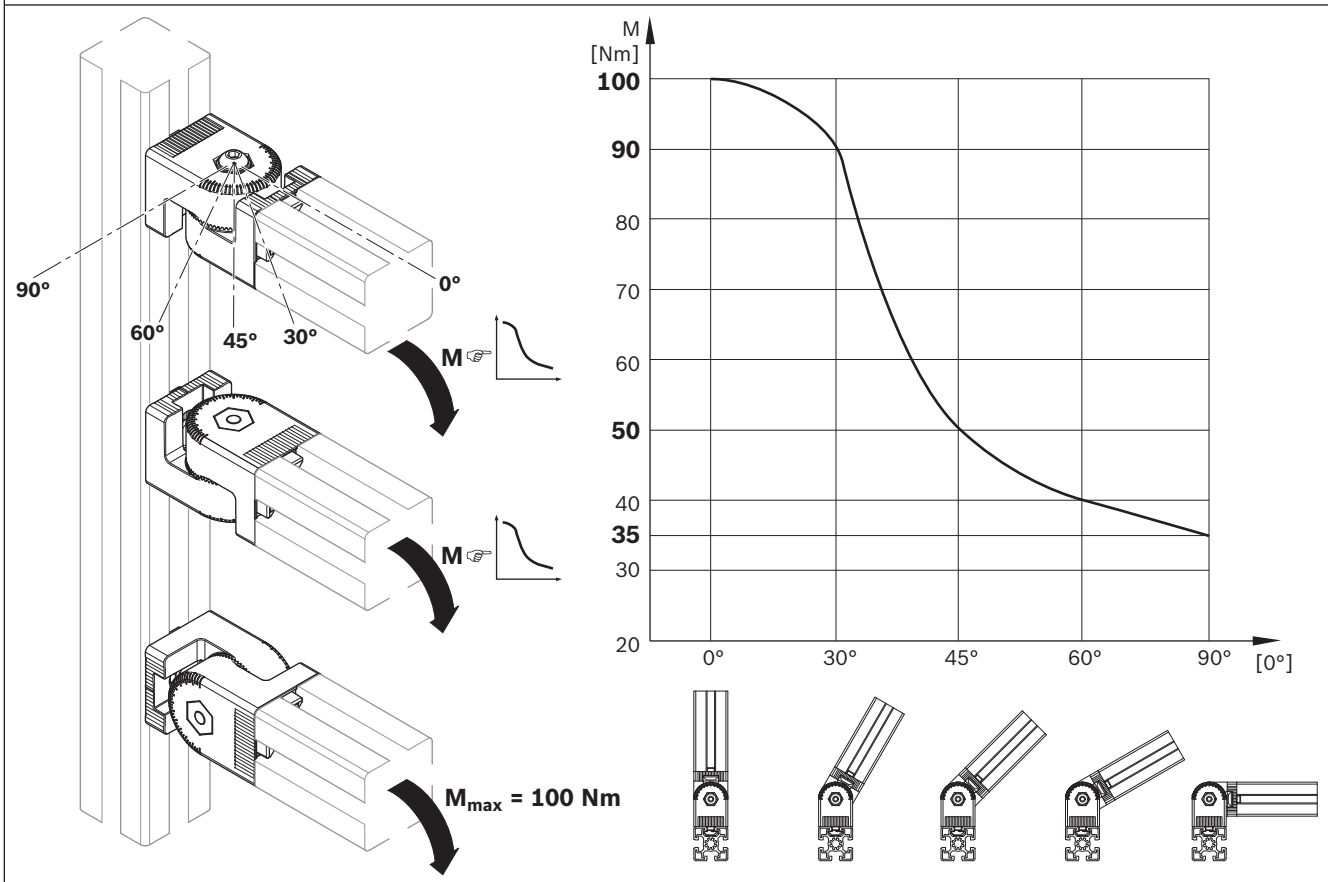
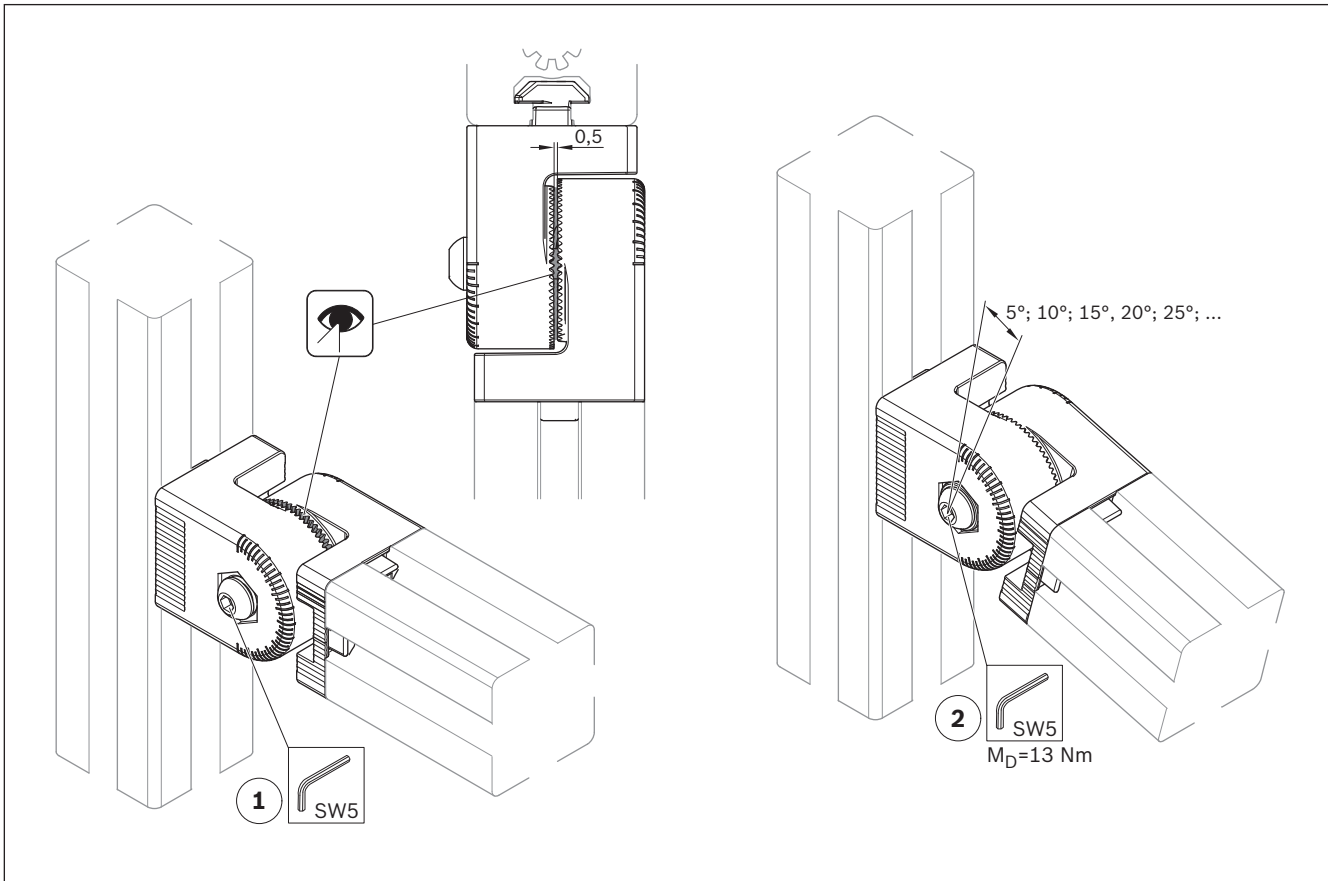
2x



2x



3 842 538 607



548 170-02