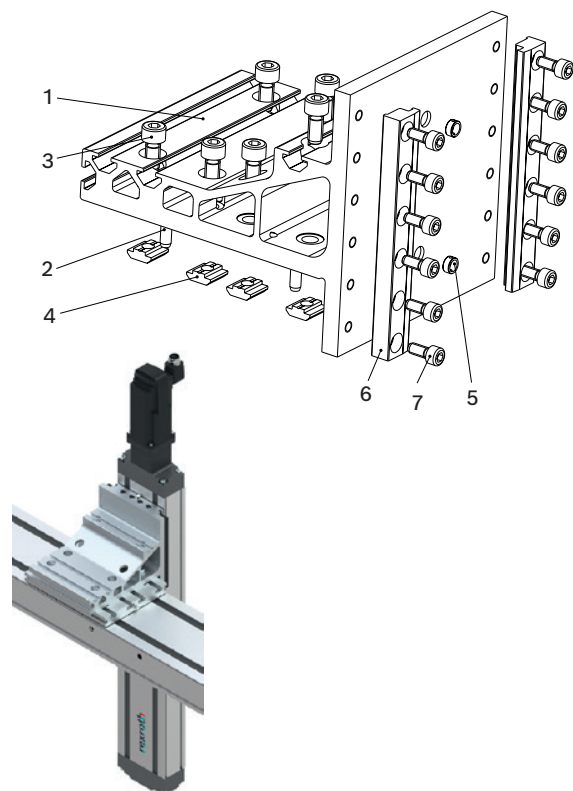


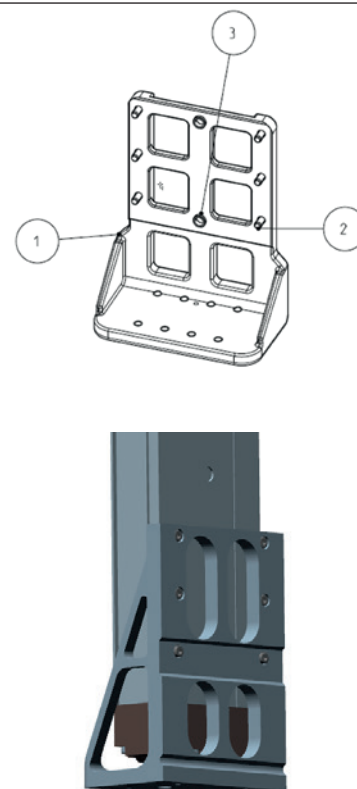
Verbindungswinkel X-Achse / Z-Achse
Connecting angle X-axis / Z-axis

CMS	MNR ¹⁾	1	2	3	4	5	6	7
CMS-2VA-20-2 CMS-2VA-21-2	R039110481	1x	2x 5x20	8x M5x14	8x N6 M5	2x Ø9	2x	12x M4x12
CMS-2VA-22-2 CMS-2VA-23-2	R039110482	1x	2x 5x20	8x M5x14	8x N6 M5	2x Ø9	2x	12x M6x14
CMS-2VA-30-2 CMS-2VA-31-2	R039110483	1x	2x 6x20	8x M8x18	8x N8 M8	2x Ø9	2x	12x M6x14
CMS-2VA-32-2 CMS-2VS-33-2	R039110484	1x	2x 6x20	8x M8x20	8x N8 M8	2x Ø12	2x	12x M6x16



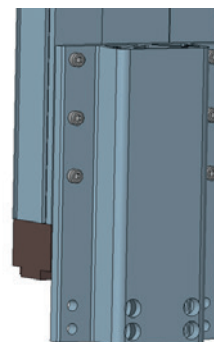
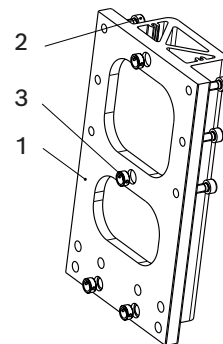
Schnittstelle Z-Achse
Interface Z-axis

CMS	MNR ¹⁾	1	2	3
CMS-3SA-10-2 CMS-3SA-11-2 CMS-2VB-1x-2	R039120423	1x	6x M3x8	2x Ø7
CMS-3SA-20-2 CMS-3SA-21-2 CMS-3SB-2x-2 CMS-2VA-20-2 CMS-2VA-21-2 CMS-2VB-20-2 CMS-2VB-21-2	R039120424	1x	6x M4x12	2x Ø9
CMS-3SA-22-2 CMS-3SA-23-2 CMS-3SA-3x-2 CMS-2SB-2x-2 CMS-3SB-3x-2 CMS-3SC-2x-2 CMS-3SC-3x-2 CMS-2VA-22-2 CMS-2VA-23-2 CMS-2VA-30-2 CMS-2VA-31-2 CMS-2VB-22-2 CMS-2VB-23-2 CMS-2VB-30-2 CMS-2VB-31-2	R039120425	1x	6x M5x12	2x Ø9
CMS-3SB-4x-2 CMS-3SC-4x-2 CMS-2VA-32-2 CMS-2VA-33-2 CMS-2VB-32-2 CMS-2VB-33-2 CMS-2VB-40-2 CMS-2VB-41-2	R039120426	1x	6x M6x18	2x Ø12
CMS-3SB-50-2 CMS-3SB-61-2	R039120427	1x	6x M8x22	2x Ø16



Schnittstelle Z-Achse
Interface Z-axis

CMS	MNR ¹⁾	1	2	3
CMS-3SA-10-2	R039120371	1x	6x M3x8	4x Ø7
CMS-3SA-11-2				
CMS-2VB-1x-2				
CMS-3SA-20-2	R039120372	1x	6x M4x14	4x Ø9
CMS-3SA-21-2				
CMS-3SB-2x-2				
CMS-2VA-20-2				
CMS-2VA-21-2				
CMS-2VB-20-2	R039120373	1x	6x M5x18	4x Ø9
CMS-2VB-21-2				
CMS-3SA-22-2				
CMS-3SA-23-2				
CMS-3SA-3x-2				
CMS-3SB-22-2				
CMS-3SB-23-2				
CMS-3SB-3x-2				
CMS-3SC-2x-2				
CMS-3SC-3x-2				
CMS-2VA-22-2				
CMS-2VA-23-2				
CMS-2VA-30-2				
CMS-2VA-31-2				
CMS-2VB-22-2				
CMS-2VB-23-2				
CMS-2VB-30-2				
CMS-2VB-31-2				
CMS-3SB-4x-2	R039120374	1x	6x M6x25	4x Ø12
CMS-3SC-4x-2				
CMS-2VA-32-2				
CMS-2VA-33-2				
CMS-2VB-32-2				
CMS-2VB-33-2	R039120375	1x	6x M8x20	4x Ø16
CMS-2VB-40-2				
CMS-2VB-41-2				
CMS-3SB-50-2				
CMS-3SB-61-2				



1) Baugruppe / assembly group