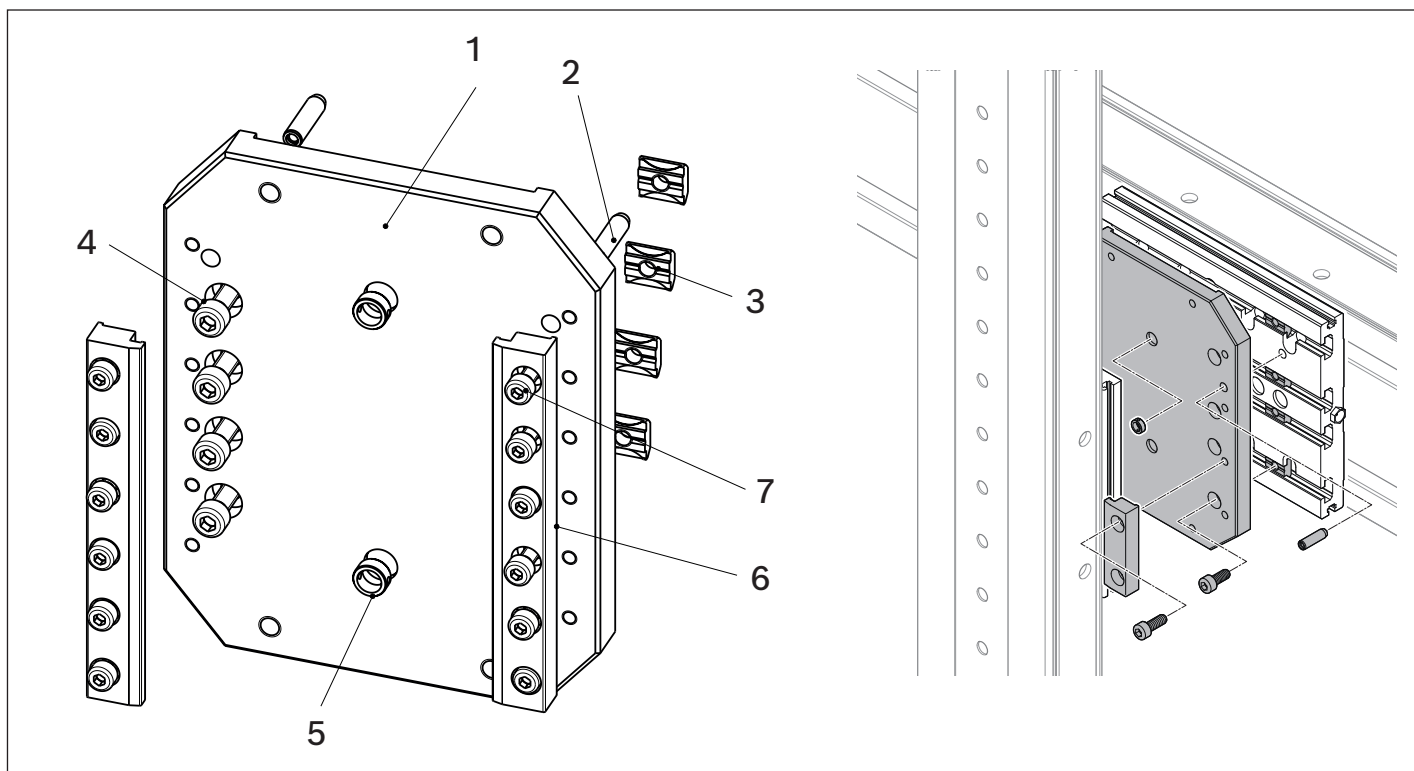


**Verbindungsplatte Y-Achse / Z-Achse**  
**Connecting plate Y-axis / Z-axis**



CMS	MNR <sup>1)</sup>	1	2	3	4	5	6	7
CMS-3Sx-1x-2	R039120429	1x	2x 5x20	8x N6xM5	8x M5x14	2x Ø9	2x	8x M5x14
CMS-2VB-1x-2								
CMS-3Sx-20-2	R039120351	1x	2x 5x20	8x N6xM5	8x M5x14	2x Ø9	2x	12x M4x12
CMS-3Sx-21-2								
CMS-2VB-20-2								
CMS-2VB-21-2	R039120352	1x	2x 5x20	8x N6xM5	8x M5x14	2x Ø9	4x	8x M6x16
CMS-3Sx-22-2								
CMS-3Sx-23-2								
CMS-2VB-22-2								
CMS-2VB-23-2	R039120353	1x	2x 6x20	8x N8xM6	8x M6x14	2x Ø9	4x	8x M6x16
CMS-3Sx-3x-2								
CMS-2VB-30-2								
CMS-2VB-31-2	R039120354	1x	2x 6x20	8x N8xM6	16x M6x14	2x Ø12	6x	12x M6x16
CMS-2VB-32-2								
CMS-2VB-33-2	R039120355	1x	2x 8x32	8x N10xM8	8x M8x16	2x Ø12	6x	12x M6x16
CMS-3SB-4x-2								
CMS-2VB-4x-2	R039120428	1x	--	8x N4xM4	8x M4x12	2x Ø7	--	--
CMS-2HA-0x-2								
CMS-2HA-1x-2	R039120430	1x	--	8x N6xM5	8x M5x14	2x Ø9	--	--
CMS-2HA-2x-2	R039120366	1x	2x 5x20	8x N6xM5	8x M5x14	--	--	--
CMS-2HB-2x-2								
CMS-2HA-3x-2	R039120367	1x	2x 6x20	8x N8xM6	8x M6x14	--	--	--
CMS-2HB-3x-2								
CMS-2HB-4x-2	R039120368	1x	2x 8x32	8x N10xM8	8x M8x16	--	--	--
CMS-2HB-50-2								
CMS-3SB-50-2	R039120356	1x	2x 8x32	8x N10xM8	16x M8x18	2x Ø16	6x	12x M8x30
CMS-3SB-61-2	R039120388	1x	--	8x N10xM8	16x M8x25	4x Ø16	6x	12x M8x30
CMS-2HB-61-2	R039120420	1x	--	8x N10xM8	16x M8x25	2x Ø16	--	--

1) Baugruppe Verbindungsplatte / assembly group connecting plate