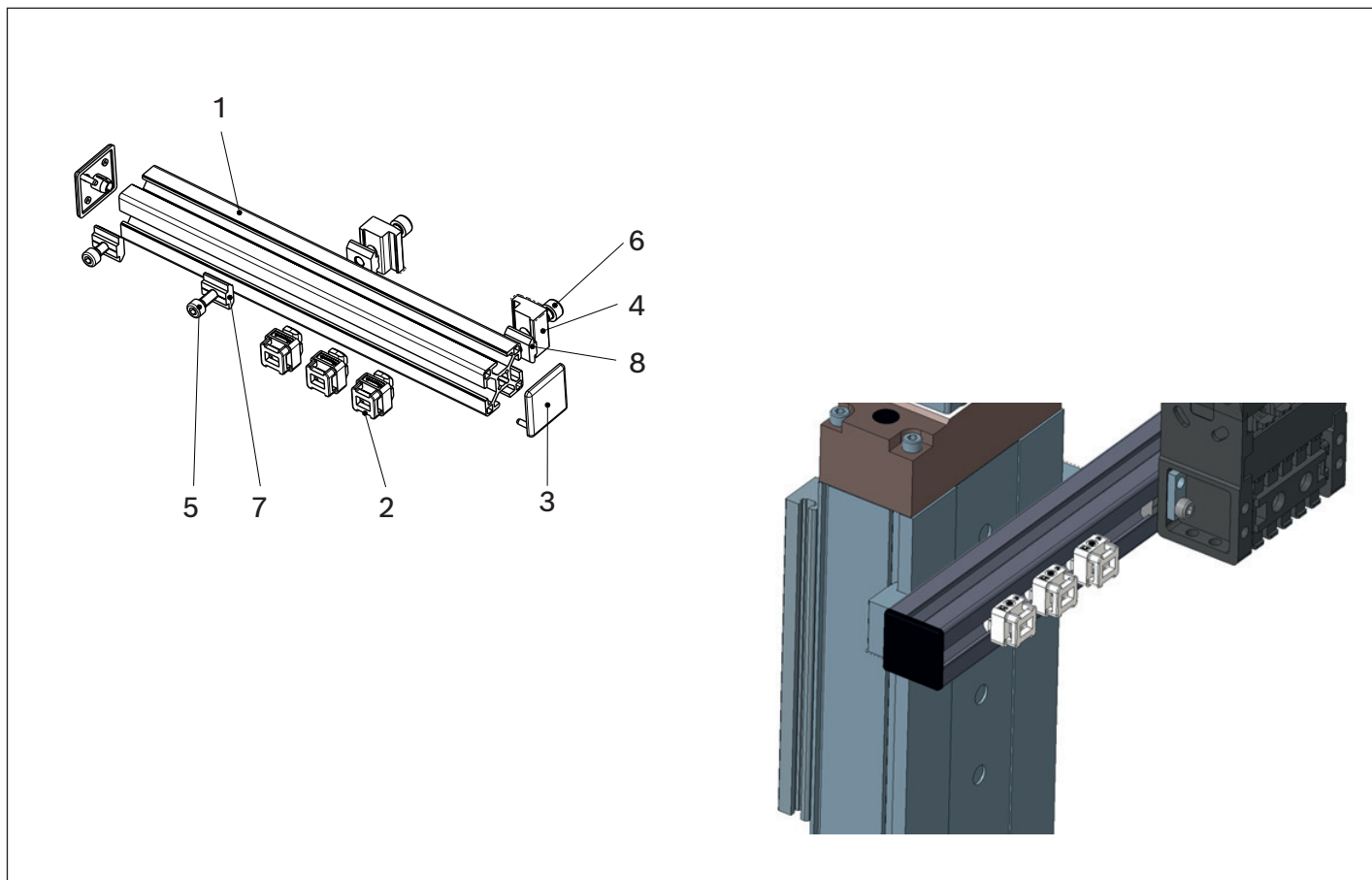


Profil für Energiekettenbefestigung
Profile for attachment of energy chains



CMS	MNR ¹⁾	1	2	3	4	5	6	7	8
CMS-3SA-10/11-2	R039170734	1x	2x	2x	2x	2x M5x16	2x M5x16	M5	M5
CMS-3SA-20-2									
CMS-3SA-21-2									
CMS-3SA-30-2	R039170072	1x	2x	2x	2x	2x M4x12	2x M5x16	M4	M5
CMS-3SA-31-2									
CMS-3SB-20-2									
CMS-3SB-21-2									
CMS-3Sx-22-2	R039170073	1x	2x	2x	2x	2x M5x16	2x M6x12	M5	M6
CMS-3Sx-23-2									
CMS-3SB/3SC-30-2	R039170075	1x	3x	2x	2x	2x M5x16	2x M6x12	M5	M6
CMS-3SB/3SC-31-2									
CMS-3SB-50/61-2	R039170717	1x	3x	2x	2x	2x M5x16	2x M6x30	M5	M6
CMS-3SB-61-2 (X)	R039170720	1x	3x	2x	--	2x M5x16	2xM6x35	M5	M6
CMS-2HB-61-2 (X)									
CMS-3Sx-40-2	R039170076	1x	3x	2x	2x	2x M5x16	2x M6x12	M5	M6
CMS-3Sx-41-2									
CMS-2VB-10/11-2	R039170716	1x	2x	2x	2x	2x M5x16	2x M5x16	M5	M4
CMS-2VB-20/21-2	R039170704	1x	3x	2x	2x	2x M5x16	2x M4x12	M5	M4
CMS-2VB-22/23-2									
CMS-2VB-30/31-2	R039170709	1x	3x	2x	2x	2x M5x16	2x M6x12	M5	M6
CMS-2VB-32/33-2	R039170714	1x	3x	2x	2x	2x M5x16	2x M6x12	M5	M6
CMS-2VB-40/41-2	R039170711	1x	3x	2x	2x	2x M5x16	2x M6x12	M5	M6

1) Baugruppe für Energiekettenbefestigung / assembly group for attachment of energy chains