

VT Patch Cord

RA 29785/06.98
Replaces: 06.94

1/2



Table of contents

Contents

Features	
Description	
Ordering details	
Unit dimensions	

Page

1
2
2
2

Features

- Used for connecting between a VT card faceplate test jack and an analog/digital meter for the purpose of measuring voltage of the amplifier card
- For servicing or trouble-shooting
- Can also be used with Rexroth test point and systems cards

Description

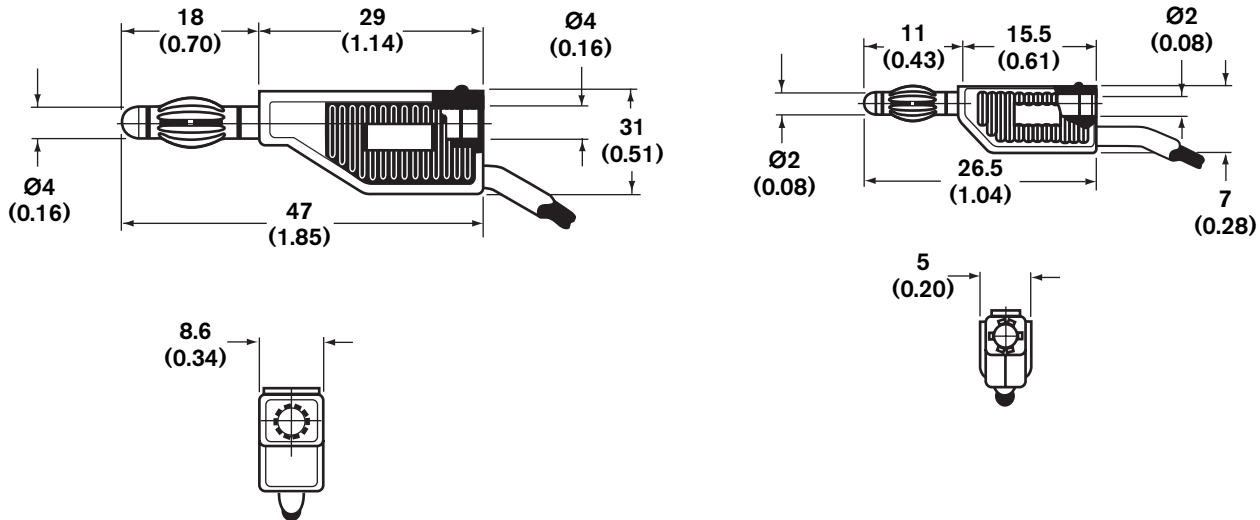
Flexible Patch Cords are supplied with a 2 mm (0.787 in) diameter plug on one end and a 4 mm (0.157 in) diameter plug on the other. They are connected by a 100 cm (40 in) length of silicone insulated wire (0.55 sq. mm/20 AWG), and are available in red or black color.

Ordering details

Ordering part number:

R978 807 707 (Red version)
R978 807 708 (Black version)

Unit dimensions – dimensions in millimeters (inches)



Bosch Rexroth Corp.
Industrial Hydraulics
2315 City Line Road
Bethlehem, PA 18017-2131
USA
Telephone (610) 684-8300
Facsimile (610) 694-8467
www.boschrexroth-us.com

© This document, as well as the data, specifications and other information set forth in it, are the exclusive property of Bosch Rexroth Corporation. Without their consent it may not be reproduced or given to third parties.

The data specified above only serve to describe the product. No statements concerning a certain condition or suitability for a certain application can be derived from our information. The information given does not release the user from the obligation of own judgment and verification. It must be remembered that our products are subject to a natural process of wear and aging.