

**Arbeitsdrehstuhl**  
**Swivelling work chair**  
**Siège de travail pivotant**  
**Sedia girevole da lavoro**  
**Silla de trabajo giratorias**  
**Cadeira giratória**

**3 842 546 917/2013-02**

Replaces: 2012-06

DE/EN/FR/IT/ES/PT

Montage/Bedienung • Installation/Operation  
Montage/Mode d'emploi • Montaggio/Impiego  
Montaje/Manejo • Montagem/Manuseio

## Dynamic...



**3 842 546 762**  
+ 3 842 546 774  
**3 842 546 764**  
+ 3 842 546 774  
**3 842 546 766**  
+ 3 842 546 774  
**3 842 546 768**

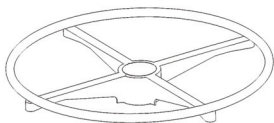
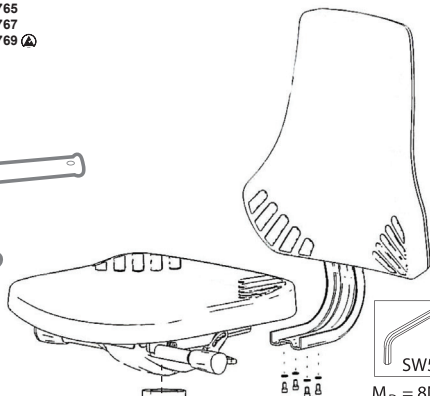
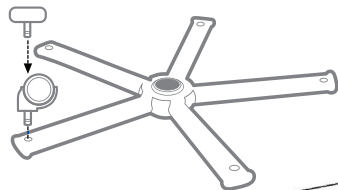


**3 842 546 763**  
+ 3 842 546 773, ...774  
**3 842 546 765**  
+ 3 842 546 773, ...774  
**3 842 546 767**  
+ 3 842 546 773, ...774



**3 842 546 763**  
+ 3 842 546 772, ...774  
**3 842 546 765**  
+ 3 842 546 772, ...774  
**3 842 546 767**  
+ 3 842 546 772, ...774  
**3 842 546 769**  
+ 3 842 546 775, ...774

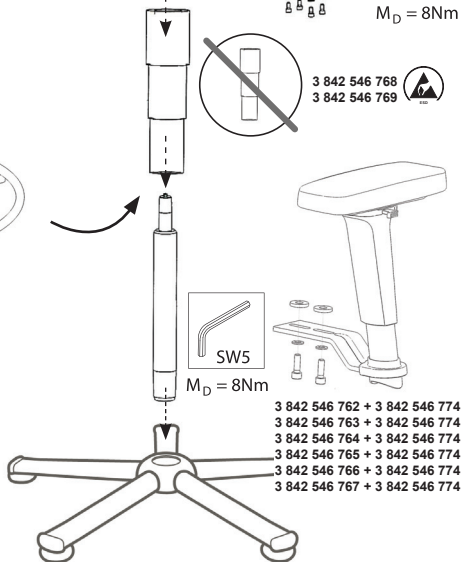
-  3 842 546 762      3 842 546 763  
 3 842 546 764     3 842 546 765  
 3 842 546 766     3 842 546 767  
 3 842 546 768      3 842 546 769 



- 3 842 546 763 + 3 842 546 773  
 3 842 546 765 + 3 842 546 773  
 3 842 546 767 + 3 842 546 773



- 3 842 546 768   
 3 842 546 769



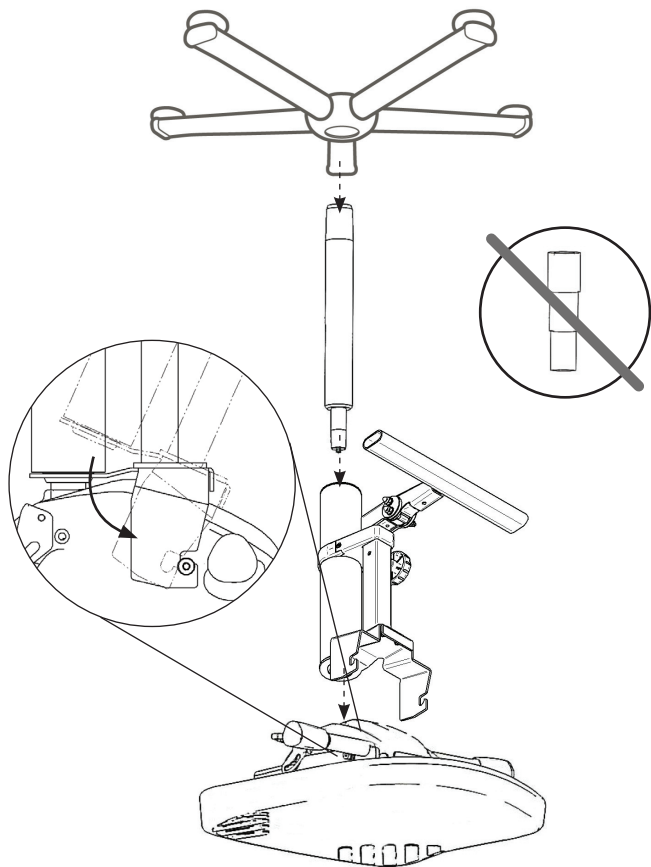
- 3 842 546 762 + 3 842 546 774  
 3 842 546 763 + 3 842 546 774  
 3 842 546 764 + 3 842 546 774  
 3 842 546 765 + 3 842 546 774  
 3 842 546 766 + 3 842 546 774  
 3 842 546 767 + 3 842 546 774

3 842 546 763 + 3 842 546 772

3 842 546 765 + 3 842 546 772

3 842 546 767 + 3 842 546 772

3 842 546 769 + 3 842 546 775











Bosch Rexroth AG  
Linear Motion and  
Assembly Technologies  
Postfach 30 02 07  
70442 Stuttgart, Germany  
DC-IA/MKT  
Telefax +49 711 811-7777  
[www.boschrexroth.com](http://www.boschrexroth.com)  
[info@boschrexroth.de](mailto:info@boschrexroth.de)

The data specified above only serve to describe the product. No statements concerning a certain condition or suitability for a certain application can be derived from our information. The given information does not release the user from the obligation of own judgement and verification. It must be remembered that our products are subject to a natural process of wear and aging.

© This document, as well as the data, specifications and other informations set forth in it, are the exclusive property of Bosch Rexroth AG. Without their consent it may not be reproduced or given to third parties.

Subject to modifications.

These instructions were originally generated in German.