

Explosion-proof Hägglunds MDA

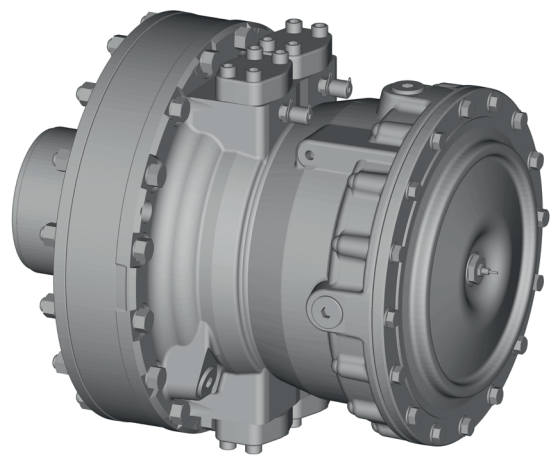
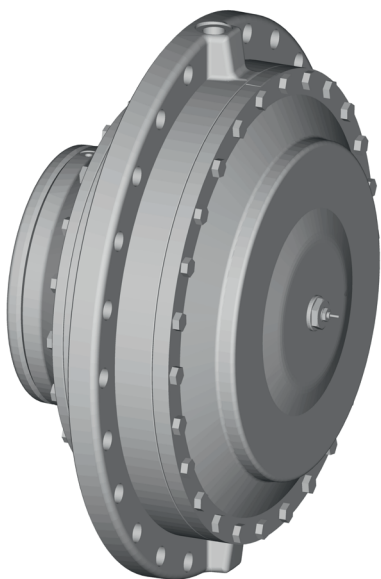


Multi disc parking brake, ATEX

Explosion-proof

Operating instructions
RE 15358-X-B0 /08.2017

Supersedes
English



What you need to know about these Operating Instructions

These operating instructions apply to Rexroth explosion-proof hydraulic products and consist of the following three parts:

Part I General Information, RE 15417-X-B1

Part II Installation & Maintenance manual CA, RE 15305-WA *)

Part III ATEX Appendix Installation & Maintenance manual Hägglunds MDA, RE 15358-X-B2

*) Only for MDA 5-10

Bosch Rexroth Mellansel AB

SE-895 80 Mellansel

Sweden

Tel. +46 (0) 660 870 00

Fax +46 (0) 660 871 60

documentation.mll@boschrexroth.se

www.boschrexroth.com/hagglunds

Your local contact can be found at:

www.boschrexroth.com/adresses