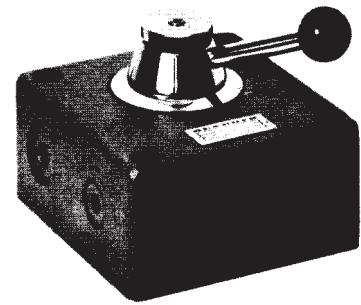


<b>REXROTH</b> <b>HYDRONORMA</b> ®	<b>2-Way Flow Control Valve Type MSA</b>		<b>RE</b> <b>28204</b>
	Size 30	up to 210 bar	
Description	Valve and subplate Lever adjustment of flow		Issue: 7.78

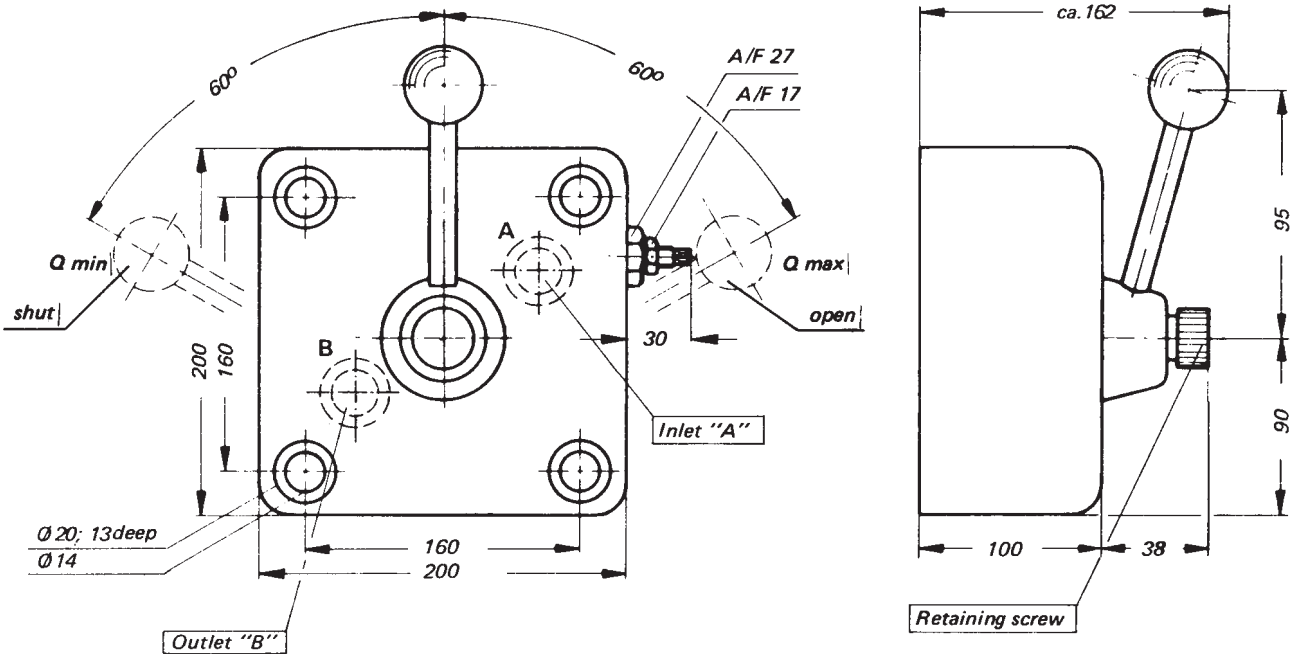
The flow control valves type MSA throttle a flow in one direction independent of pressure and give free flow in the opposite direction.

Flow is adjustable by means of a throttle screw through an angle of 120°. The throttle screw can be fixed in any position by means of a retaining screw. The flow setting can be read off from a scale on top of the valve.

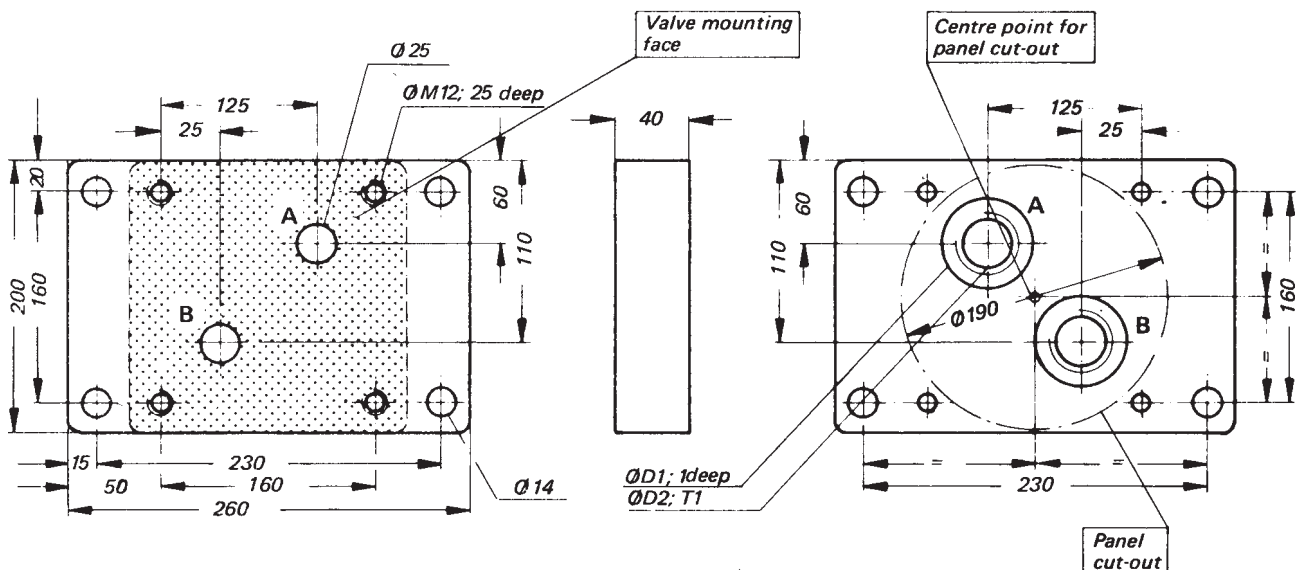
The flow control valves type MSA are available with or without a stroke limiter for the pressure compensator.



Unit Dimensions: Valve (in mm)



Unit Dimensions: Subplate (in mm)



Size	Valve fixing screws	Md (Nm)	Subplate Type	D1	D2	T1
30	4 Valve fixing screws M12 x 110 DIN 912-8.8	75	G 138/1	56	1 1/4" BSP	21
			G 139/1	61	1 1/2" BSP	23

Ordering Code (Subplate and fixing screws to be ordered separately)

**MSA 30 E P / \***

Size 30 = 30

Size

Options

Add further details  
in clear text

up to 160 l/min = 160  
up to 250 l/min = 250  
up to 300 l/min = 300

Flow range (A → B)

Stroke limiter

no  
desig.  
B = without stroke limiter  
= with stroke limiter

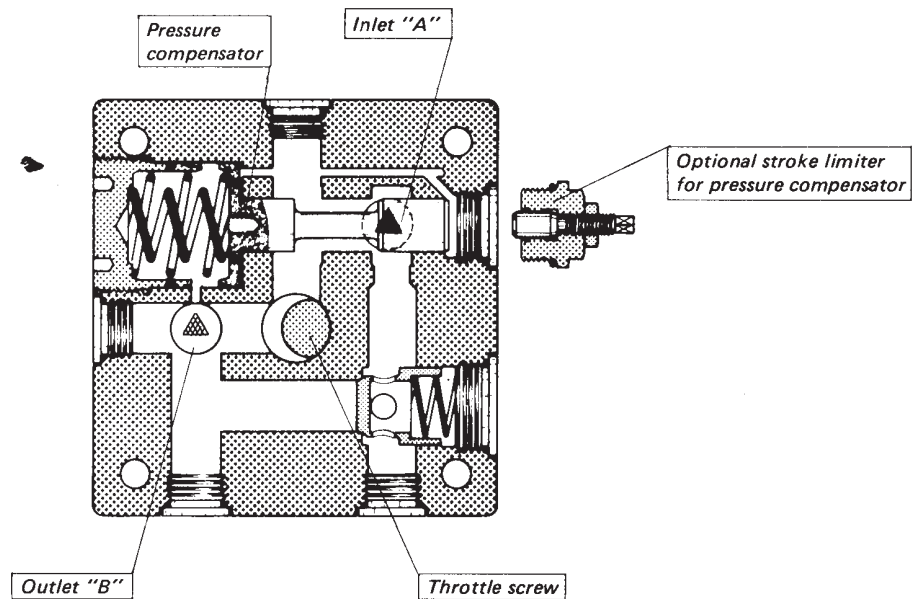
Technical Data

Flow control	pressure compensated
Hydraulic medium	mineral oils
Temperature range	-20 to +70°C
Viscosity range	2,8 to 380 cSt

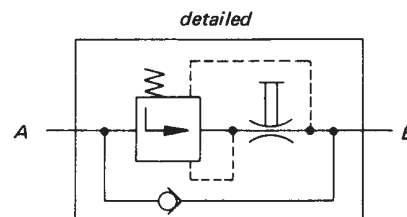
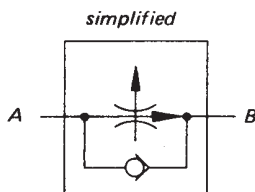
Operating pressure range inlet "A"	up to 210 bar
Min. pressure differential	5 to 10 bar ( $Q_{max}$ -dependent)

For applications to other specifications please consult us

Section



Symbols



All rights reserved – Subject to revision

**REXROTH HYDRAULICS**

RE 28 204/7.78 CH  
Replaces: RE 28 204/10.77