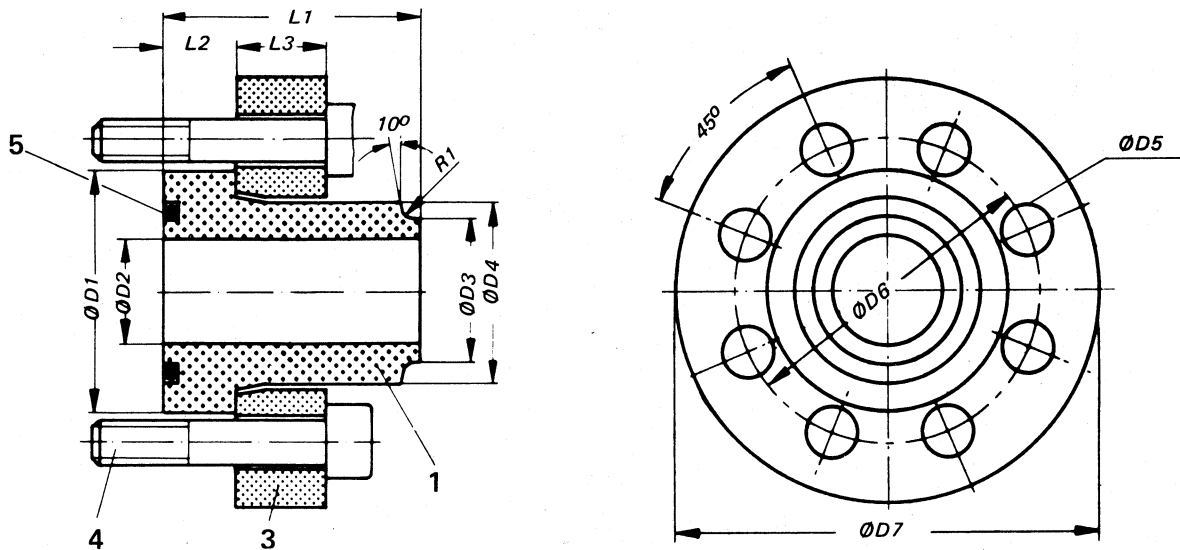


**Flange connection**



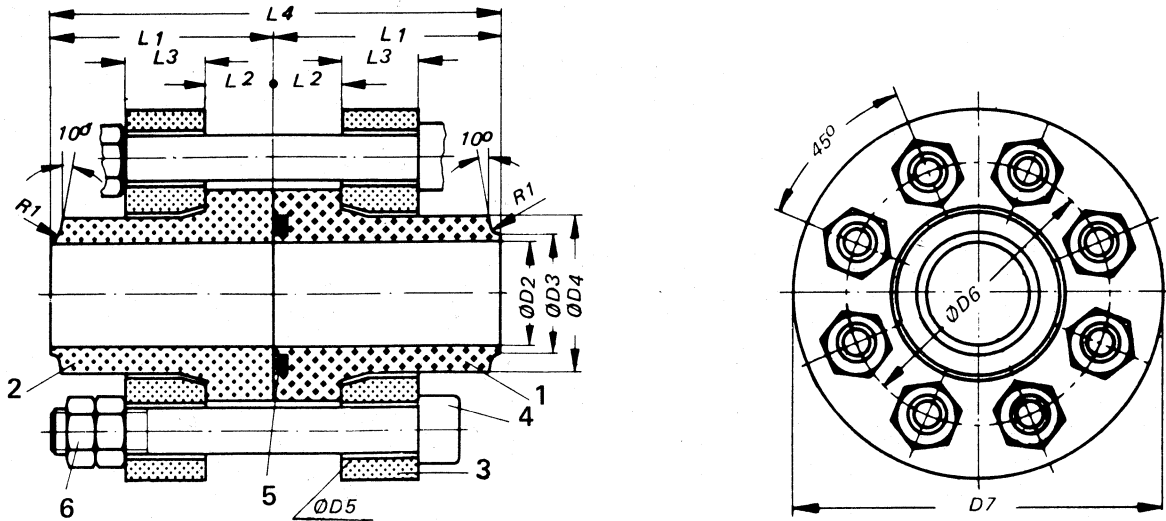
**Pipe material St. 35.4**

Pressure rating	up to 160 bar		up to 320 bar	
	S 125 SV 125 SL 125	S 150 SV 150 SL 150	S 125 SV 125 SL 125	S 150 SV 150 SL 150
D 1	211	250	211	250
D 2	136,3	158,7	118,3	133,5
D 3	141	163	123	138
D 4	168,3	193,7	168,3	193,7
D 5	33	40	33	40
D 6	245	290	245	290
D 7	300	355	300	355
L 1	180	180	180	180
L 2	40	50	45	50
L 3	60	70	60	70
R 1	5	5	5	5

**Part numbers**

Pressure rating	Flange for valve type	Seal material	Connection flange complete (part no.)	Weld neck item 1 (part no.)	Flange item 3 (part no.)	S.H.C.S. DIN 912-8.8 item 4		O-Ring item 5	part no.					
						Md	part no.							
up to 160 bar	S 125 SV 125, SL 125	Perbunan	306023	139965	140577	M30×160	1450 Nm	005985	151,76×5,33	002069				
		Viton	306024							002070				
	S 150 SV 150, SL 150	Perbunan	306037	139969	140578					M36×180	2360 Nm	008330	170,81×5,33	009488
		Viton	306038											009564
up to 320 bar	S 125 SV 125, SL 125	Perbunan	306041	139967	140577	M30×160	1450 Nm	005985	132,72×5,33					002072
		Viton	306042											002073
	S 150 SV 150, SL 150	Perbunan	306043	139971	140578					M36×180	2360 Nm	008330	164,47×5,33	002074
		Viton	306044											002075

Flange connection



Pipe material St. 35.4

Pressure rating	up to 160 bar		up to 320 bar	
	S 125 SV 125 SL 125	S 150 SV 150 SL 150	S 125 SV 125 SL 125	S 150 SV 150 SL 150
D 2	136,3	158,7	118,3	133,5
D 3	141	163	123	138
D 4	168,3	193,7	168,3	193,7
D 5	33	40	33	40
D 6	245	290	245	290
D 7	300	355	300	355
L 1	180	180	180	180
L 2	40	50	45	50
L 3	60	70	60	70
L 4	360	360	360	360
R 1	5	5	5	5

Part Nos.

Pressure rating	Flange for valve type	Seal material	Flange union complete	Weld neck item 1	Weld neck item 2	Flange item 3	S.H.C.S. item 4		O-Ring item 5		Hexagon nut item 6		
							Md	(part no.)	(part no.)	(part no.)			
up to 160 bar	S 125 SV 125 SL 125	Perbunan	306027	139965	139966	140577	M30×260	1450 Nm	003184	151,76×5,33	002069	M30	003758
		Viton	306033								002070		
	S 150 SV 150 SL 150	Perbunan	306029	139969	139970	140578	M36×300	2360 Nm	002066	170,81×5,33	009488	M36	002065
		Viton	306035								009564		
up to 320 bar	S 125 SV 125 SL 125	Perbunan	306028	139967	139968	140577	M30×260	1450 Nm	003184	132,72×5,33	002072	M30	003758
		Viton	306034								002073		
	S 150 SV 150 SL 150	Perbunan	306030	139971	139972	140578	M36×300	2360 Nm	002066	164,47×5,33	002074	M36	002065
		Viton	306036								002075		

All rights reserved – Subject to revision

REXROTH HYDRAULICS