

## Stacked 2-Port Check Valve, size 2 Series SRVA ..

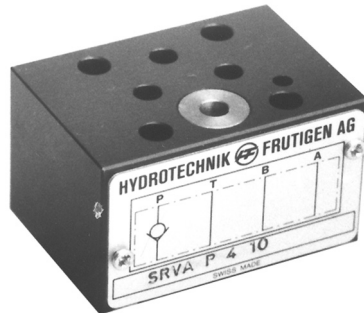
R - 1 .10

Issue 08-97

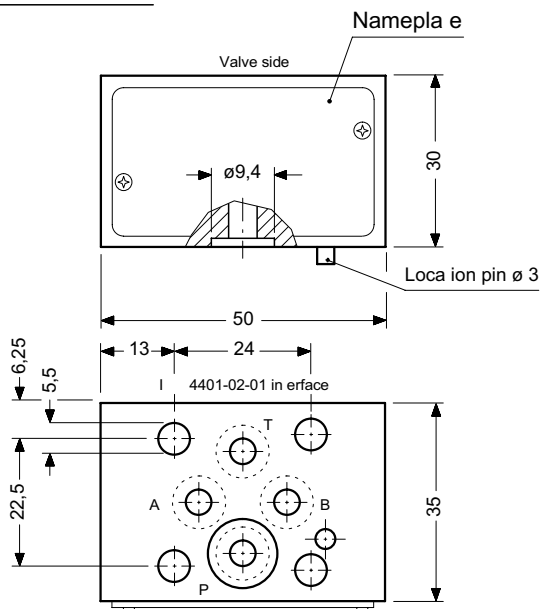
with I 4401-02-01 in interface

- Check valve with guided poppet
- 2 cracking pressures available

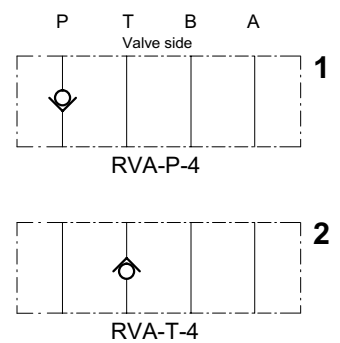
<b>4 mm nominal</b>
<b>p max 20 [bar]</b>
<b>Q max 2 [l/min]</b>



### DIMENSIONS



### SYMBOLS



SUBJECT TO CHANGE WITH NOTIFICATION

### DESCRIPTION

Series RVA- -4 units are sea-type direct check valves which ensure a near zero-leakage closure of the applicable line (P or T).

The  $\varnothing 3$  mm location pin on the rear face of the valve prevents incorrect mounting.

### PRINCIPAL CHARACTERISTICS

Type	direct check slice valve	Cracking pressure	1,0 bar (standard)
Design	guided poppet / seat		2,5 bar
Mounting method	stack mounting	Fluids	hydraulic oils HL and HLP to DIN 51 524
Mounting interface	I 4401-02-01 in interface		other fluids - consult HTF
Mass	0,37 kg	Minimum fluid cleanliness	18/14 oil 4406 / Ce oil RP70H 8/9 oil NA 1638
Mounting guide	unrestricted	Fluid temperature range	-20° +60° C
Flow direction	see symbols	Viscosity range	10 - 300 cP
Operating pressure	250 bar in P, A, B and T 160 bar in T if used with WEDA- -4 directional valve (data see W-12 00)	Flow rate, Q max	25 l/min

R3Z-1589/R3Z-1590



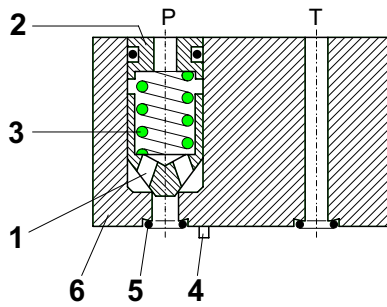
1800-OILSOL  
1800-645765

<https://oilsolutions.com.au/>

[sales@oilsolutions.com.au](mailto:sales@oilsolutions.com.au)

## SCHEMATIC SECTION

showing the relevant ports



## COMPONENTS / SERVICE PARTS

\*) = part of seal kit no. DS-210

▲ = available as service part

It.	Qty.	Description	
1	1	Poppet	∅ 12 x 16
2	1	Cover	∅ 12 x 7,5
3	1	Spring 1,0 bar	0,5 × 7,5 × 25 iG = 14,5
	1	Spring 2,5 bar	0,6 × 7,5 × 26 iG = 13,5
4	1	Roll pin	∅ 3 × 6 DIN 1481
▲	1	Seal kit no. DS-210, comprising *):	
5	4*)	O-ring no. 010	∅ 6,07 × 1,78 N90
6	-	Sandwich body Type ZF-4	30 x 35 x 60
	1	Sandwich body Type ZA-4	30 x 35 x 60

SRVA-T-4  
SRVA-P-4

TO ORDER SERVICE PARTS, STATE:

- complete unit model code from the nameplate, including the design number.
- part description from above list.
- part item number from above list.
- data sheet number, including issue date
- quantity required

## INSTALLATION AND SERVICING

MUST BE CARRIED OUT WITH CARE, AND BY QUALIFIED PERSONNEL ONLY.

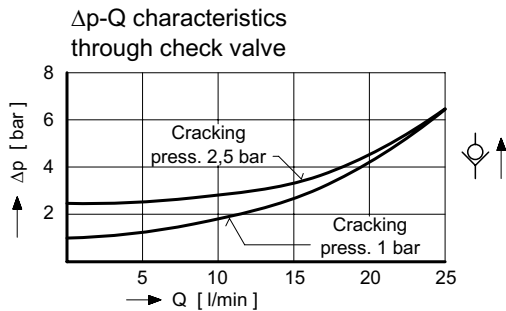
At installation, be sure to mount the valve the correct way up. Do not confuse the flat surface (directional valve side) and the surface with O-ring counterbores (actuator side).

When changing seals, the new seals should be thoroughly oiled or greased before fitting them to the valve.

The spring cover (item 2) is press-fitted in the body and must not be removed.

## PERFORMANCE CHARACTERISTICS

(Oil viscosity 33 cSt)



## MODEL CODE KEY

- S = stacking valve
- RV = direct check valve
- A ... Q = **standard** model per current data sheet
- Z ... R = special features by arrangement
- P = function in P
- T = function in T
- 4 = ISO 4401-02-02 interface
- 10 = cracking pressure 1,0 bar (**standard**)
- 25 = cracking pressure 2,5 bar
- (Blank) = Nitrile seals (**standard**)
- V = Viton seals
- For special seals, contact HTF
- 1 ... 9 = design number (omit when ordering)

Ex.

S RV A - P - 4 - 10 - - - 1

## RELATED DATA SHEETS

i-30 = ISO 4401-02-01 interface