

'BH' Series BALL VALVES

1,000 psi [Pn 69] Rated 6,000 psi [Pn 414] Rated

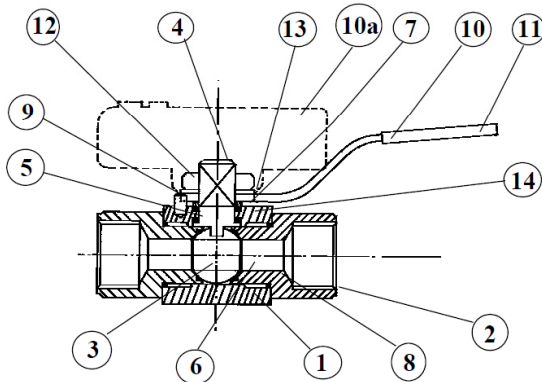
DESIGN FEATURES

- * Robust HIGH pressure design
- * Internally loaded blow-out proof stem
- * Floating ball for positive shut-off
- * LOW operating torque
- * Smooth 1/4 turn action
- * Flexible 3 piece design
- * 316 ss to NACE specification
- * Wide range of end connections
- * Replaceable seats & seals
- * Ease of maintenance
- * Full material traceability
- * Choice of lever or pointer handles
- * Panel mounting option
- * Can be easily actuated
- * Locking kit available

3 Piece



MATERIALS of CONSTRUCTION - 316 Stainless Steel



ITEM	COMPONENT	MATERIAL
1	BODY	316 S 11 *
2	END CONNECTORS	316 S 11 *
3	BALL	316 S 11 *
4	STEM	316 S 11 *
5	STEM SEAL	RTFE
6	SEATS	PTFE / PVDF
7	TOP SEAL	RTFE
8	BODY SEAL	PTFE
9	PIN	STAINLESS STEEL
10	LEVER HANDLE	STAINLESS STEEL
10	POINTER HANDLE	MAZAK 3
11	HANDLE SLEEVE	PVC
12	NUT	A4 ss
13	WASHER	A4 ss
14	SPACER	316 SS

Sample Part Number **BHSP1015NFS-LK**

1/2" NPT Female 316 St. St. Ball Valve, 10mm Bore - 6,000 psi/Pn 414 Rated fitted with Lever handle and Locking Kit.

VALVE PART NUMBER and ORDERING TABLE						
Valve Series	Bore	Size	Threads	* Material	Handle	Options
BHSA 1,000 psi/Pn 69	10	08 - 1/4"	NF - NPT Female NM - NPT Male PF - BSPP Female PM - BSPP Male TF - BSPT Female TM - BSPT Male	A - Ali-Bronze C - C/Steel D - 31803 Duplex H - Hasteloy I - Incoloy J - 6MO M - Monel S - 316 SS T - Titanium U - 32760 S.Duplex	-PH Pointer -TH StSt 'T' Handle	-SR Spring Return -DA Double Acting -EA Electric -PM Panel Mount -LK Locking -ACT Actuator use -EP Ends Pinned
		10 - 3/8"				
		15 - 1/2"				
* BHSP 6,000 psi/Pn414	13 19 25 32 38	20 - 3/4"				
		25 - 1"				
		32 - 1 1/4"				
		40 - 1 1/2"				
		50 - 2"				

All Valves have Stainless Steel Lever Handles as standard.

* Note that valves above 1" are downrated i.e. 1 1/4" is 4,000psi, 1 1/2" & 2" are 3,000psi maximum.

Valve Part Number for FULL BORE - USE BORE size equal to thread size e.g. BHSA1925NFS becomes BHSA2525NFS.

BHseries - 09/09