



OIL SOLUTIONS

PO Box 38
Strathfieldsaye, VIC, 3551
1800 OIL SOL
1800 645 765
sales@oilsolutions.com.au
www.oilsolutions.com.au
"For All Your Hydraulic Needs"

Installation Guide

Mini Steering Unit Type OSPM Steering Column

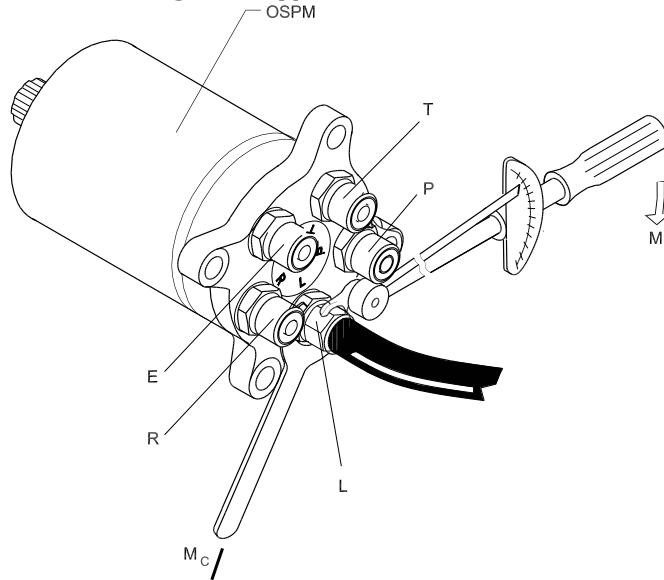
Contents

Chapter 1: Mini Steering Unit Type OSPM.....	5
Chapter 2: Steering Column.....	7

Chapter 1

Mini Steering Unit Type OSPM

Mini Steering Unit Type OSPM

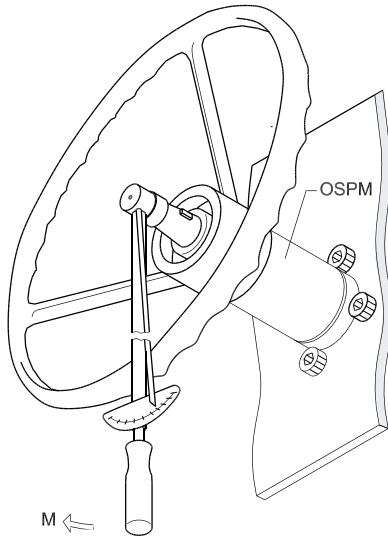


150-623.10

M: Max. tightening torque for hose connections

Connection: O-ring face seal (ORFS)	P, T, E		L, R
	9/16 - 18 UNF	11/16 - 16 UN	9/16 - 18 UNF
	25 N•m [221 lbf•in]	27 N•m [239 lbf•in]	25 N•m [221 lbf•in]

M_c: Fitting bolts must not be turned during assembly of hose



150-621.10

M: Max. tightening torque for steering wheel bolt		
	N•m	lbf•in
OSPM type A shaft (M8 × 1.25)	20	177
OSPM type B shaft (5/8 - 18 UNF)	40	354

Chapter 2

Steering Column

