

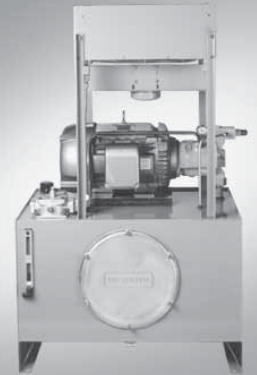
Rexroth Power Packs

RA 51301/03.04

1/12

Variable displacement. Designed for Industrial Applications.

Pressure: Up to 3000 PSI
Flow: 4.2 to 31 GPM
Tank Capacities: 20 to 100 gallon



Features and Benefits

Factory Built Units

This is Rexroth's version of a truly standard power unit, incorporating variable displacement piston pumps and valve options. We also offer a complete line of related power unit accessories, such as heat exchangers, heaters, and temperature and level indicators. These all come supplied with our factory built warranty and international serviceability.

Standard Power Packs

Consideration was taken to supply all standard industrial grade hydraulic components and accessories. This results in ease of maintenance and availability of replacement parts. Rexroth has also incorporated some of its latest technology in its power units. This includes the close coupled motor pump group, which eliminates couplings and bellhousings, and provides for a quieter, more cost efficient assembly.

Standard Features:

- Pressures up to 3000 PSI
- Flow: 4.2 to 31 GPM
- Variable displacement pumps
- Electric motor: 2-50 HP @ 1750 rpm
- System relief valve and gauge
- 20 μ absolute in-tank return filter/filler/breather
- In-tank return down line
- Tank capacities: 20 to 100 gallon

Options:

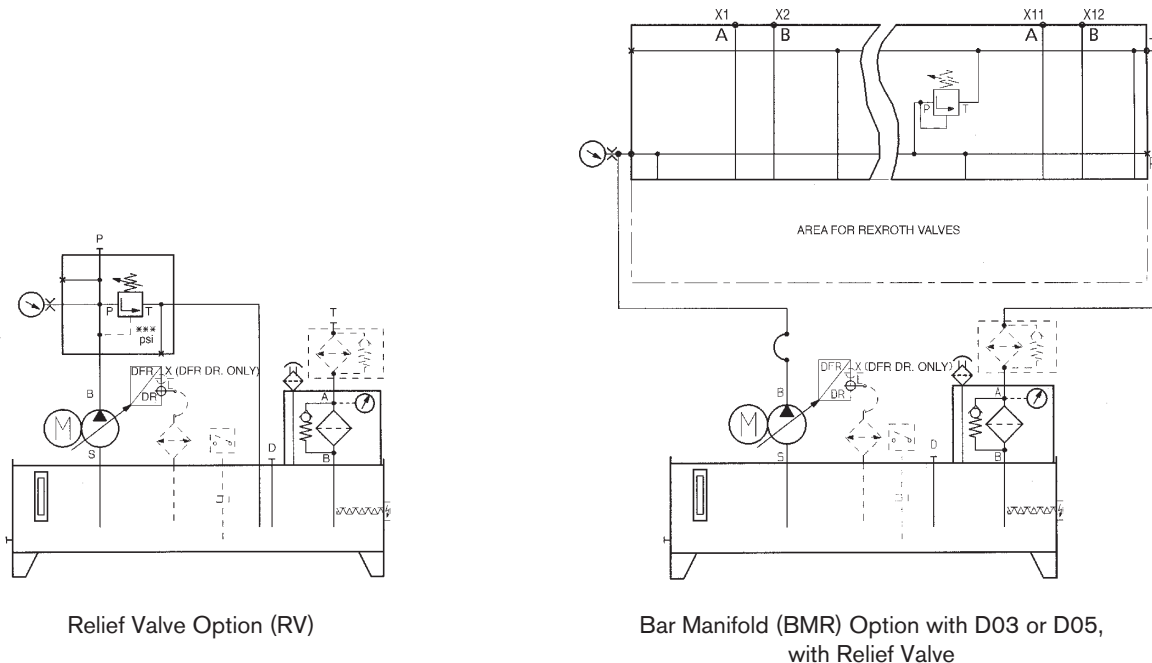
- D03 and D05 bar manifold up to six stations
- Heat exchangers/water regulator valve
- Heater/temperature switch
- Level/temperature switch

Model code

PPV												*
Power Pack Variable												Specify Flow & Pressure
Reservoir Size	= 20 = 40 = 60 = 100											Level/Temp. Switch Options 0 = None LT = Level/Temp. Switch
Pump Size												Heater Options 0 = None 2 = Electric Heater, 3 phase with Temperature Switch 3 = Electric Heater, single phase with Temperature Switch
A10VSO 10 DR (20 Gallon) = A A10VSO 10 DFR (20 Gallon) = B A10VSO 18 DR (20 Gallon) = 1 A10VSO 18 DFR (20 Gallon) = 2 AA10VSO 28 DR (40 Gallon) = 3 AA10VSO 28 DFR (40 Gallon) = 4 AA10VSO 45 DR (60 Gallon) = 5 AA10VSO 45 DFR (60 Gallon) = 6 A10VO 71 DR (100 Gallon) = 7 A10VO 71 DFR (100 Gallon) = 8												Heat Exchanger Options 0 = None 1 = Air/Oil, Leakage Line 2 = Water/Oil, Leakage Line 3 = Water/Oil, Return Line 4 = Air/Oil, 3-phase Motor, Return Line with Temperature Switch
Motor Horsepower	See basic unit table for horsepower (hp based on reservoir & pump size)											Pressure Gauge Option 1 = 0-3000 PSI 2 = 0-5000 PSI
Valve Options												
Relief Valve and Gauge	= RV											
D03 Parallel Bar Manifold, one thru six stations w/ pressure gauge and relief	= 3BMR1-6											
D05 Parallel Bar Manifold, one thru six stations w/ pressure gauge and relief	= 5BMR1-6											

Example: PPV403103BMR1120LT - 10 GPM / 1000 PSI

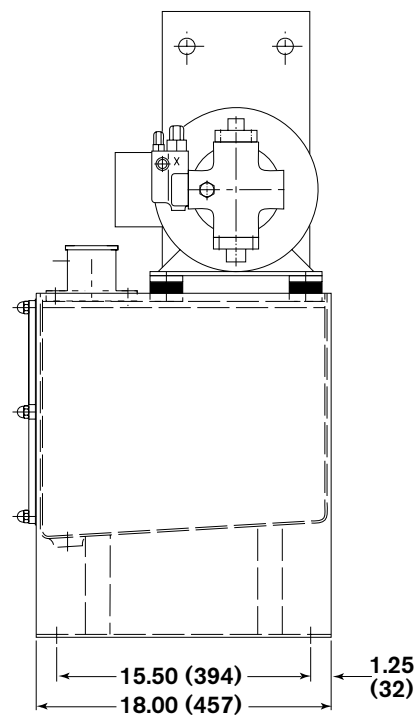
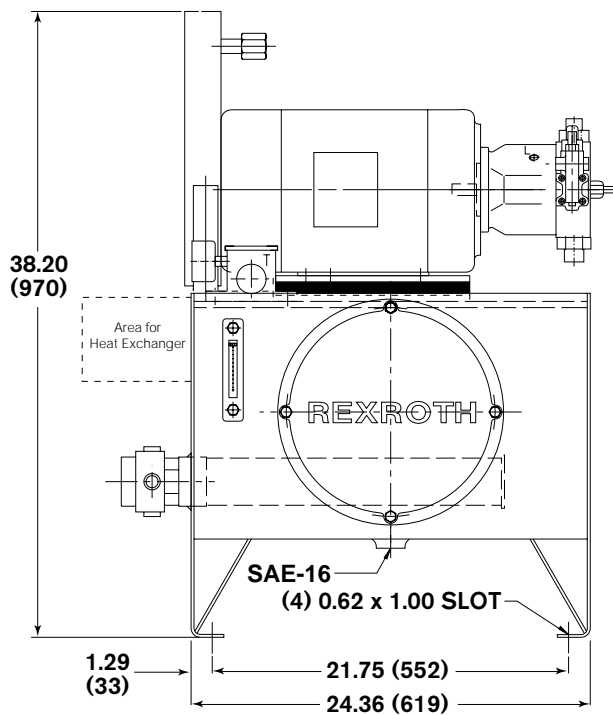
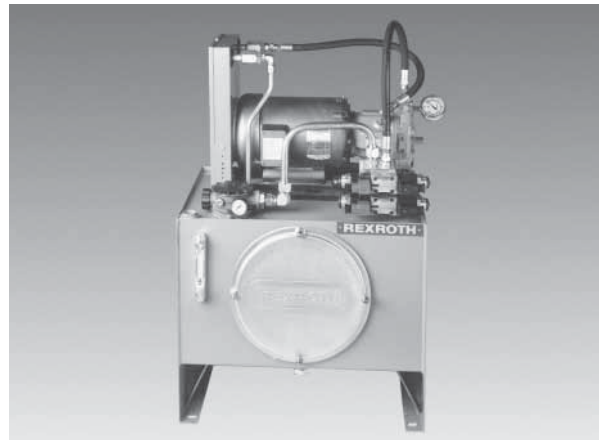
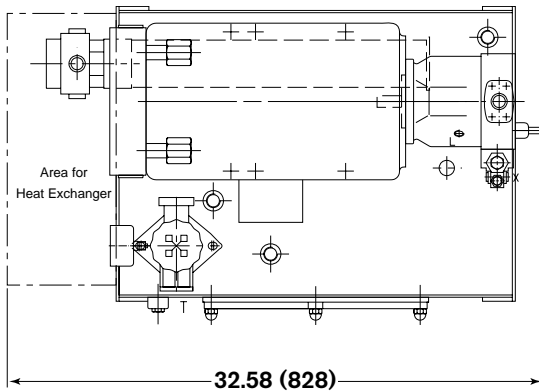
Circuits (see page 10 for Connection Sizes)



Relief Valve Option (RV)

Bar Manifold (BMR) Option with D03 or D05, with Relief Valve

20 Gallon Steel Reservoir: dimensions in inches (millimeters)

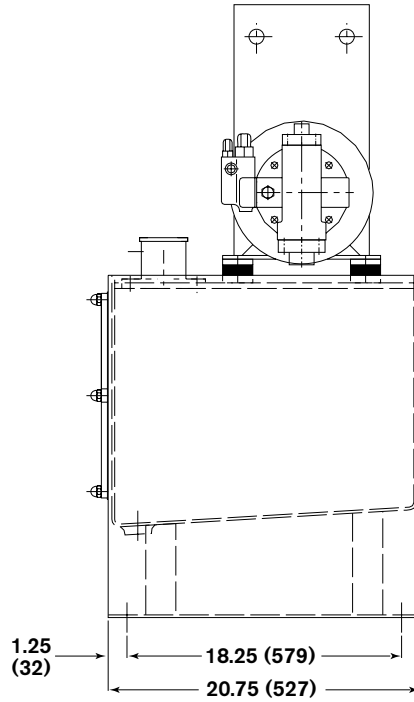
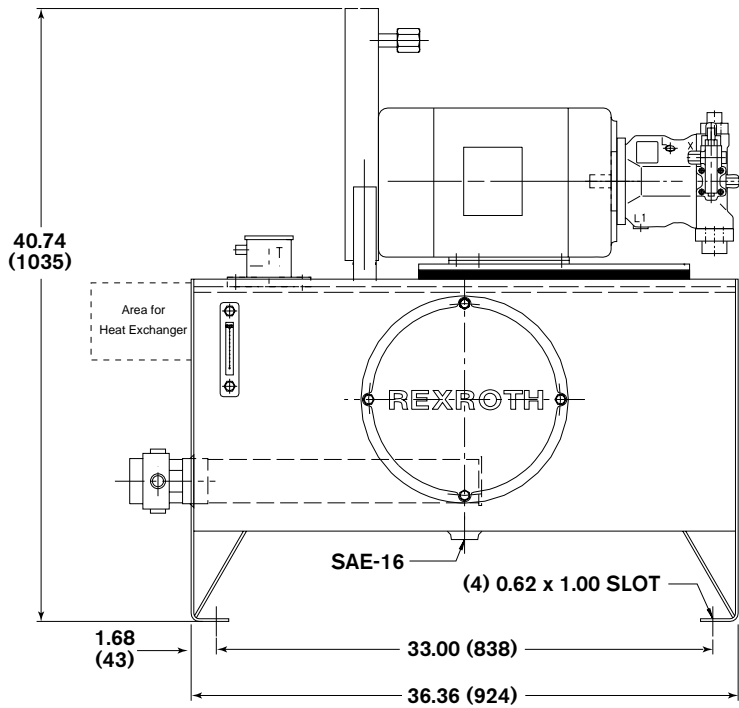
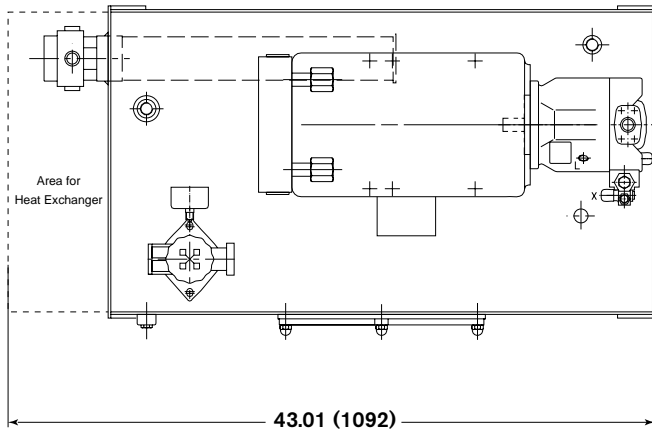


Model Code	Pump Model	Motor Frame	Power* hp (kw)	Displacement in ³ /rev (cm ³ /rev)	Max. Flow GPM (L/min)	Max. Pressure PSI (bar)
PPV20/ ^A / _B /2	A10VSO10	145	2.0 (1.4)	0.64 (10)	4.2 (16)	3000 (200)
PPV20/ ^A / _B /3	A10VSO10	182	3.0 (2.2)	0.64 (10)	4.2 (16)	3000 (200)
PPV20/ ^A / _B /5	A10VSO10	184	5.0 (3.7)	0.64 (10)	4.2 (16)	3000 (200)
PPV20/ ^A / _B /7.5	A10VSO10	213	7.5 (5.5)	0.64 (10)	4.2 (16)	3000 (200)
PPV20/ ¹ / ₂ /10	A10VSO10	215	10.0 (7.4)	0.64 (10)	4.2 (16)	3000 (200)
PPV20/ ¹ / ₂ /2	A10VSO18	145	2.0 (1.4)	1.10 (18)	8.0 (30)	3000 (200)
PPV20/ ¹ / ₂ /3	A10VSO18	182	3.0 (2.2)	1.10 (18)	8.0 (30)	3000 (200)
PPV20/ ¹ / ₂ /5	A10VSO18	184	5.0 (3.7)	1.10 (18)	8.0 (30)	3000 (200)
PPV20/ ¹ / ₂ /7.5	A10VSO18	213	7.5 (5.5)	1.10 (18)	8.0 (30)	3000 (200)
PPV20/ ¹ / ₂ /10	A10VSO18	215	10.0 (7.4)	1.10 (18)	8.0 (30)	3000 (200)

Note: Flows and pressures are factory set according to customer specifications

* – Motors are closed-coupled, 3 phase, 1750, 230/460 volt, 1.15 S.F.

40 Gallon Steel Reservoir: dimensions in inches (millimeters)

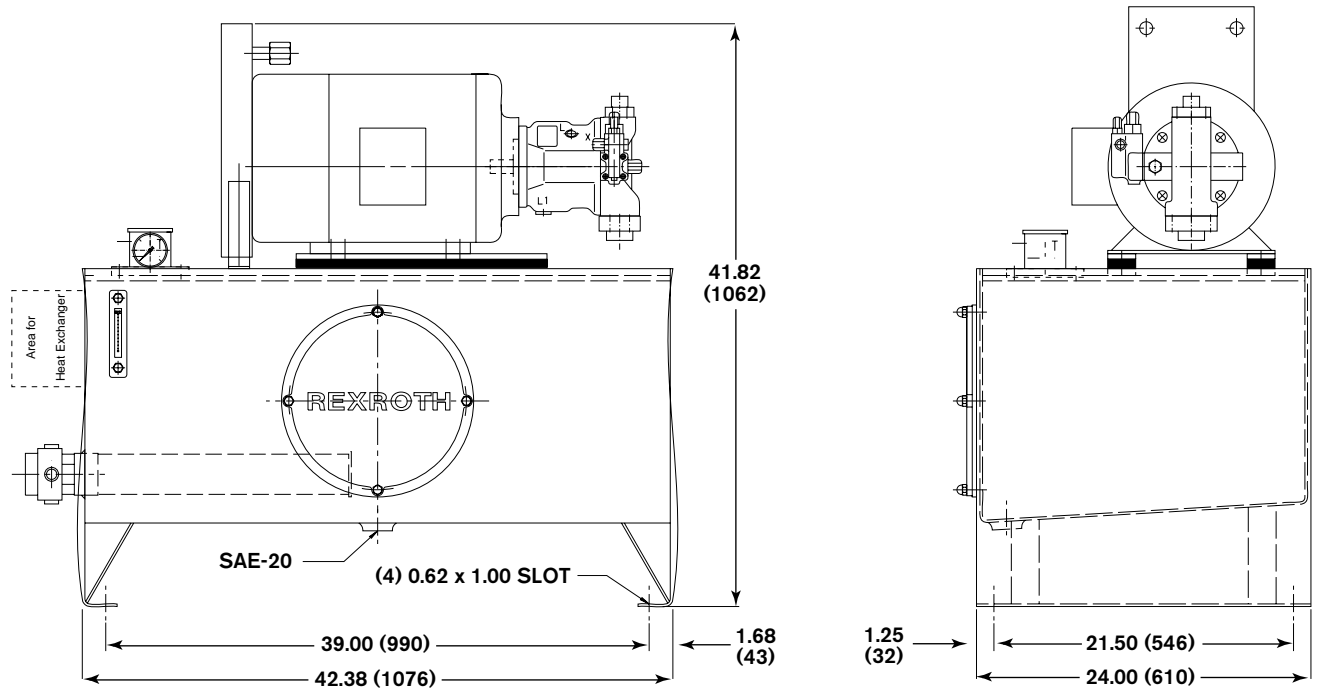
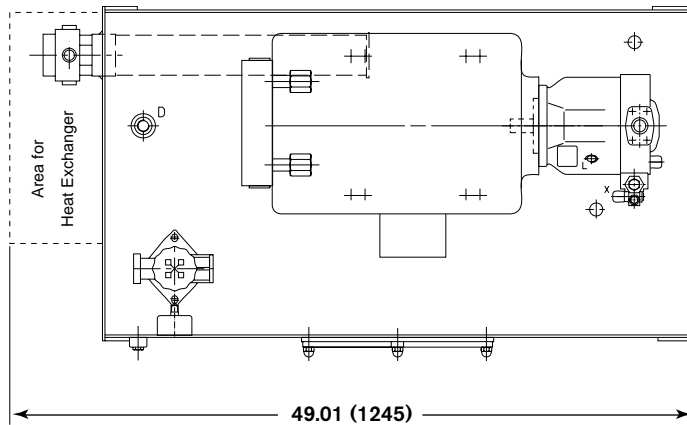


Model Code	Pump Model	Motor Frame	Power* hp (kw)	Displacement in ³ /rev (cm ³ /rev)	Max. Flow GPM (L/min)	Max. Pressure PSI (bar)
PPV40 ³ / ₄ /5	AA10VSO28	213	5.0 (3.7)	1.7 (28)	12.0 (45)	3000 (200)
PPV40 ³ / ₄ /7.5	AA10VSO28	213	7.5 (5.5)	1.7 (28)	12.0 (45)	3000 (200)
PPV40 ³ / ₄ /10	AA10VSO28	215	10.0 (7.4)	1.7 (28)	12.0 (45)	3000 (200)
PPV40 ³ / ₄ /15	AA10VSO28	254	15.0 (11.1)	1.7 (28)	12.0 (45)	3000 (200)
PPV40 ³ / ₄ /20	AA10VSO28	256	20.0 (14.9)	1.7 (28)	12.0 (45)	3000 (200)
PPV40 ³ / ₄ /25	A10VO28	284	25.0 (18.6)	1.7 (28)	12.0 (45)	3000 (200)

Note: Flows and pressures are factory set according to customer specifications

* – Motors are closed-coupled, 3 phase, 1750, 230/460 volt, 1.15 S.F.

60 Gallon Steel Reservoir: dimensions in inches (millimeters)

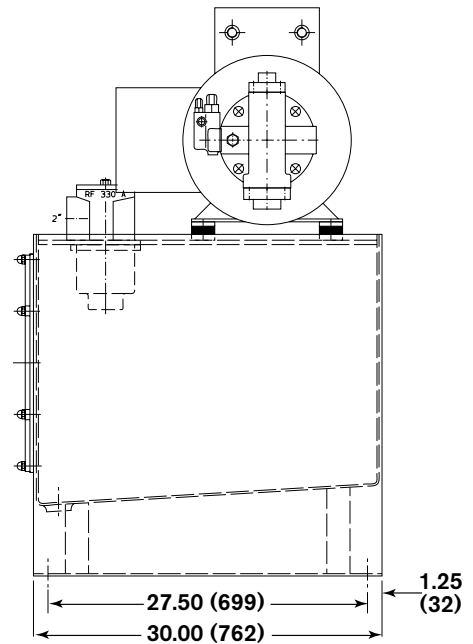
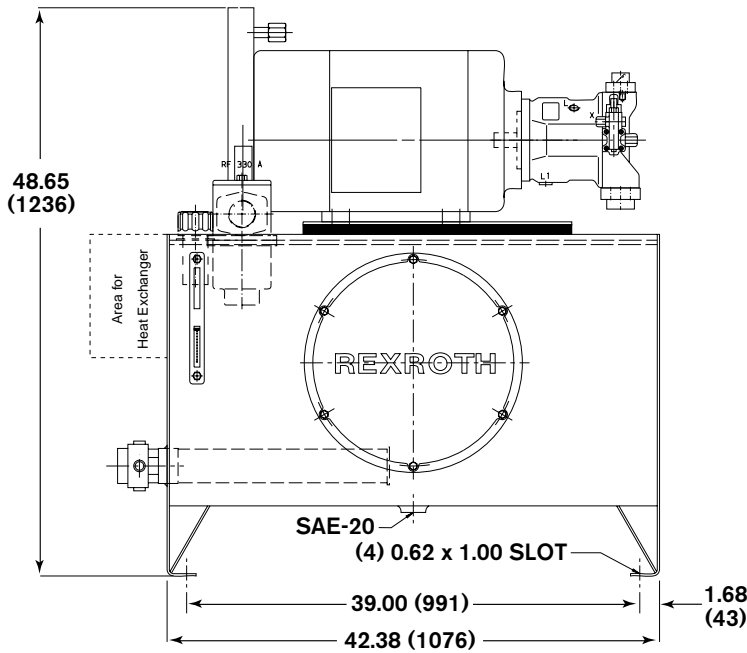
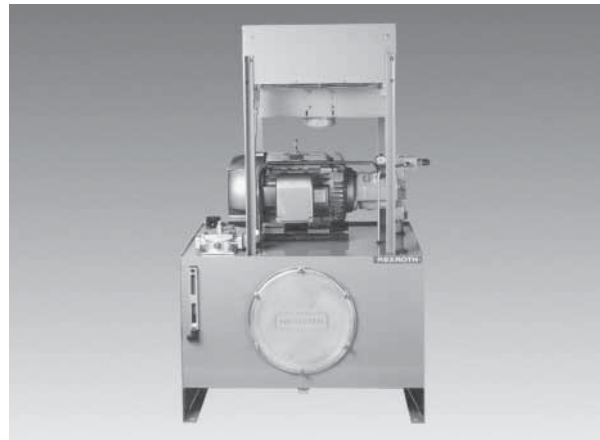
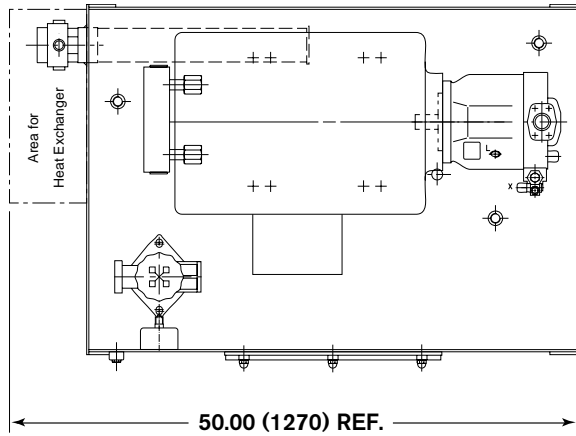


Model Code	Pump Model	Motor Frame	Power* hp (kw)	Displacement in ³ /rev (cm ³ /rev)	Max. Flow GPM (L/min)	Max. Pressure PSI (bar)
PPV60/ ⁵ / ₆ /7.5	AA10VSO45	213	7.5 (5.5)	2.7 (45)	19.5 (74)	3000 (200)
PPV60/ ⁵ / ₆ /10	AA10VSO45	213	10.0 (7.4)	2.7 (45)	19.5 (74)	3000 (200)
PPV60/ ⁵ / ₆ /15	AA10VSO45	254	15.0 (11.1)	2.7 (45)	19.5 (74)	3000 (200)
PPV60/ ⁵ / ₆ /20	AA10VSO45	256	20.0 (14.9)	2.7 (45)	19.5 (74)	3000 (200)
PPV60/ ⁵ / ₆ /25	A10VO45	284	25.0 (18.6)	2.7 (45)	19.5 (74)	3000 (200)
PPV60/ ⁵ / ₆ /30	A10VO45	286	30.0 (22.4)	2.7 (45)	19.5 (74)	3000 (200)

Note: Flows and pressures are factory set according to customer specifications

* – Motors are closed-coupled, 3 phase, 1750, 230/460 volt, 1.15 S.F.

100 Gallon Steel Reservoir: dimensions in inches (millimeters)



Model Code	Pump Model	Motor Frame	Power* hp (kw)	Displacement in ³ /rev (cm ³ /rev)	Max. Flow GPM (L/min)	Max. Pressure PSI (bar)
PPV100/7/8/25	A10VO71	284	25.0 (11.1)	4.3 (71)	31.0 (117)	3000 (200)
PPV100/7/8/30	A10VO71	286	30.0 (14.9)	4.3 (71)	31.0 (117)	3000 (200)
PPV100/7/8/40	A10VO71	324	40.0 (18.6)	4.3 (71)	31.0 (117)	3000 (200)
PPV100/7/8/50	A10VO71	326	50.0 (22.4)	4.3 (71)	31.0 (117)	3000 (200)

Note: Flows and pressures are factory set according to customer specifications

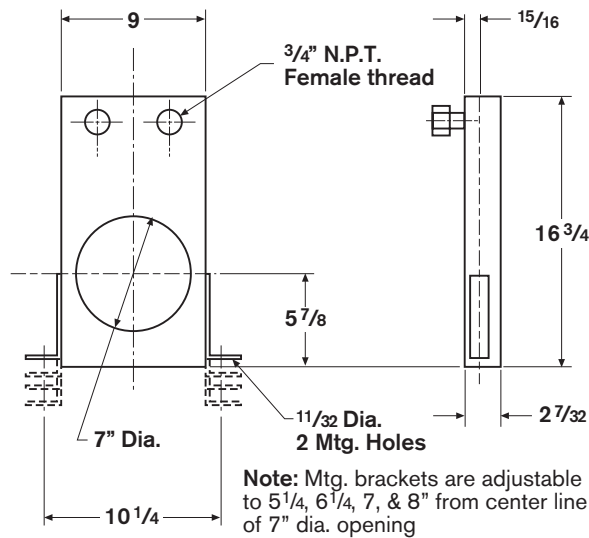
* – Motors are closed-coupled, 3 phase, 1750, 230/460 volt, 1.15 S.F.

Power Pack Accessory List

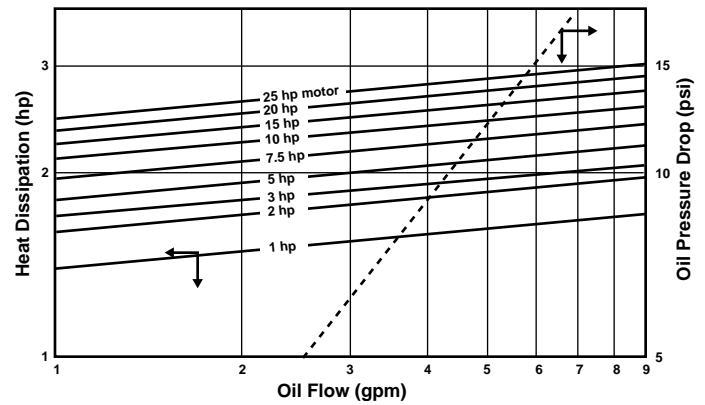
	Option	20 Gallon	40 Gallon	60 Gallon	100 Gallon
Heat Exchangers / Water Regulator Valve / Temp. Switch	1	R978808140 = Exchanger	R978808140 = Exchanger	R978808140 = Exchanger	R978808140 = Exchanger
	2	R978808105 = H2O Valve R978884023 = Exchanger	R978808105 = H2O Valve R978884023 = Exchanger	R978808105 = H2O Valve R978884023 = Exchanger	R978808105 = H2O Valve R978888744 = Exchanger
	3	R978808105 = H2O Valve R978888727 = Exchanger	R978808106 = H2O Valve R978888738 = Exchanger	R978808106 = H2O Valve R978888738 = Exchanger	R978808107 = H2O Valve R978888744 = Exchanger
	4	R978881427 = Temp. Switch R978907474 = Exchanger	R978881427 = Temp. Switch R978907475 = Exchanger	R978881427 = Temp. Switch R978907476 = Exchanger	R978881427 = Temp. Switch R978907477 = Exchanger
Electric Heaters Temperature Switch	2	R978881427 = Temp. Switch R978805726 = Heater 3PH, 1 kw, 480 Volt	R978881427 = Temp. Switch R978805726 = Heater 3PH, 1 kw, 480 Volt	R978881427 = Temp. Switch R978805727 = Heater 3PH, 2 kw, 480 Volt	R978881427 = Temp. Switch R978805728 = Heater 3PH, 3 kw, 480 Volt
	3	R978881427 = Temp. Switch R978802712 = Heater Single PH, 1 kw, 120 Volt	R978881427 = Temp. Switch R978802712 = Heater Single PH, 1 kw, 120 Volt	R978881427 = Temp. Switch R978802714 = Heater Single PH, 1 kw, 120 Volt	R978881427 = Temp. Switch R978802716 = Heater Single PH, 1 kw, 120 Volt
	**LT	R978903431	R978903431	R978903432	R978903432

** Temperature Switch, fixed setting at 135°F, Level Switch, non-adjustable, set at low level alarm.

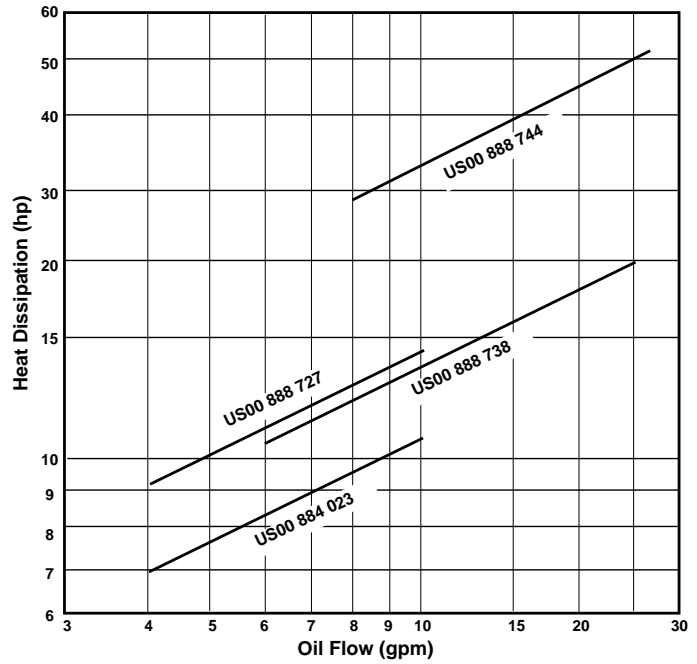
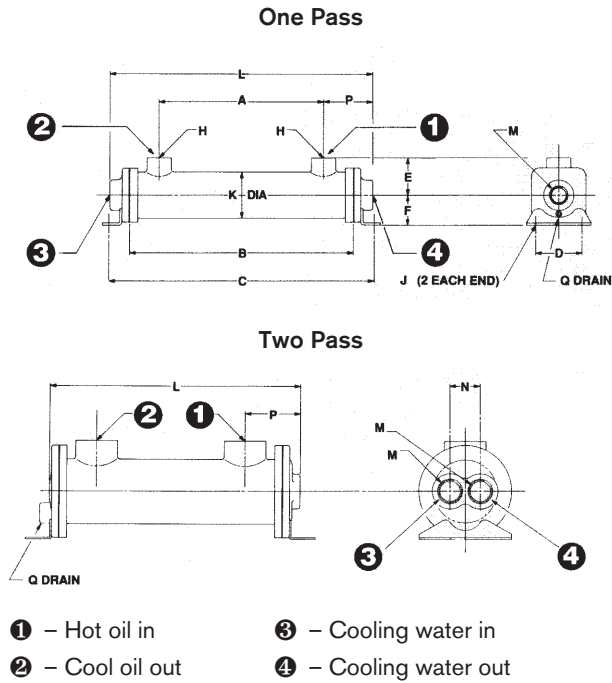
Heat Exchanger – Option 1 (R978808140)



Material: Aluminum, Cabinet Steel



Heat Exchanger – Options 2 and 3

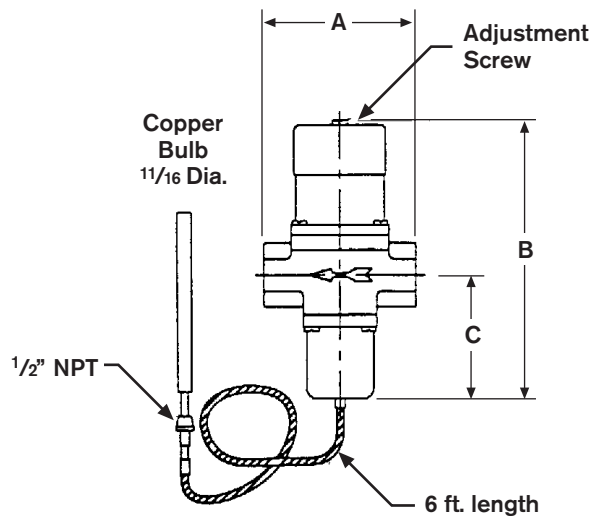


Common dimensions: dimensions in inches (millimeters)

Rexroth Part Number	A	B	C	D	E	F	H SAE
R978884023	3.85 (98)	8.19 (208)	10.44 (262)	2.5 (64)	2.28 (57)	1.62 (41)	#12 1 1/16 - 12 UN-2B
R978888727	7.85 (199)	12.19 (310)	14.14 (363)	2.5 (64)	2.28 (57)	1.62 (41)	#12 1 1/16 - 12 UN-2B
R978888738	3.00 (76)	8.19 (208)	10.71 (272)	3.0 (76)	2.84 (72)	2.59 (66)	#24 1 7/8 - 12 UN-2B
R978888744	6.18 (157)	12.02 (305)	15.45 (392)	4.0 (102)	3.12 (79)	4.0 (102)	#32 2 1/2 - 12 UN-2B

Rexroth Part Number	J	K Dia.	L	M NPT	N	P	Q NPT
R978884023	0.34 (9) x 0.62 (16)	2.55 (65)	10.38 (263)	0.75	N/A	3.26 (82)	2 (1/4")
R978888727	0.34 (9) x 0.62 (16)	2.55 (65)	14.38 (365)	0.75	N/A	3.26 (82)	2 (1/4")
R978888738	0.44 (11) x 0.75 (19)	3.52 (89)	9.69 (246)	1.00	1.62 (41)	3.46 (87)	1/4"
R978888744	0.44 (11) x 1.00 (25)	5.05 (128)	14.33 (363)	1.50	2.38 (60)	4.45 (113)	1/4"

Water Regulating Valve



Size (NPT)	Rexroth Part Number	A	B	C
3/4"	R978808105	3.56	7.66	3.80
1"	R978808106	4.84	10.70	4.72
1-1/4"	R978808107	4.86	11.08	4.91

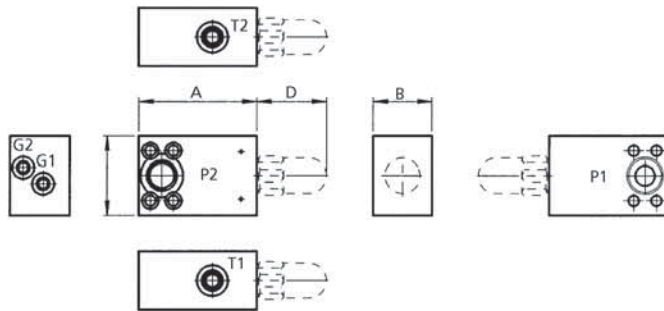
Max. Water Flow:

Size	GPM
3/4"	40
1"	55
1-1/4"	75

Temperature:

Size	Range Opening Pt.
3/4" - 1-1/4"	75° - 135°F

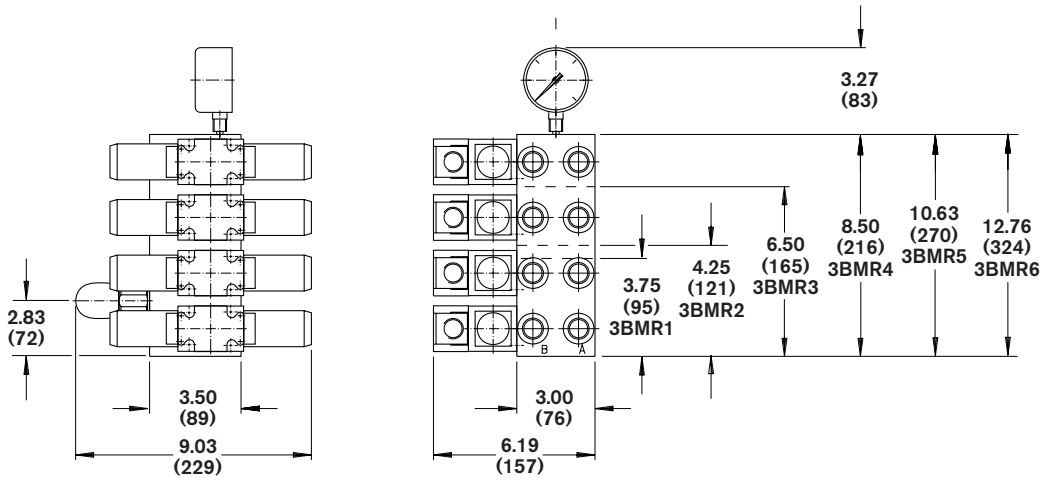
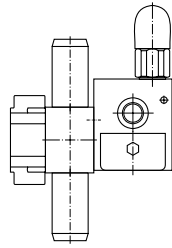
Relief Valve Option – RV



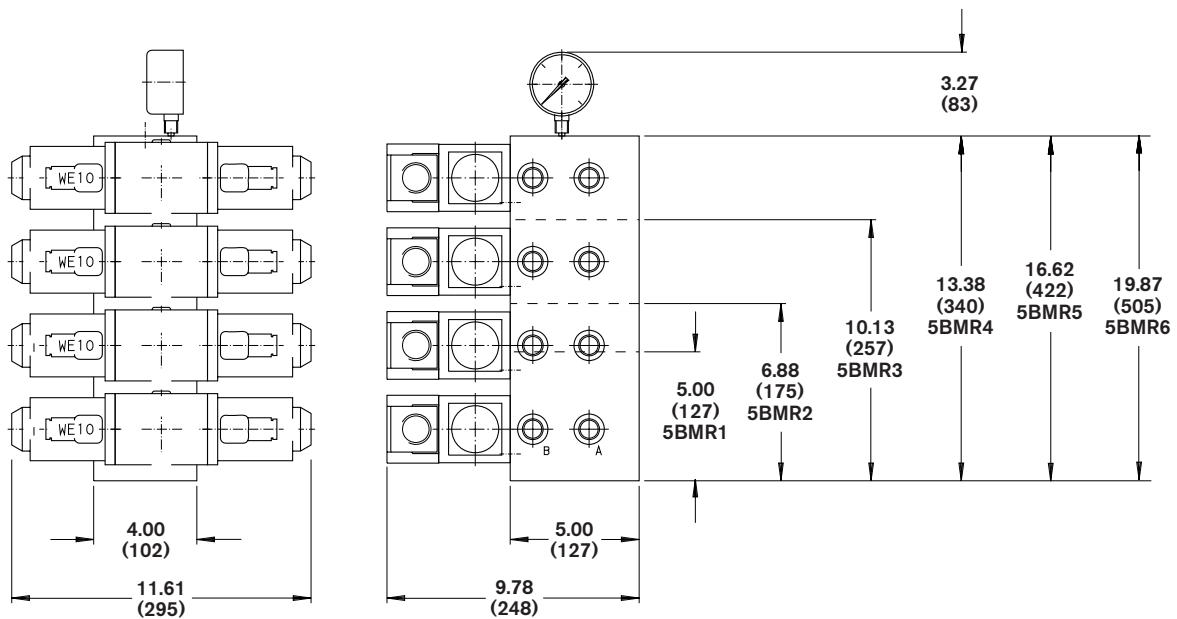
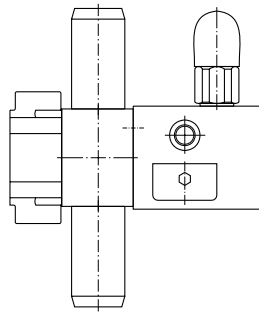
Part No.	P1	P2	T1,T2	G1, G2	A	B	C	D	Relief Valve Size
R978904345 Relief Block	3/4" Code 61	-12 SAE (1-1/16-12)	-8 SAE (3/4-16)	-4 SAE (7/16-20)	4.50 (115)	2.25 (57)	3.00 (76)	2.68 (68)	DBD10 R900424149
R978904347 Relief Block	1" Code 61	-16 SAE (1-5/16-12)	-12 SAE (1-1/16-16)	-4 SAE (7/16-20)	4.50 (115)	2.25 (57)	3.00 (76)	2.68 (68)	DBD10 R900424149

Bar Manifold Options: dimensions in inches (millimeters)

3BMR

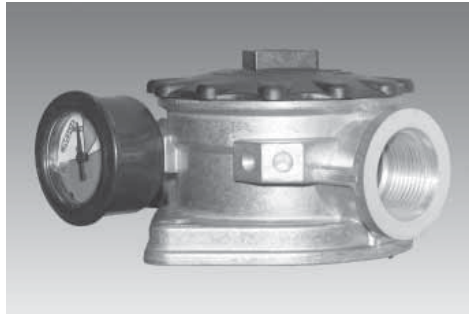


5BMR



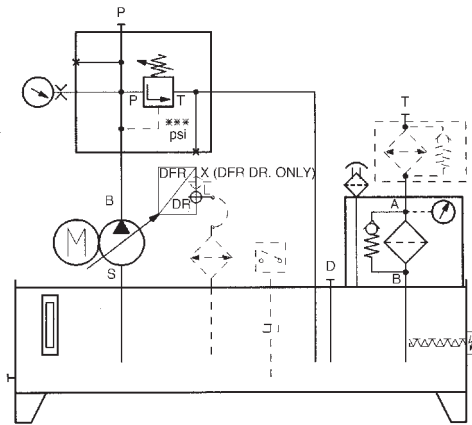
In-Tank Return Line Filter Replacement Cartridge

PPV 20 = P/N R978008660
 PPV 40, 60, & 100 = P/N R978008659



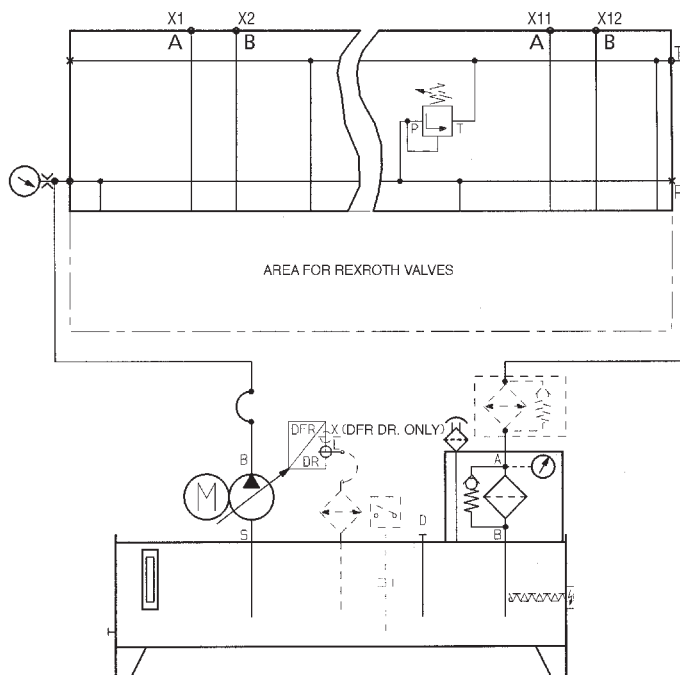
Customer Connection Port Sizes

RV Option (Relief Valve w/Gauge)



PPV 20	P = 1-1/16-12 (SAE-12) T = 1-1/16-12 (SAE-12) D = 3/4-16 (SAE-8)
PPV 40	P = 1-1/16-12 (SAE-12) T = 1-5/16-12 (SAE 16) D = 1-1/16-12 (SAE-12)
PPV 60	P = 1-5/16-12 (SAE-16) T = 1-5/16-12 (SAE-16) D = 1-1/16-12 (SAE-12)
PPV 100	P = 1-5/16-12 (SAE-16) T = 1-7/8-12 (SAE 24) D = 1-5/16-16 (SAE-16)

3BMR & 5BMR Options (D03 or D05 Parallel Bar Manifold w/Relief Valve & Gauge)



3BMR1-6	X1 - X12 = 3/4-16 (SAE-8)
5BMR1-6	X1 - X12 = 1-1/16-12 (SAE-12)

Notes

Bosch Rexroth Corp.
Industrial Hydraulics
2315 City Line Road
Bethlehem, PA 18017-2131
USA
Telephone (610) 684-8300
Facsimile (610) 694-8467
www.boschrexroth-us.com

© This document, as well as the data, specifications and other information set forth in it, are the exclusive property of Bosch Rexroth Corporation. Without their consent it may not be reproduced or given to third parties.

The data specified above only serve to describe the product. No statements concerning a certain condition or suitability for a certain application can be derived from our information. The information given does not release the user from the obligation of own judgment and verification. It must be remembered that our products are subject to a natural process of wear and aging.