



**BREVINI<sup>®</sup>**

*Motion Systems*



1800-OILSOL  
1800-645765

<https://oilsolutions.com.au/>

[sales@oilsolutions.com.au](mailto:sales@oilsolutions.com.au)

## MW HYDRAULIC POWER UNIT

**Technical Catalogue**

January  
**2018**

*web edition*



© 2018 Dana Brevini S.p.A. All rights reserved. Hydr-App, SAM Hydraulik, Aron, Brevini Hydraulics, BPE Electronics, VPS Brevini, OT Oiltechnology, logos are trademarks or are registered trademarks of Dana Brevini S.p.A. or other companies of the Dana Group in Italy and other countries.

The technical features supplied in this catalogue are non binding and no legal action can be taken against such material. Dana Brevini will not be held responsible for information and specifications which may lead to error or incorrect interpretations. Given the continuous technical research aimed at improved technical features of our products, Dana Brevini reserves the right to make change that are considered appropriate without any prior notice. This catalogue cannot be reproduced (in whole or in part) without the prior written consent of Dana Brevini. This catalogue supersedes all previous ones.

Use of the products in this catalogue must comply with the operating limits given in the technical specifications. The type of application and operating conditions must be assessed as normal or in malfunction in order to avoid endangering the safety of people and/or items.

## ORDERING CODE

MW\* - A\* / A\* - P\* - M\*\* - T\*\* - F\*

Hydraulic power unit type		Page
<b>MW</b>	Standard	2
<b>MW1</b>	With cylinder differential volume drain and manual override	3
<b>MW2</b>	With cylinder differential volume drain	4

<b>A</b>	Pressure relief valve on <b>P1</b> (screw adjustment)
----------	---

Setting range		Page
<b>A</b>	25 ÷ 80 bar	2
<b>B</b>	75 ÷ 220 bar	
<b>C</b>	5 ÷ 30 bar	

<b>A</b>	Pressure relief valve on <b>P2</b> (screw adjustment)
----------	---

Setting range		Page
<b>A</b>	25 ÷ 80 bar	2
<b>B</b>	75 ÷ 220 bar	
<b>C</b>	5 ÷ 30 bar	

<b>P</b>	Reverse pump PHV 0.5
----------	----------------------

Nominal displacement		Page
<b>A</b>	0.25 cc/rev	5
<b>B</b>	0.45 cc/rev	
<b>C</b>	0.56 cc/rev	
<b>D</b>	0.75 cc/rev	
<b>J</b>	0.92 cc/rev	
<b>Z</b>	1.26 cc/rev	

Mounting type		Page
<b>0</b>	Verticale without tank	11 12 13 14
<b>1</b>	Horizontal	
<b>2</b>	Vertical	
<b>3</b>		
<b>4</b>		
<b>5</b>		

<b>F</b>	Mounting position tank
----------	------------------------

Tank type		Page
<b>K05</b>	0.5 liters	11 12 12 13 13
<b>K1</b>	1 liter	
<b>H1</b>	1 liter	
<b>Q1</b>	1 liter	
<b>Q2</b>	2 liters	
<b>01</b>	1 liter	14
<b>02</b>	2 liters	
<b>03</b>	3 liters	
<b>05</b>	5 liters	
<b>06</b>	6 liters	
<b>08</b>	8 liters	

<b>T</b>	Tank
----------	------

<b>0-5-6-7-8</b>	Mounting position motors	Pages 8-6-10
------------------	--------------------------	--------------

DC motors		Page	AC motors		Page
<b>GA</b>	12V CC - 0.35 kW	6	<b>R</b>	Size 63	10
<b>GB</b>	24V CC - 0.40 kW	6	<b>L</b>	Size 71	10
<b>HF</b>	12V CC - 0.50 kW	7	<b>M</b>	Size 80	10
<b>HE</b>	24V CC - 0.50 kW	7			
<b>GC</b>	12V CC - 0.70 kW	8			
<b>GD</b>	24V CC - 0.80 kW	8			
<b>GU</b>	12V CC - 0.80 kW	9			
<b>GZ</b>	24V CC - 0.80 kW	9			

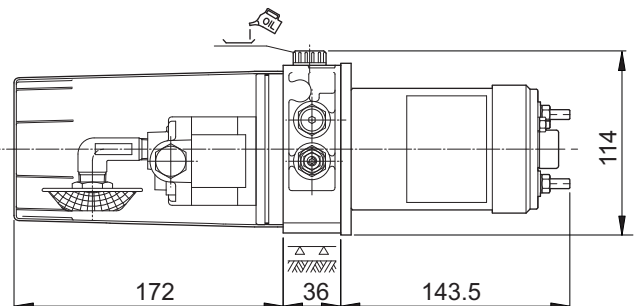
<b>M</b>	DC/AC motors
----------	--------------

## ORDERING CODE EXAMPLE

**MW- AA/AA- PB- MGB5- TK1-F1**

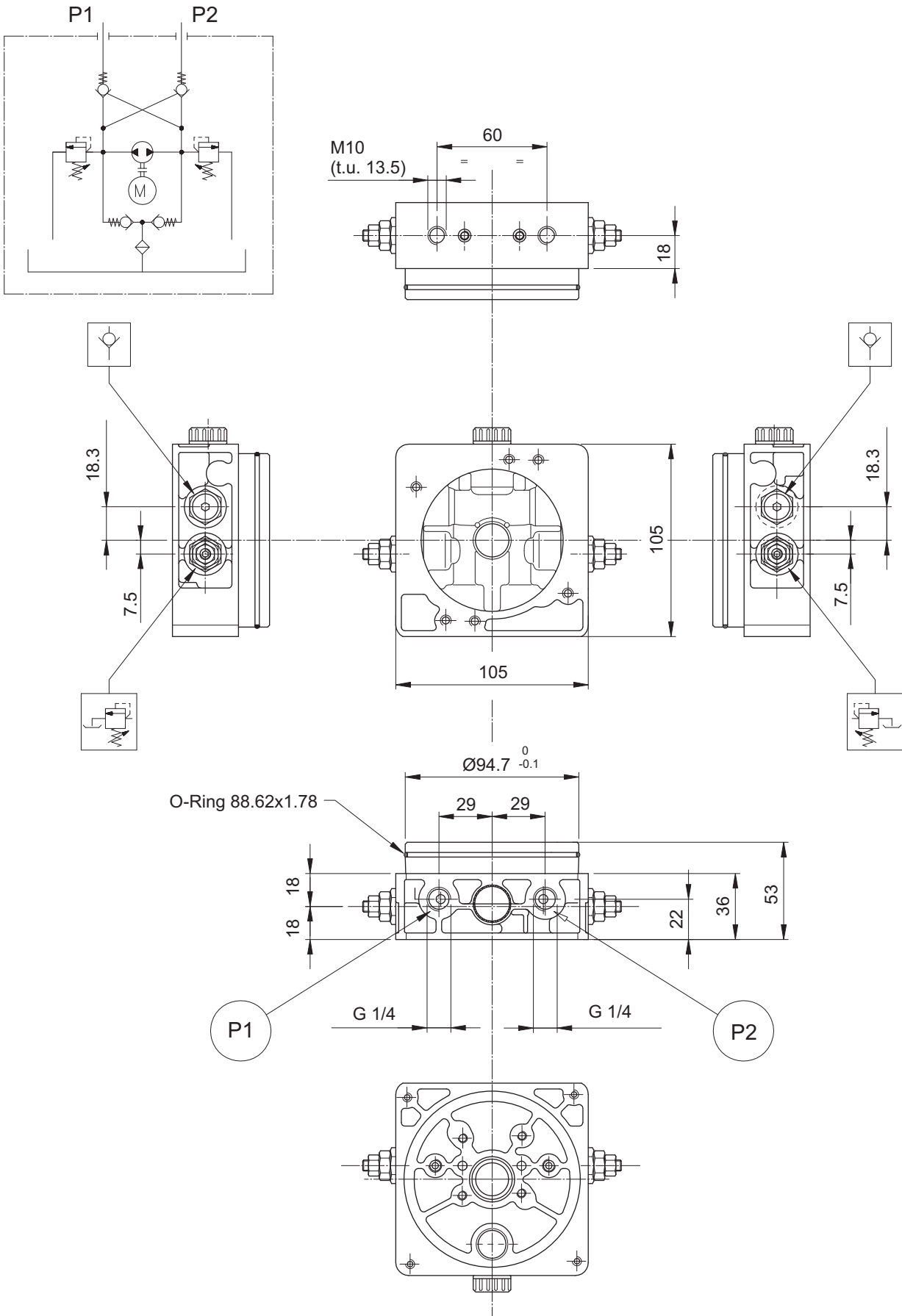
Hydraulic power unit type MW reversible type, with pressure relief valve on P1, setting 25 to 80 bar with adjustable screw, pressure relief valve on P2 setting 25 to 80 bar with adjustable screw, pump a 0.45 cc/rev, DC motor 24 Volt 0.4 kW in standard mounting position, standard 1-liter fuel tank mounted horizontally.

## STANDARD VERSION OVERALL DIMENSIONS



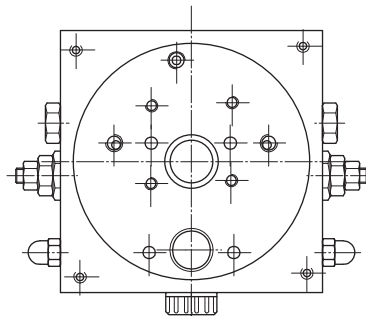
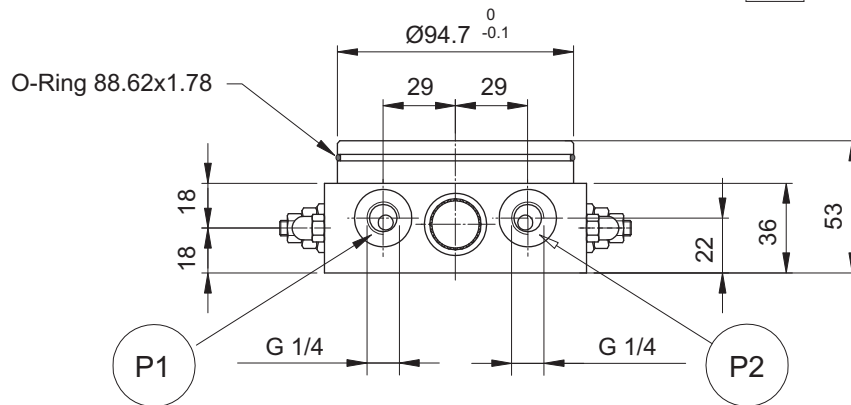
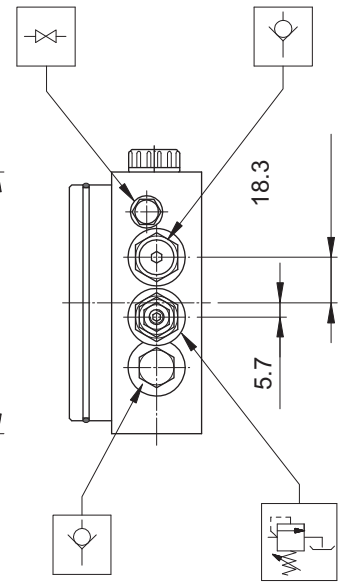
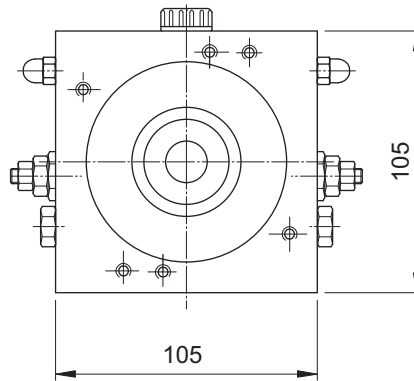
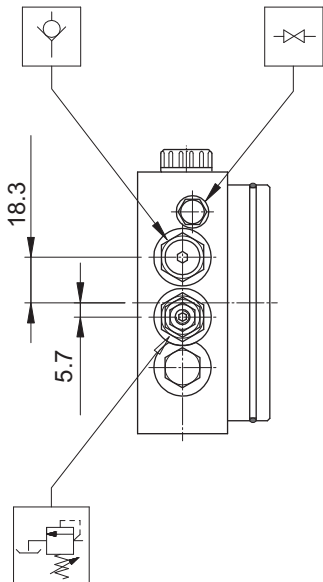
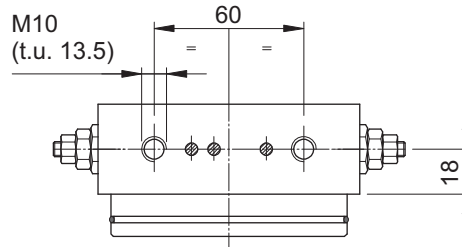
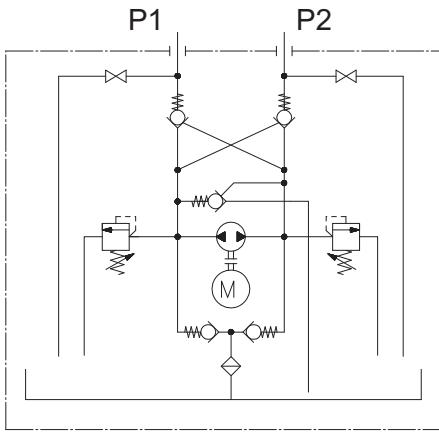
# MW HYDRAULIC POWER UNIT

## STANDARD VERSION



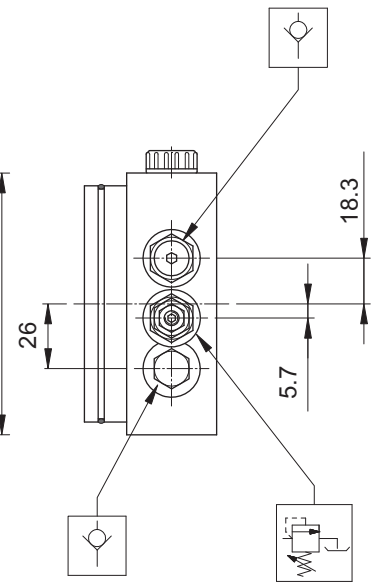
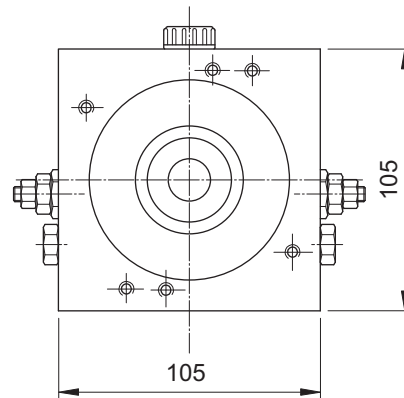
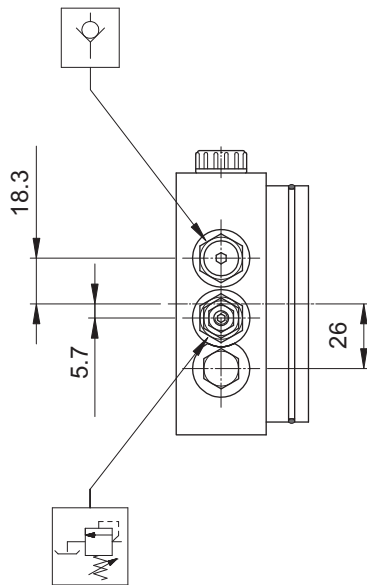
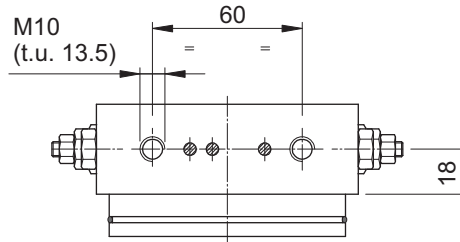
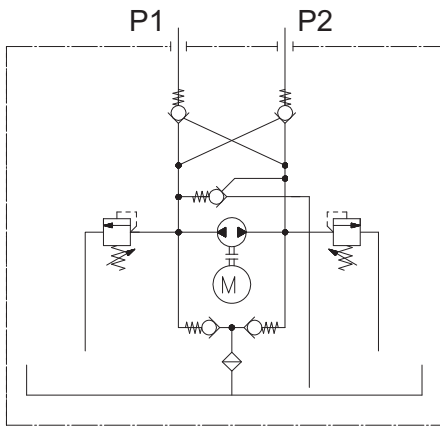
# MW1 HYDRAULIC POWER UNIT

WITH CYLINDER DIFFERENTIAL VOLUME DRAIN AND MANUAL OVERRIDE

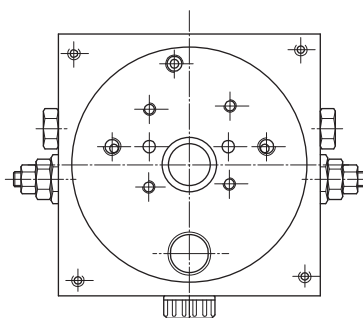
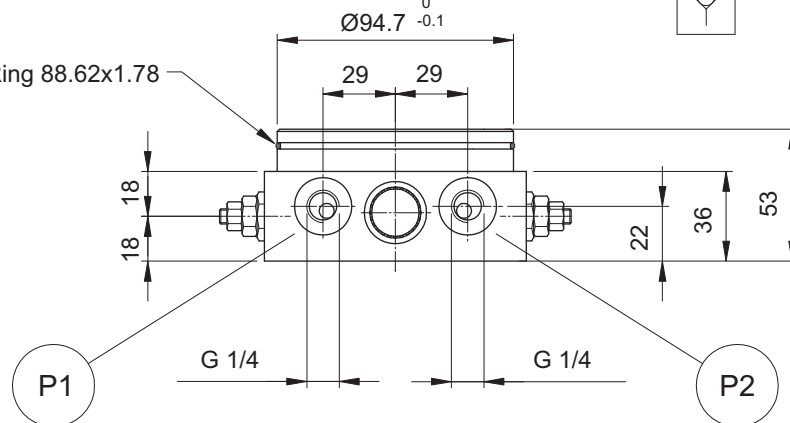


# MW2 HYDRAULIC POWER UNIT

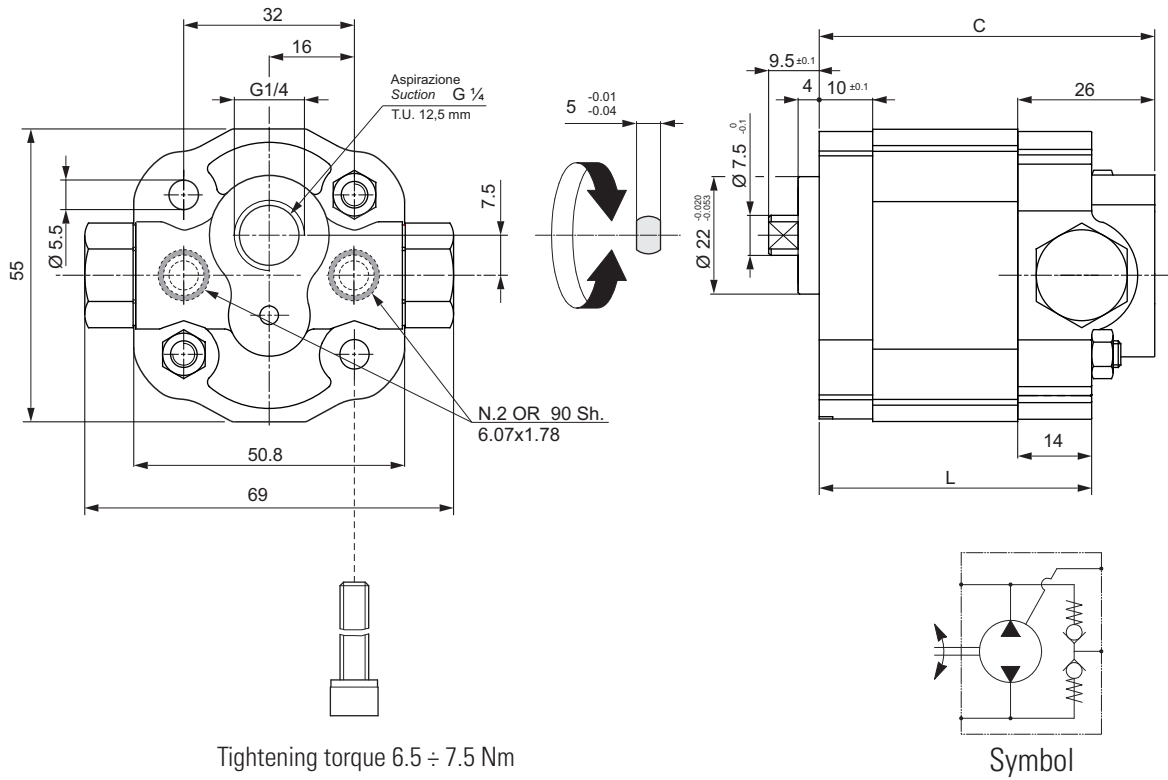
## WITH CYLINDER DIFFERENTIAL VOLUME DRAIN



O-Ring 88.62x1.78

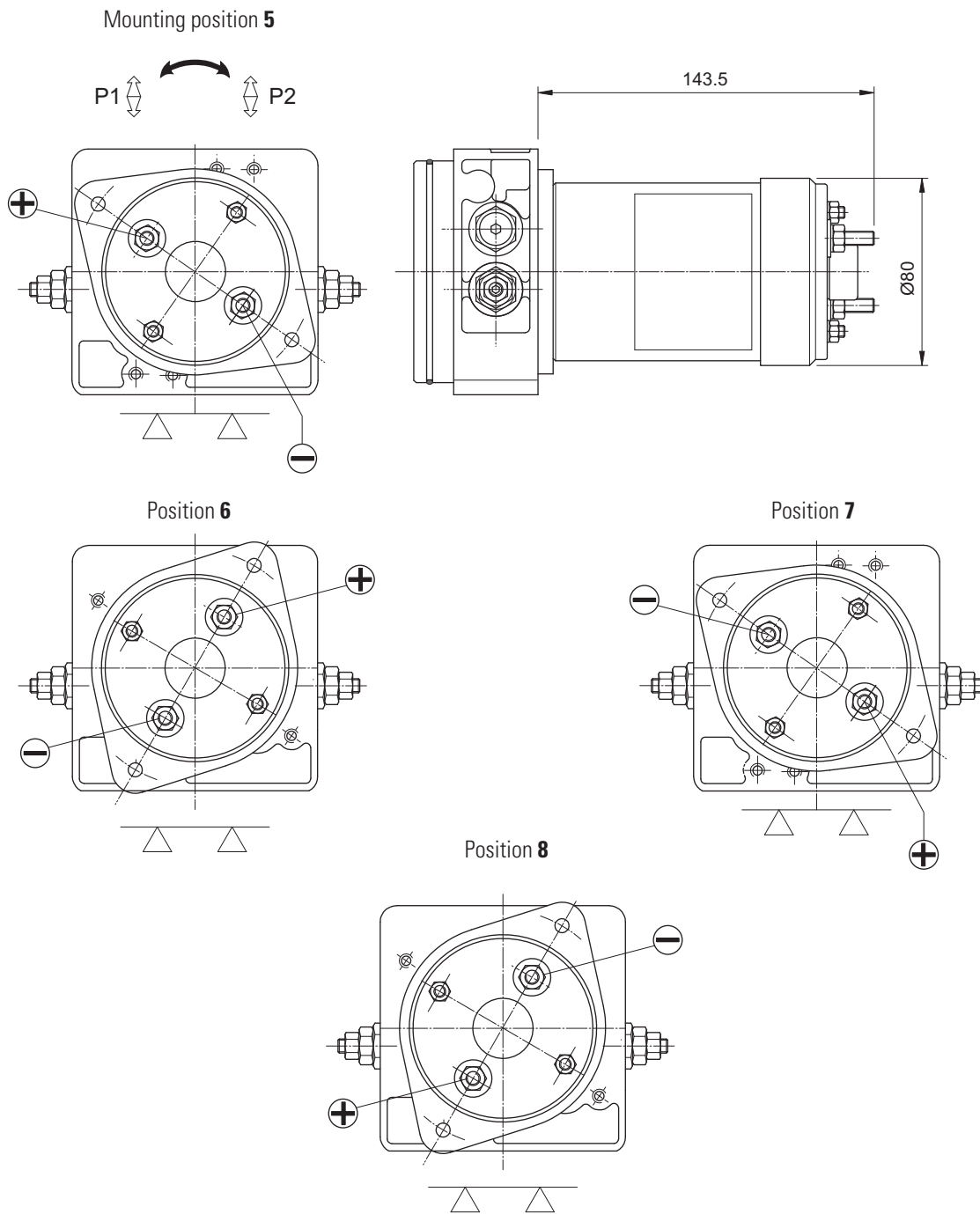


## PUMP GR 05 OVERALL DIMENSIONS



Code	Nominal displacement (cc/rev)	C (mm)	L (mm)	Pump code	Pump Kit code	Max working pressure (bar)	Peak pressure (bar)	Max RPM (rpm)
<b>A</b>	0.30	61.5	49.5	23006700.036	17050062.036	210	250	7000
<b>B</b>	0.50	63.2	51.2	23006800.036	17050063.036	210	250	7000
<b>C</b>	0.62	64.2	52.2	23006900.036	17050064.036	210	250	6500
<b>D</b>	0.84	66.0	54.0	23007000.036	17050065.036	210	250	6500
<b>J</b>	1.00	67.3	55.3	23008800.036	17050066.036	210	250	6000
<b>Z</b>	1.25	69.4	57.4	23007100.036	17050067.036	210	250	6000

## 12VDC 0.35 KW / 24VDC 0.40 KW MOTORS



For more details, features and performances DC motors, see catalog Dana Brevini cod. DOC00053.

### ORDERING CODE

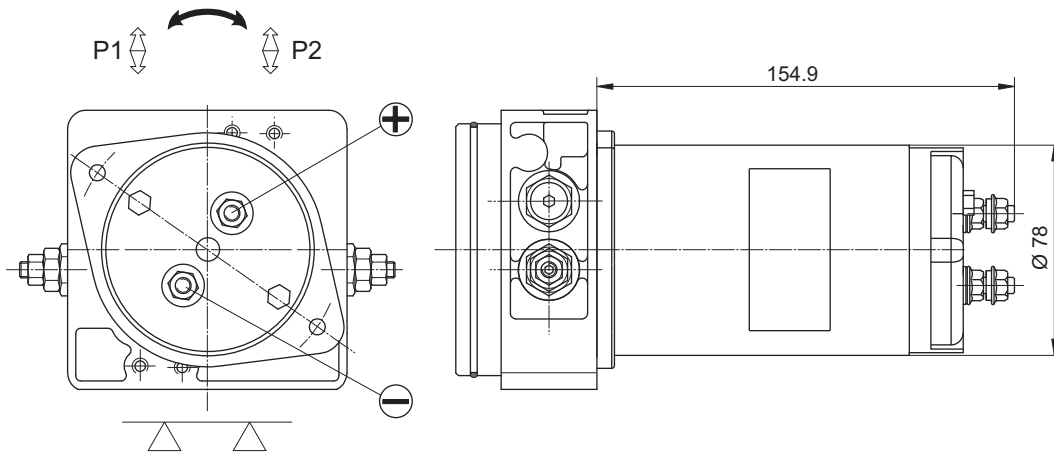
M	**	*	Code	Description	Motor
			<b>GA</b>	12VDC motor - 0.35 kW	25021400
			<b>GB</b>	24VDC motor - 0.40 kW	25021500

M	**	*	Code	Mounting position
			<b>5</b>	Position 5
			<b>6</b>	Position 6
			<b>7</b>	Position 7
			<b>8</b>	Position 8

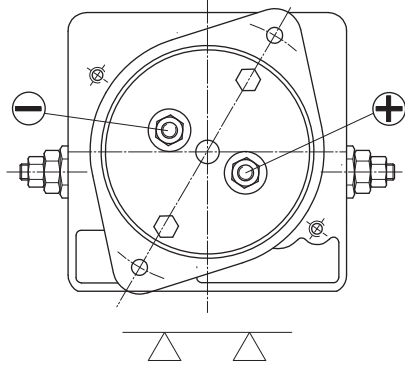
- DC motors permanent magnet
- Rotation CCW-CW
- Protection class IP54
- Insulation class F

## 12VDC 0.50 KW / 24VDC 0.50 KW MOTORS

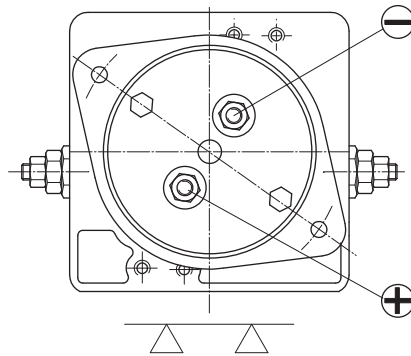
Mounting position 5



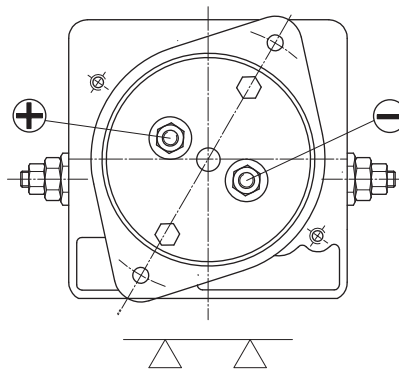
Position 6



Position 7



Position 8



For more details, features and performances DC motors, see catalog Dana Brevini cod. DOC00053.

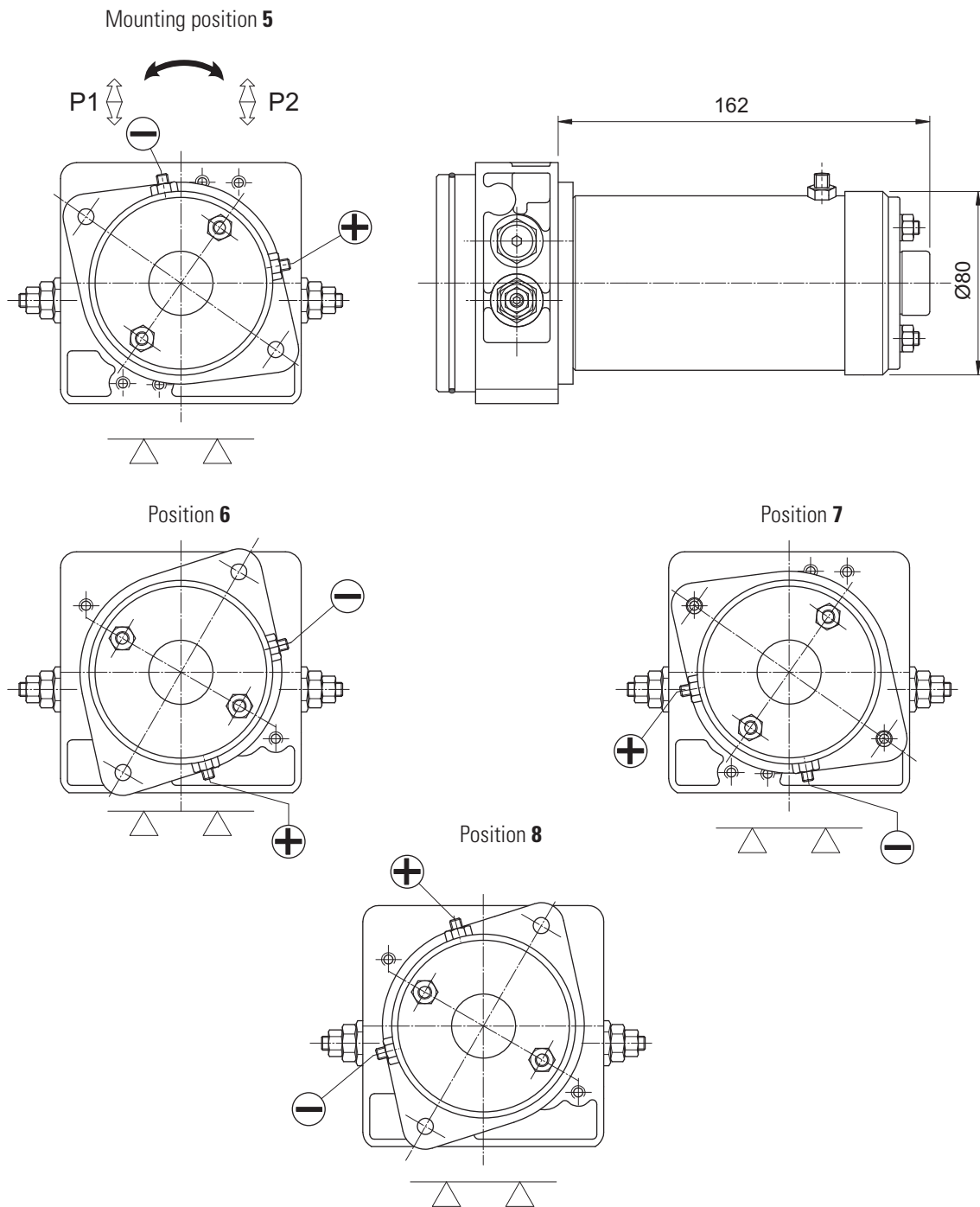
### ORDERING CODE

M	**	*	Code	Description	Motor
			HF	Motor 12VDC - 0.50 kW	25024200
			HE	Motor 24VDC - 0.50 kW	25024300

M	**	*	Code	Mounting position
			5	Position 5
			6	Position 6
			7	Position 7
			8	Position 8

- DC motors permanent magnet
- Rotation CCW-CW
- Protection class IP54
- Insulation class F

## 12VDC 0,7 KW / 24VDC 0,8 KW MOTORS



For more details, features and performances DC motors, see catalog Dana Brevini cod. DOC00053.

### ORDERING CODE

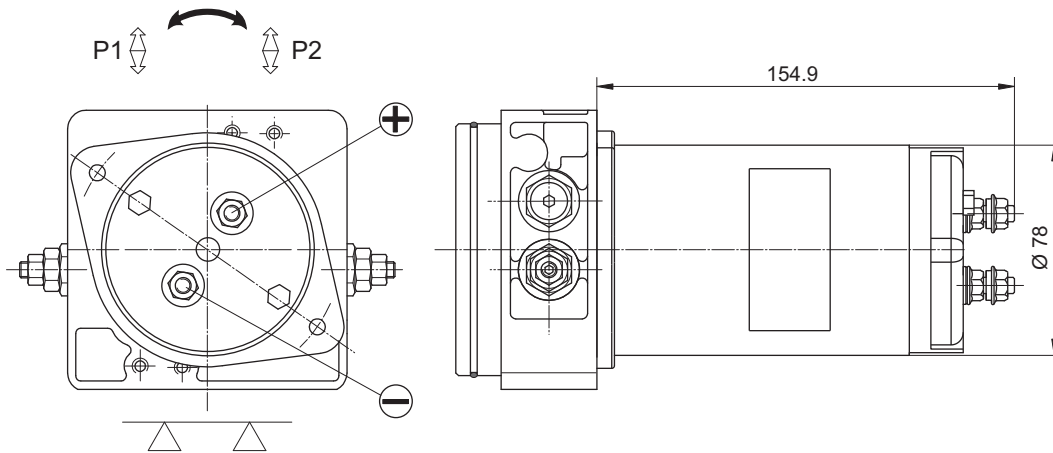
M	**	*	Code	Description	Motor
			<b>GC</b>	12VDC motor - 0.7 kW	25021600
			<b>GD</b>	24VDC motor - 0.8 kW	25021700

M	**	*	Code	Mounting position
			<b>5</b>	Position 5
			<b>6</b>	Position 6
			<b>7</b>	Position 7
			<b>8</b>	Position 8

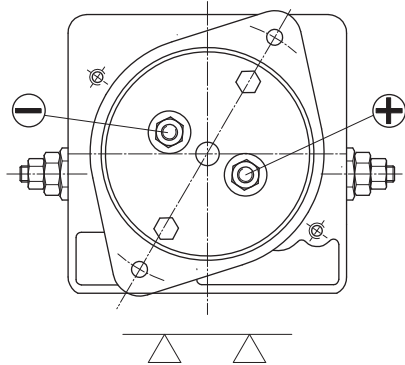
- DC motors permanent magnet
- Rotation CCW-CW
- Protection class IP54
- Insulation class F

## 12VDC 0.80 KW / 24VDC 0.80 KW MOTORS

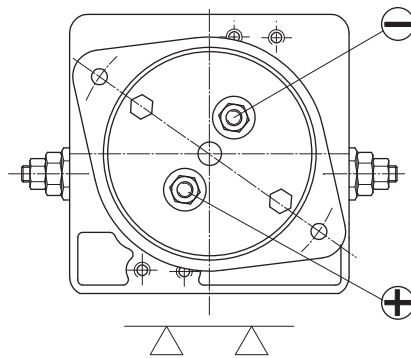
Mounting position 5



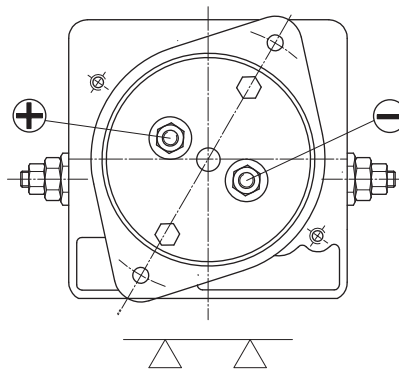
Position 6



Position 7



Position 8



For more details, features and performances DC motors, see catalog Dana Brevini cod. DOC00053.

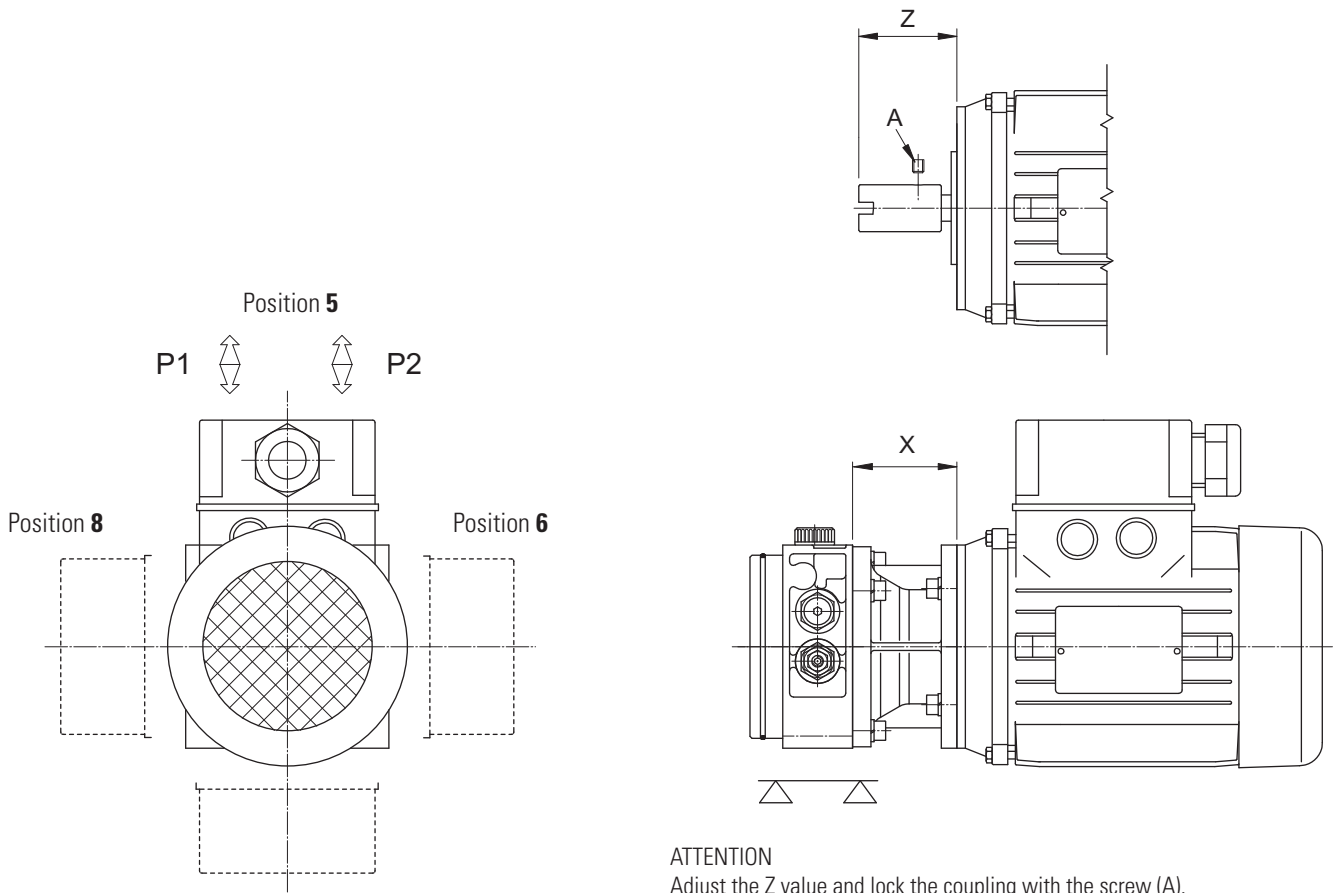
### ORDERING CODE

M	**	*	Code	Description	Motor
			<b>GU</b>	Motor 12VDC - 0.80 kW	25021800
			<b>GZ</b>	Motor 24VDC - 0.80 kW	25021900

M	**	*	Code	Mounting position
			<b>5</b>	Position 5
			<b>6</b>	Position 6
			<b>7</b>	Position 7
			<b>8</b>	Position 8

- DC motors permanent magnet
- Rotation CCW-CW
- Protection class IP54
- Insulation class F

## AC MOTOR - FRAME B14



**ATTENTION**

Adjust the Z value and lock the coupling with the screw (A).

- After the electrical connection, check the rotation direction for max 1 second (pump discharge), you will avoid irreparable damage to the pump.

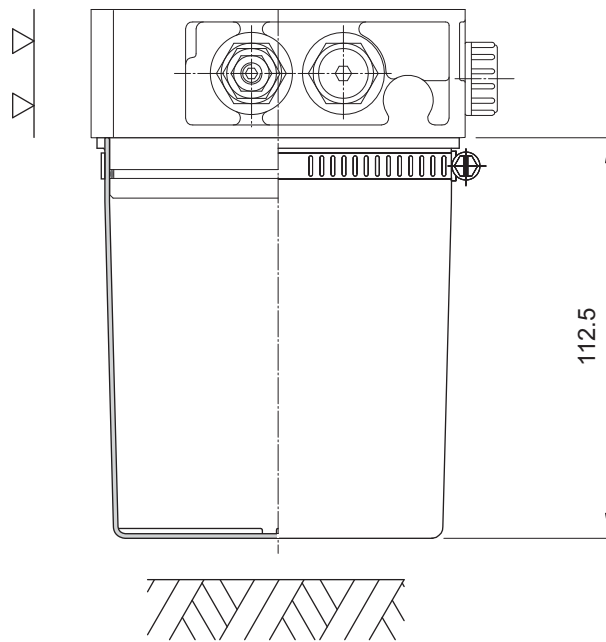
Code	Size	kW (2 poles)	kW (4 poles)	kW (6 poles)	Z (mm)	X (mm)	Frame
<b>R</b>	63	0.18 ÷ 0.25	0.12 ÷ 0.18	0.09 ÷ 0.12	42.8	54.7	B14
<b>L</b>	71	0.35 ÷ 0.55	0.25 ÷ 0.37	0.18 ÷ 0.25	42	53.9	
<b>M</b>	80	0.75 ÷ 1.10	0.55 ÷ 0.75	0.37 ÷ 0.55	53	54.7	

### ORDERING CODE

M	*	*	Code	Description	Motor kit
			<b>R</b>	Motore taglia 63	KIT02008.001
			<b>L</b>	Motore taglia 71	KIT02008.002
			<b>M</b>	Motore taglia 80	KIT02008.003

M	**	*	Code	Mounting position
			<b>0</b>	Without motor
			<b>5</b>	Position 5
			<b>6</b>	Position 6
			<b>7</b>	Position 7
			<b>8</b>	Position 8

## NYLON TANK TK05

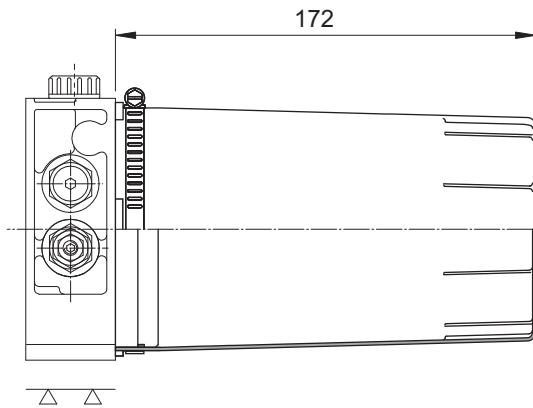


### ORDERING CODE

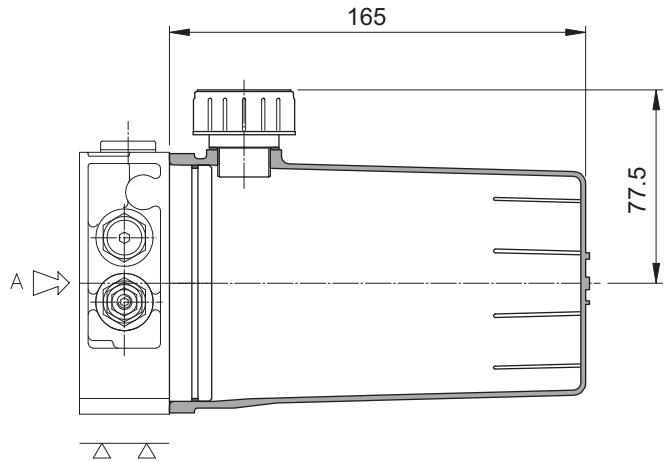
T	K05*	<b>Code</b>	<b>Capacity</b> (nominal lt.)	<b>Tank type</b>	<b>Tank kit</b>	F	*	<b>Code</b>	<b>Mounting position</b>
		K05	0.5	Nylon (visual oil level)	90310177			02	Vertical

## NYLON TANK TK1 - TH1

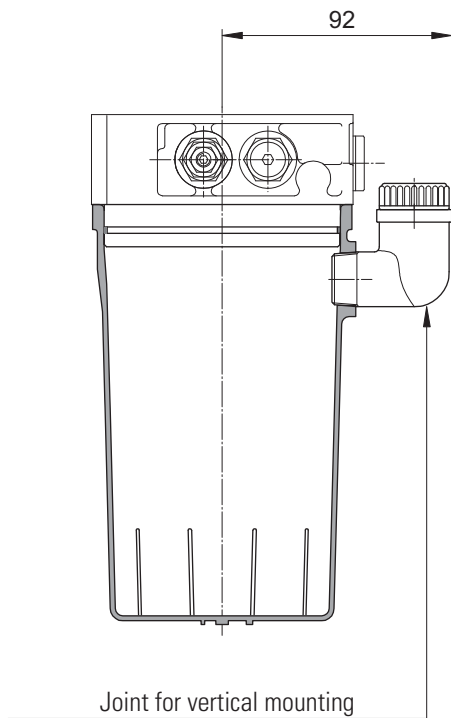
Tank **TK1** (horizontal)



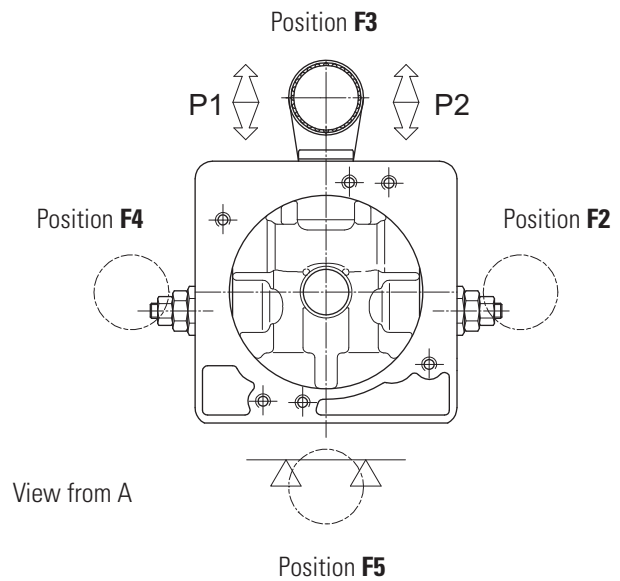
Tank **TH1** (horizontal)



Tank **TH1** (vertical)



### Mounting position

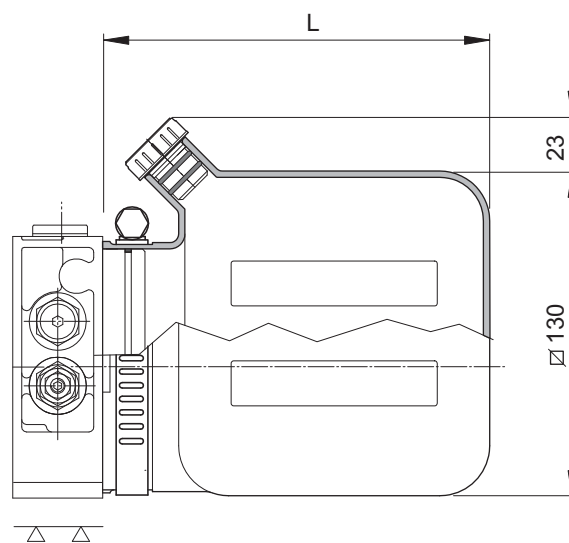


### ORDERING CODE

T	*	*	Code	Capacity (nominal lt.)	Tank type	Tank kit
			<b>K1</b>	1	Nylon (visual oil level)	90310104
			<b>H1</b>	1	Nylon tank reinforced with fiberglass (visual oil level)	90310065 Horizontal
						90310066 Vertical

F	*	Code	Type	Mounting position
			<b>TK1</b> <b>TH1</b>	
		<b>0</b>	X   —	Vertical without tank
		<b>1</b>	X   X	Horizontal
		<b>2</b>	X   X	Vertical (referred to the filling cap)
		<b>3</b>	—   X	
		<b>4</b>	—   X	
		<b>5</b>	—   X	

## NYLON TANK Q1 - Q2



### ORDERING CODE

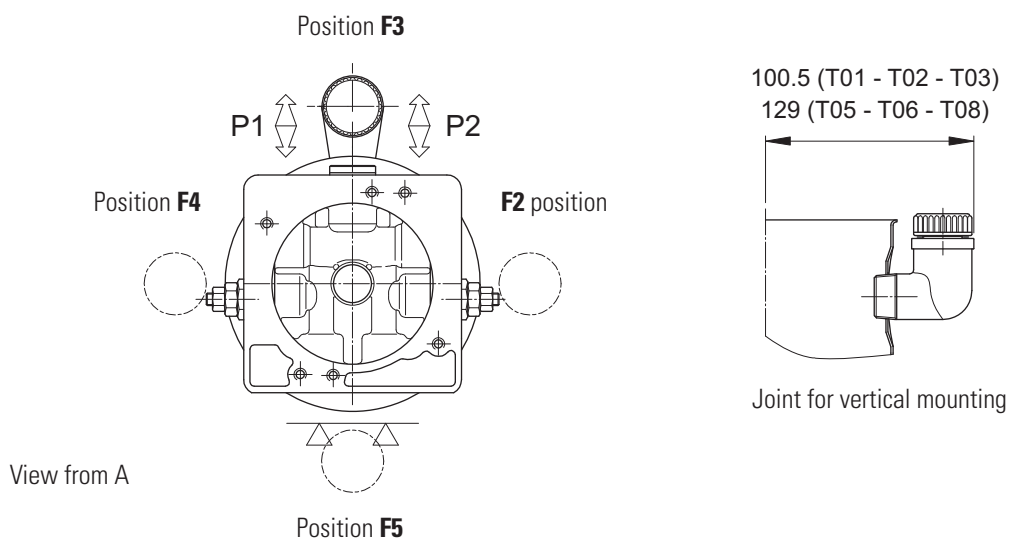
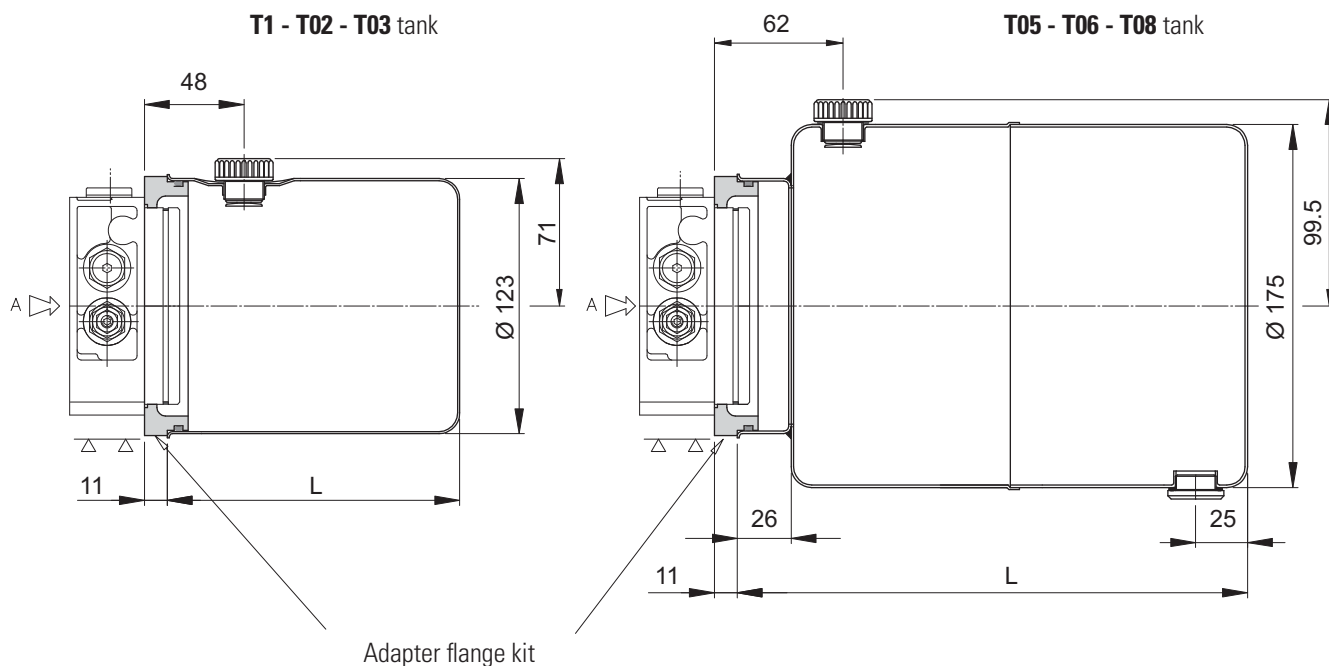
T \* \*

Code	Capacity (nominal lt.)	Tank type	L (mm)	Tank kit
<b>Q1</b>	1	In nylon (livello olio visivo)	155	90310278
<b>Q2</b>	2	In nylon (livello olio visivo)	223	90310279

F \*

Code	Mounting position
<b>0</b>	Vertical without tank
<b>1</b>	Horizontal
<b>2</b>	Vertical (referred to the filling cap)
<b>3</b>	
<b>4</b>	
<b>5</b>	

## STEEL TANKS T01 - T02 - T03 - T05 - T06 - T08



### ORDERING CODE

T	*	*	Code	Capacity (nominal lt.)	Tank type	L (mm)	Tank kit		Flange kit
							horizontal	vertical	
			<b>01</b>	1	Steel	141	90310000	90310009	17010022
			<b>02</b>	2	Steel	200	90310001	90310010	
			<b>03</b>	3	Steel	330	90310002	90310011	
			<b>05</b>	5	Steel	246	90310003	90310012	17010051
			<b>06</b>	6	Steel	308	90310004	90310013	
			<b>08</b>	8	Steel	370	90310005	90310014	

F	*	Code	Mounting position
		<b>0</b>	Vertical without tank
		<b>1</b>	Horizontal
		<b>2</b>	Vertical (referred to the filling cap)
		<b>3</b>	
		<b>4</b>	
		<b>5</b>	









**BREVINI®**

*Motion Systems*



OIL SOLUTIONS

1800-OILSOL  
1800-645765

<https://oilsolutions.com.au/>

[sales@oilsolutions.com.au](mailto:sales@oilsolutions.com.au)

Code DOC00064 - Rev.05

**Dana Motion Systems Italia S.r.l.**

Fluid Power Division

Sede operativa: Via Giulio Natta 1, 42124 Reggio Emilia - Italy  
Tel: +39.0522.270711 - Fax: +39.0522.505856

Sede legale: Via Luciano Brevini 1/A, 42124 Reggio Emilia - Italy  
Tel: +39.0522.9281 - Fax: +39.0522.928300

[www.dana.com/brevini](http://www.dana.com/brevini) - [dana.re@dana.com](mailto:dana.re@dana.com)

