

Welcome To **BUCHER**
hydraulics

POWER UNITS

Our quality: We always adhere to the implementation of ISO9001 quality management system and continuously strengthen and improve internal management, as well as providing our customers with best quality products. Quality and service is our sincere commitment.



Search:

Position: Index >> Products

Gear Pumps and Gear Motors **Power Units** **Hydraulic Valves** **Accessories**

Auto Hoist Power Units 2

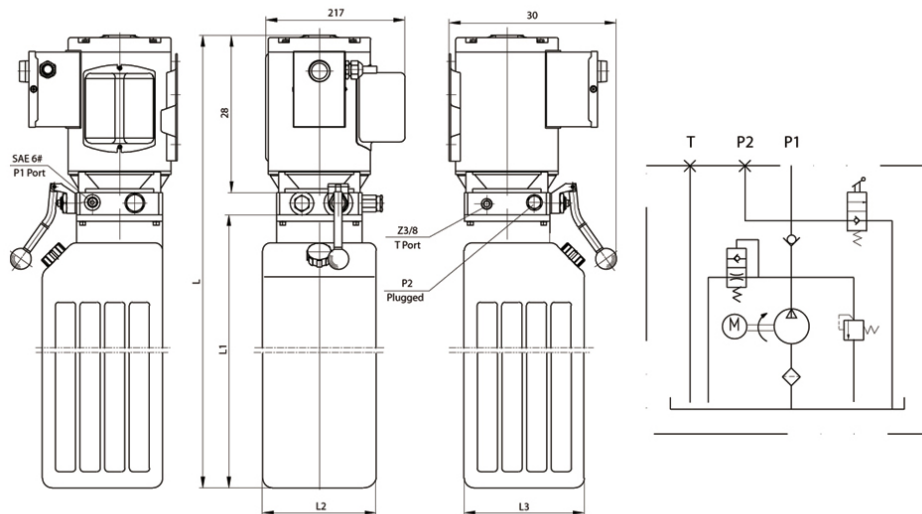
Auto Hoist Power Units 2

General Description



This power unit is designed exclusively for Auto hoist, with power up, gravity down function. Such products can be applied to different voltages and frequencies and the lowering movement is controlled by the manual release valve. The power unit also applies to different kinds of hydraulic fork lift and scissors lift.

Outline Dimension



Model Specifications

Model	Motor Volt	Motor power	Displacement	System pressure	Rated Speed	Tank Capacity	Dimensions			
							L1	L2	L3	L
YBZ5-F0.8B5F1/ALVOT1	115V 60Hz	1.1KW	0.8ml/r	20MPa	3450rpm	6L	335mm	180mm	180mm	611mm
YBZ5-F0.8C5F1/ALVOT1						8L	440mm			716mm
YBZ5-E1.2B5F1/ALVOT1			1.2ml/r	17.5MPa		6L	335mm			611mm
YBZ5-E1.2C5F1/ALVOT1	115/230V		0.8ml/r	20MPa	2830/3450rpm	8L	440mm			716mm
YBZ5-F0.8B8F1/AMVOT1						6L	335mm			611mm



PO Box 38
Strathfieldsaye, VIC, 3551
1800 OIL SOL
1800 645 765
sales@oilsolutions.com.au
www.oilsolutions.com.au
"For All Your Hydraulic Needs"

YBZ5-F0.8C8F1/AMVOT1	50/60Hz	2.2KW	1.2ml/r	17.5MPa	2830/3450rpm	8L	440mm	165mm	185mm	716mm
YBZ5-E1.2B8F1/AMVOT2						6L	335mm			611mm
YBZ5-E1.2C8F1/AMVOT1						8L	440mm			716mm
YBZ5-F2.1E3H1/AMQOT1	208-240V	2.2KW	2.1ml/r	20MPa	2830/3450rpm	12L	540mm	165mm	185mm	816mm
YBZ5-F2.1F3H1/AMQOT1	50/60Hz					14L	600mm			175mm
YBZ5-F2.1E7H1/ALQOT1	230/460V				3450rpm	12L	540mm	165mm	185mm	816mm
YBZ5-F2.1F7H1/ALQOT1	60Hz					14L	600mm	175mm	185mm	876mm
YBZ5-F2.1E20H1/AMQOT1	190/208-		2.5ml/r	2830/3450rpm	12L	540mm	165mm	185mm	816mm	
YBZ5-F2.5F20H1/AMQOT1	240/380/				14L	600mm	175mm	185mm	876mm	
YBZ5-E4.2E20H1/ANQOT1	460V		4.2ml/r	17.5MPa	1450/1725rpm	12L	540mm	165mm	185mm	816mm
YBZ5-E4.2F20H1/ANQQT1	50/60Hz					14L	600mm	175mm	185mm	876mm

Special notes

- 1.The AC motor is of S3 duty cycle, which can only work intermittently and repeatedly, ie., 1minute on and 9 minutes off.
- 2.Clean all the hydraulic parts concerned before mounting the power unit.
- 3.Viscosity of the oil should be 15-68 cst,and the oil should be clean and free of impurities,N46 hydraulic oil is recommended .
- 4.The power unit should be mounted vertically.
- 5.Check the oil level in the tank after the initial running of the power unit.
- 6.Oil changing is required after the initial 100 operation hours, afterwards once every 3000 hours.

Copyright: Bucher Hydraulics (Wuxi)Co.,Ltd. 编号: 苏ICP备18069474号-1