

# 汽车举升动力单元 1

## AUTO HOIST POWER UNITS 1

德力液压 **Deli**

### 简介 General Description

本产品是由我公司 YBZ 系列液压动力单元产品中的一部分，它广泛应用于汽车举升机，手动阀控制回油，下降速度可调，同时还可以用作液压叉车及剪叉式升降机的动力源。

As one part of our YBZ series power unit family, this power unit is widely used in two-post auto hoists. Push the start button on the motor to lift the machine. The lowering movement is activated by the manual release valve, with the lowering speed controlled by the throttle valve in the return line. The power unit also applies to different kinds of hydraulic fork lift and scissors lift.

### 外形尺寸图 Outline Dimension



OIL SOLUTIONS

PO Box 38  
Strathfieldsaye, VIC, 3551

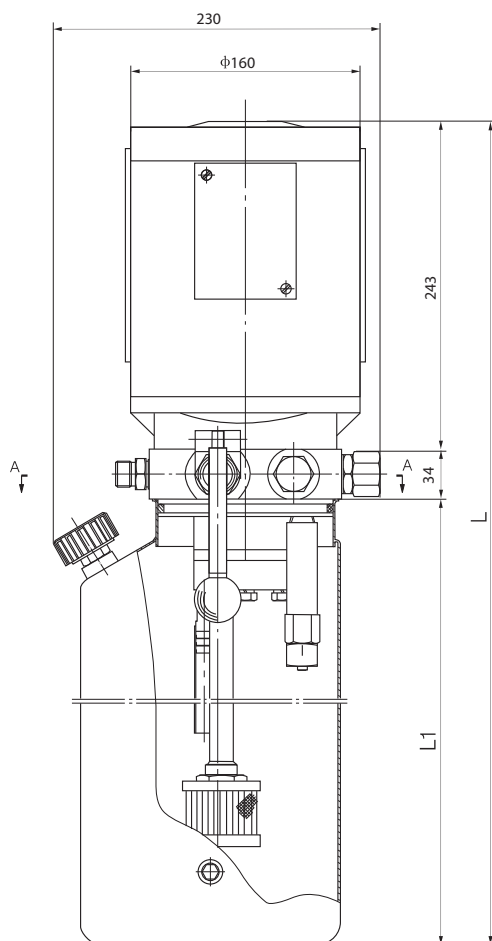
1800 OIL SOL

1800 645 765

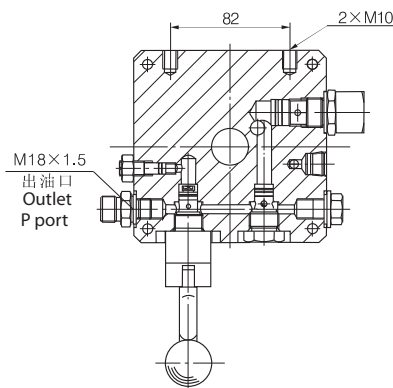
[sales@oilsolutions.com.au](mailto:sales@oilsolutions.com.au)

[www.oilsolutions.com.au](http://www.oilsolutions.com.au)

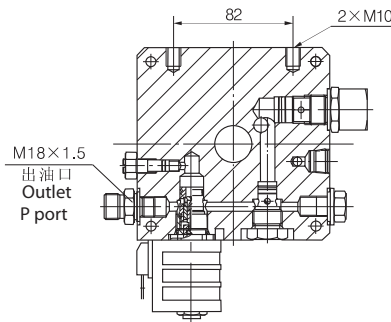
"For All Your Hydraulic Needs"



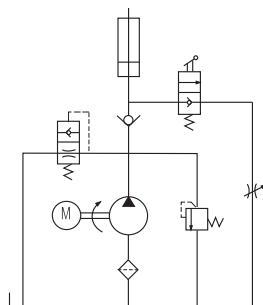
Section A-A  
手动卸荷阀动力单元  
(with manual unloading valve)



Section A-A  
电动卸荷阀动力单元  
(with electric unloading valve)



## 系统工作原理 Hydraulic Circuit Diagram



## 型号规格说明 Model Specifications

Model 型号	Motor Volt 电机电压	Motor power 电机功率	Displacement 油泵排量	System pressure 溢流阀压力	Rated Speed 名义转速	Tank Capacity 油箱容量	总长(mm)	
							L1	L
YBZ - E2D3H1/1	220VAC	2.2KW	2mL/r	16MPa	2830rpm	10L	440	717
YBZ - E3B3H1/1			3mL/r			6L	300	577
YBZ - E2C3H1/1			8L			370	647	
YBZ - E2D4H1/1	380VAC	2.2KW	2mL/r	16MPa	2830rpm	10L	440	717
YBZ - E2B4H1/1						6L	300	577
YBZ - E2C4H1/1			8L			370	647	
YBZ - E3D4H1/3			10L			440	717	
YBZ - E3E4H1/1			12L			540	817	
YBZ - E3D4H1/1		3KW	3ml/r			10L	440	717
YBZ - F2.1C3G1/1	220VAC	1.5KW	2.1ml/r	20MPa		8L	370	647
YBZ - F2.5D4H1/1	380VAC	2.2KW	2.5ml/r			10L	440	717

说明: 1. 如需不同流量的泵、压力、电机功率等系统参数, 请查看液压动力单元型号说明。  
2. 如需订购 CSA 或 UL 认证, 60HZ 的动力单元, 请在订购时说明。

Remark: 1. Please go to page 38 or consult our sales engineer for the different pump displacement, motor power or tank capacity.  
2. 60HZ motors with CSA or UL certification are available upon request.

## 注意事项 Special Notes

1. 此动力单元不可连续运转 (1 分钟 ON, 9 分钟 OFF), 可重复工作。
2. 安装前必须保证油缸、油管、接头等液压元件清洁无任何杂质黏附。
3. 液压油粘度应为 15 ~ 68CST, 应清洁无杂质, 推荐使用 N46 号液压油。
4. 本液压系统适用于垂直安装, 油箱在下。
5. 首次启动运行系统时, 应立即检查油箱中的油量是否充足。
6. 系统使用第一个 100 小时后, 应更换液压油, 以后每 3000 小时更换液压油一次。

1. The power unit is of S3 duty, which can only be worked intermittently, ie., 1minute on and 9 minutes off.
2. Clean all the hydraulic parts concerned before mounting the power unit.
3. Viscosity of the oil should be 15~68 cst, and the oil should be clean and free of impurities, N46 hydraulic oil is recommended.
4. The power unit should be mounted vertically.
5. Check the oil level in the tank after the initial running of the power unit.
6. Oil changing is required after the initial 100 operation hours, afterwards once every 3000 hours.