

Welcome To **BUCHER** hydraulics

POWER UNITS

Our quality: We always adhere to the implementation of ISO9001 quality management system and continuously strengthen and improve internal management, as well as providing our customers with best quality products. Quality and service is our sincere commitment.



Search:

Position: Index >> Products

Gear Pumps and Gear Motors Power Units Hydraulic Valves Accessories

Double Acting Power Units 1

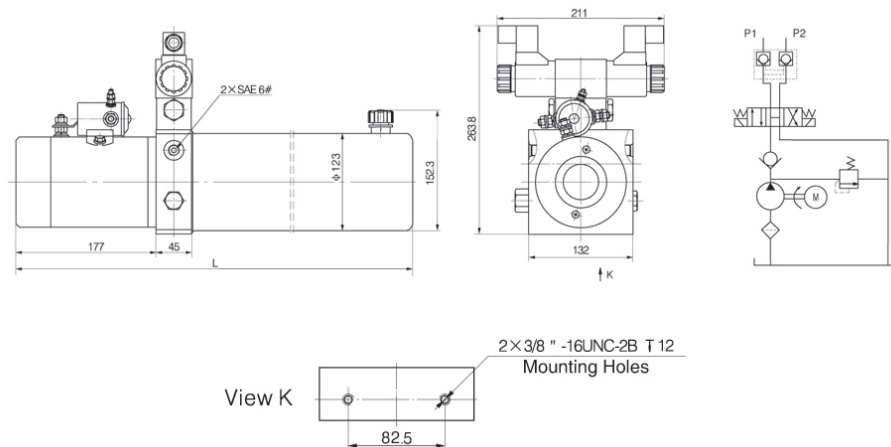
Double Acting Power Units 1

General Description



This power unit consists of high pressure gear pump, DC motor, multi-functional manifold, valves, tank, ect. It features stable performance and compact structure, and can be widely used in automotive, garden machineries, machine tools, logistics equipments etc.

Outline Dimension



Model Specifications

Model	Motor Volt	Motor power	Rated Speed	Displacement	System pressure	Tank Capacity	L(mm)
YBZ-F2.1A1W209/S	12VDC	1.5KW	2500rpm	2.1mL/r	20MPa	3L	567
YBZ-F2.5B2A209/S	24VDC	2KW		2.5mL/r	20MPa	5L	472
YBZ-F2.7B3G209/LBAEC1	220VAC	1.5KW	1400rpm	2.7mL/r	22MPa	6L	642
YBZ-F3.2E3G209/LBCEC1				3.2mL/r	20MPa	12L	692
YBZ-F2.5F3H209/LCCEC1		2.2KW	2800rpm	2.5mL/r	18MPa	14L	665
YBZ-E3.2G3H209/LCCEC1				3.2mL/r	15MPa	16L	597
YBZ-D4.2G3H209/LCCEC1	380VAC	3KW	2800rpm	4.2mL/r	10MPa	16L	597
YBZ-F2.7H4I209/LCCEC1				2.7mL/r	20MPa	20L	930
YBZ-F3.2I4I209/LCCEC1				3.2mL/r	18MPa	22L	1015
YBZ-E3.7J4I209/LCCEC1				3.7mL/r	16MPa	25L	1100



PO Box 38
Strathfieldsaye, VIC, 3551
1800 OIL SOL
1800 645 765
sales@oilsolutions.com.au
www.oilsolutions.com.au
"For All Your Hydraulic Needs"

Remark: Please go to page 38 or consult our sales engineer for the different pump displacement, motor power or tank capacity.

Special Notes

- 1.The duty of this power unit is S3, i.e., 30 seconds on and 270 seconds off.
- 2.Clean all the hydraulic parts concerned before mounting the power unit.
- 3.Viscosity of the hydraulic oil should be 15-68 cst, which should also be clean and free of impurities. N46 hydraulic oil is recommended.
- 4.Change the oil after the first 100 hours of running the power unit, then change the oil every 3000 hours.
- 5.The power unit should be mounted horizontally.

Copyright: Bucher Hydraulics (Wuxi)Co.,Ltd. 编号: 苏ICP备18069474号-1