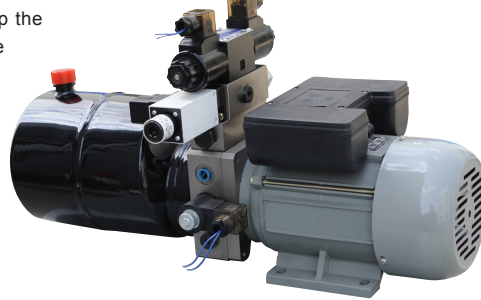


篮球架液压动力单元 ELECTRIC-BASKETBALL STANDS POWER UNITS

简介 General Description

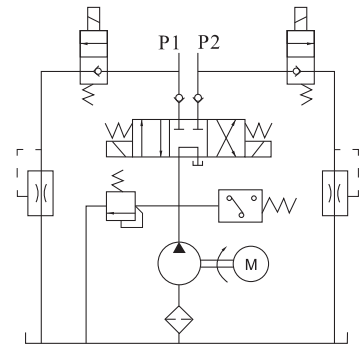
此液压动力单元专为电动篮球架设计，由高压齿轮泵、电机、多用集成块、插装阀、叠加阀、油箱等零部件有机结合为一体，构成两条独立的英武的液压上升、重力下降回路，用于篮板和篮球架走轮的升降运动，压力补偿平衡阀的应用使得篮球架走轮的下降动作十分平稳。

This power unit is designed exclusively for the electric-basketball stand, consisting of two independent, typical □power up, gravity down□ circuits for the up and down movements of the basketball board and the whole basketball stand. The pressure switch will stop the motor once the basketball or the whole stand is completely lifted. The pressure-compensated balance valves make the lowering movements very smooth.

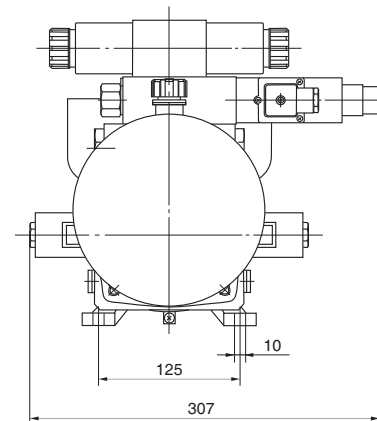
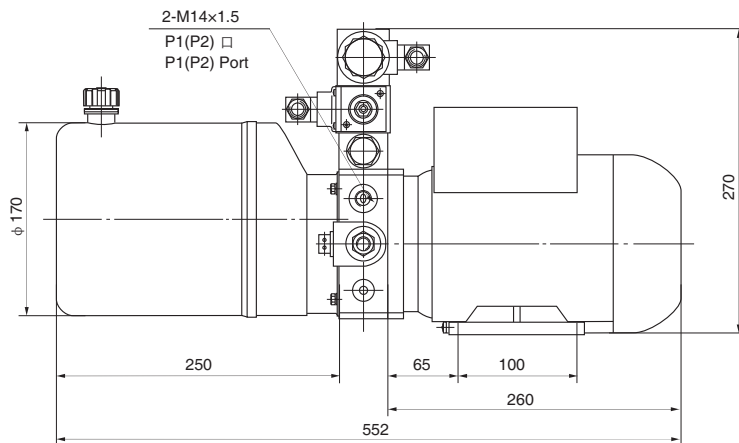


系统工作原理

Hydraulic Circuit Diagram



外形尺寸图 Outline Dimension



型号规格说明 Model Specifications

Model 型号	Motor Volt 电机电压	Motor power 电机功率	Motor Speed 电机转速	Displacement 油泵排量	System pressure 溢流阀压力	Tank Capacity 油箱容量	Solenoid Valve Volt 电磁阀电压
YBZ-F1.6B3E42/1	220V	0.75KW	1450rpm	1.6mL/r	20MPa	5L	24VDC
YBZ-E3.7B3G42/1		1.5KW		3.7mL/r	18MPa		

说明: 1. 如需不同流量的泵、压力、电机功率等系统参数, 请查看液压动力单元型号说明。

2. 如需订购 CSA 或 UL 认证, 60HZ 的动力单元, 请在订购时说明。

Remark: 1. Please go to page 38 or consult our sales engineer for the different pump displacement, motor power or tank capacity.

2. 60HZ motors with CSA or UL certification are available upon request.

注意事项 Special Notes

1. 安装前必须保证油缸、油管、接头等液压元件清洁无任何杂质粘附。
2. 液压油粘度应为 15 ~ 68CST, 应清洁无杂质, 推荐使用 N46 号液压油。
3. 本动力单元适用于水平安装。
4. 首次启动运行系统后, 应立即检查油箱中的油量是否充足。
5. 系统使用第一个 100 小时后, 应更换液压油, 以后每 3000 小时更换一次液压油。

1. Clean all the hydraulic parts concerned before mounting the power unit.
2. Viscosity of the hydraulic oil should be 15~68 cst, which should also be clean and free of impurities. N46 hydraulic oil is recommended.
3. The power unit should be horizontally.
4. Check the oil level in the tank after the initial operation of the power unit.
5. Oil changing is required after the initial 100 operation hours, afterwards once every 3000 hours.