

Welcome To **BUCHER** hydraulics

POWER UNITS

Our quality: We always adhere to the implementation of ISO9001 quality management system and continuously strengthen and improve internal management, as well as providing our customers with best quality products. Quality and service is our sincere commitment.



Search:

Position: Index >> Products

Gear Pumps and Gear Motors Power Units Hydraulic Valves Accessories

Electric-basketball Stands Power Units

Electric-basketball Stands Power Units

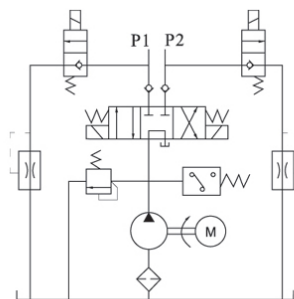
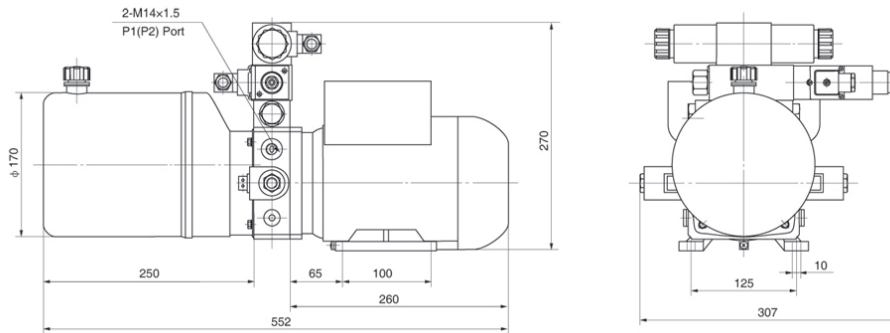
General Description



PO Box 38
Strathfieldsaye, VIC, 3551
1800 OIL SOL
1800 645 765
sales@oilsolutions.com.au
www.oilsolutions.com.au
"For All Your Hydraulic Needs"

This power unit is designed exclusively for the electric-basketball stand, consisting of two independent, typical "power up, gravity down" circuits for the up and down movements of the basketball board and the whole basketball stand. The pressure switch will stop the motor once the basketball or the whole stand is compensated balance valves make the lowering movements very smooth.

Outline Dimension



Model Specifications

Model	Motor Volt	Motor power	Motor Speed	Displacement	System pressure	Tank Capacity	Solenoid Valve Volt
-------	------------	-------------	-------------	--------------	-----------------	---------------	---------------------

YBZ-F1.6B3E42/1	220V	0.75KW	1450rpm	1.6mL/r	20MPa	5L	24VDC
YBZ-E3.7B3G42/1		1.5KW		3.7mL/r	18MPa		

Remark: 1. Please go to page 38 or consult our sales engineer for the different pump displacement, motor power or tank capacity.

2. 60HZ motors with CSA or UL certification are available upon request.

Special Notes

- 1.Clean all the hydraulic parts concerned before mounting the power unit.
 - 2.Viscosity of the hydraulic oil should be 15-68 cst, which should also be clean and free of impurities. N46 hydraulic oil is recommended.
 - 3.The power unit should be horizontally.
 - 4.Check the oil level in the tank after the initial operation of the power unit.
- 5.Oil changing is required after the initial 100 operation hours, afterwards once every 3000 hours.

Copyright: Bucher Hydraulics (Wuxi)Co.,Ltd. 编号: 苏ICP备18069474号-1