

Welcome To **BUCHER**
hydraulics

POWER UNITS

Our quality: We always adhere to the implementation of ISO9001 quality management system and continuously strengthen and improve internal management, as well as providing our customers with best quality products. Quality and service is our sincere commitment.



Search:

Position: Index >> Products

Gear Pumps and Gear Motors **Power Units** **Hydraulic Valves** **Accessories**

Power Units For Dock Leveler 4

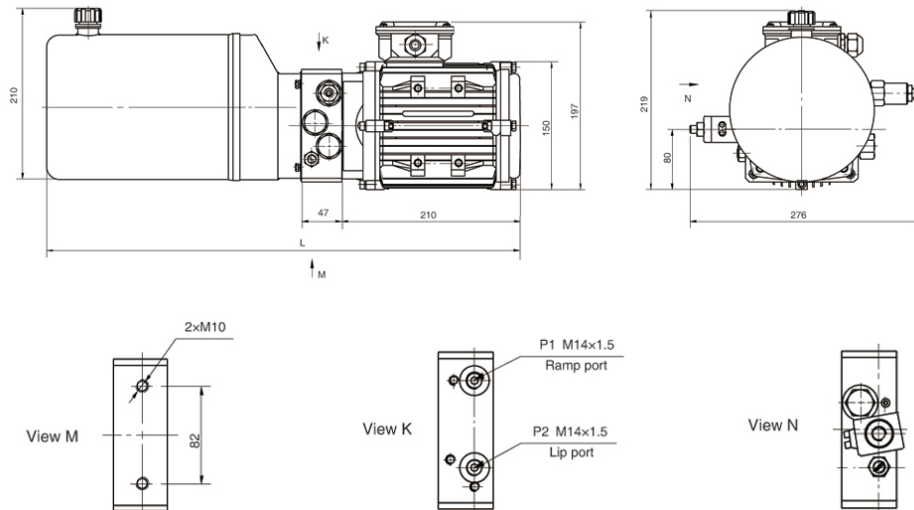
Power Units For Dock Leveler 4

[General Description](#)



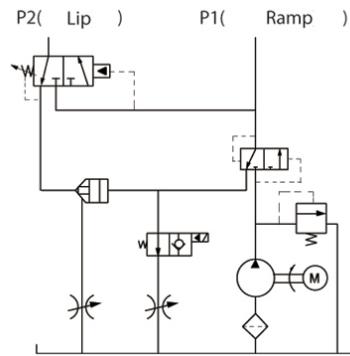
This hydraulic power pack integrates gear pump, AC motor, multifunctional manifold, cartridge A normally open solenoid valve makes the ramp and lip float with the carriage during loading and unloading, which also offers an emergency stop function while falling.

[Outline Dimension](#)



OIL SOLUTIONS

PO Box 38
Strathfieldsaye, VIC, 3551
1800 OIL SOL
1800 645 765
sales@oilsolutions.com.au
www.oilsolutions.com.au
"For All Your Hydraulic Needs"



Model Specifications

Model	Motor Volt	Motor power	Displacement	System pressure	Tank Capacity	L(mm)
YBZ-E2.1A4E81/1	380VAC	0.75KW	2.1mL/r	16MPa	3.5L	457
YBZ-E2.7B4E81/1			2.7mL/r	14MPa	6L	557

Remark: 1. Please go to page 38 or consult our sales engineer for the different pump displacement, motor power or tank capacity.

2. 60HZ motors with CSA or UL certification are available upon request.

Special Notes

- 1.The power unit is of S3 duty, which can only be worked intermittently, ie., 1minute on and 9 minutes off.
- 2.Clean all the hydraulic parts concerned before mounting the power unit.
- 3.Viscosity of the hydraulic oil should be 15-68 cst, which should also be clean and free of impurities.N46 hydraulic oil is recommended.
- 4.Check the oil level in the tank after the first start of the power unit.
- 5Change the oil after the first 100 hours of running the power unit, then change the oil every 3000 hours.

Copyright: Bucher Hydraulics (Wuxi)Co.,Ltd. 编号: 苏ICP备18069474号-1