

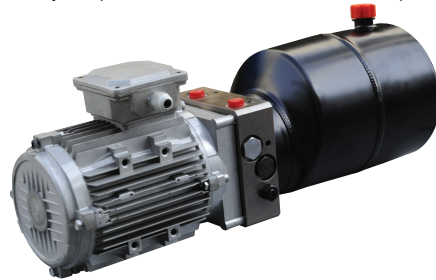
登车桥动力单元 3

POWER UNITS FOR DOCK LEVELER 3

简介 General Description

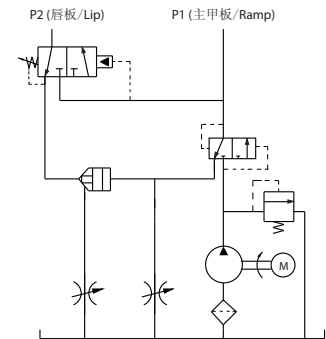
本液压动力单元集成了高压齿轮泵、电机、液压阀、油箱等液压元件，用于主甲板浮动的登车桥控制，只需一个电气按钮就可实现整个系统的控制。

This hydraulic power pack integrates gear pump, AC motor, multifunctional manifold, cartridge valves, tank as well as the hydraulic accessories. It offers an efficient and reliable control for the up and down movements of the ramp and lip of a dock leveler. Only one push button is needed for the whole operation.

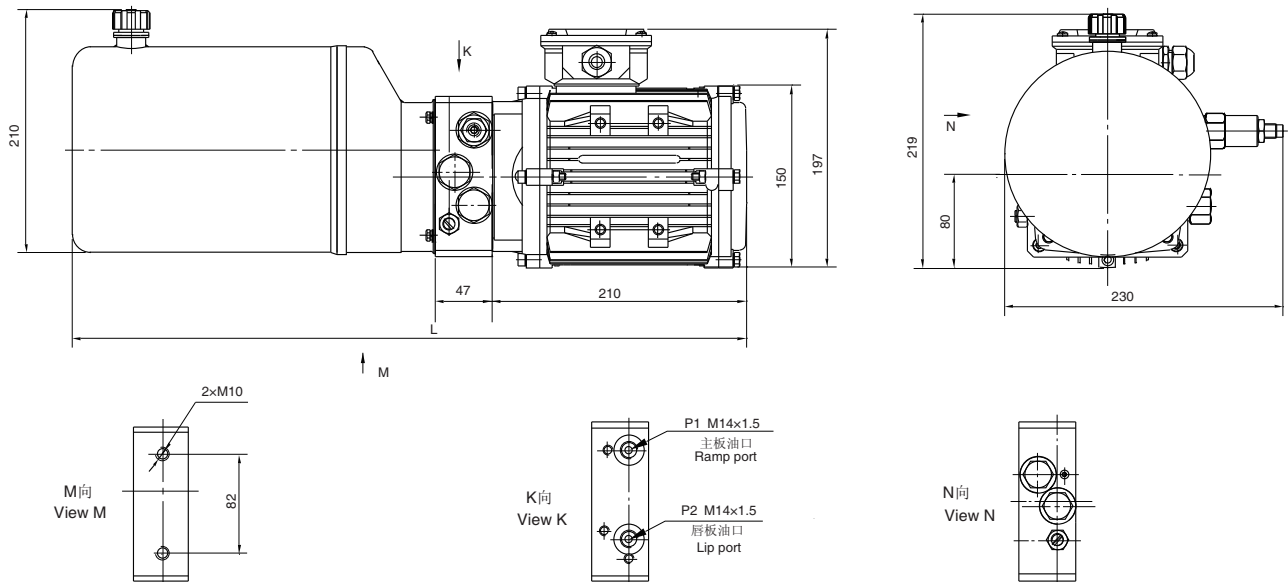


系统工作原理

Hydraulic Circuit Diagram



外形尺寸图 Outline Dimension



型号规格说明 Model Specifications

Model 型号	Motor Volt 电机电压	Motor power 电机功率	Displacement 油泵排量	System pressure 溢流阀压力	Tank Capacity 油箱容量	L(mm)
YBZ-E2.1B4E80/1	380VAC	0.75KW	2.1mL/r	16MPa	6L	557
YBZ-E2.7B4E80/1			2.7mL/r	14MPa		

说明: 1. 如需不同流量的泵、压力、电机功率等系统参数, 请查看液压动力单元型号说明。

2. 如需订购 CSA 或 UL 认证, 60HZ 的动力单元, 请在订购时说明。

Remark: 1. Please go to page 38 or consult our sales engineer for the different pump displacement, motor power or tank capacity.

2. 60HZ motors with CSA or UL certification are available upon request.

注意事项 Special Notes

1. 此动力单元不可连续运转 (1 分钟 ON, 9 分钟 OFF), 可重复工作。
2. 按装前必须保证油缸、油管、接头等液压元件清洁无任何杂质粘附。
3. 液压油粘度应为 15 ~ 68CST, 应清洁无杂质, 推荐使用 N46 号液压油。
4. 首次启动运行系统后, 应立即检查油箱中的油量是否充足。
5. 系统使用第一个 100 小时后, 应更换液压油, 以后每 3000 小时更换一次液压油。

1. The power unit is of S3 duty, which can only be worked intermittently, i.e., 1minute on and 9 minutes off.
2. Clean all the hydraulic parts concerned before mounting the power unit.
3. Viscosity of the hydraulic oil should be 15°~68 cst, which should also be clean and free of impurities. N46 hydraulic oil is recommended.
4. Check the oil level in the tank after the initial operation of the power unit.
5. Oil changing is required after the initial 100 operation hours, afterwards once every 3000 hours.