

Welcome To **BUCHER**
hydraulics

POWER UNITS

Our quality: We always adhere to the implementation of ISO9001 quality management system and continuously strengthen and improve internal management, as well as providing our customers with best quality products. Quality and service is our sincere commitment.



Search:

Position: Index >> Products

Gear Pumps and Gear Motors **Power Units** **Hydraulic Valves** **Accessories**

Power Units For Double-scissors Lift 2

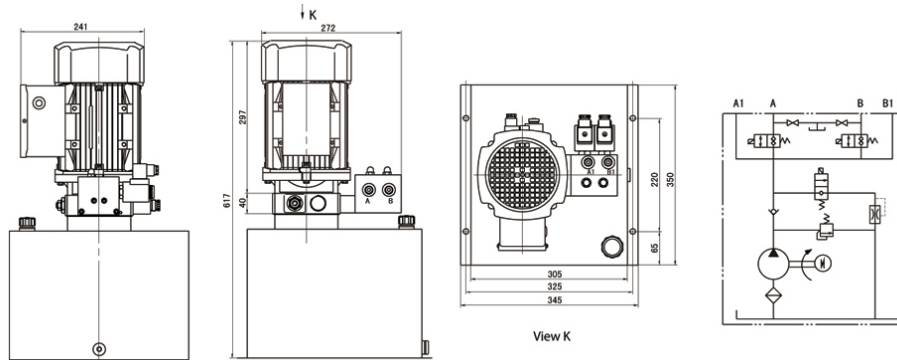
Power Units For Double-scissors Lift 2

General Description



Equipped with the zero leakage double-check solenoid valves, this power unit fulfils the complete separation of the two independent circuits, which are respectively for the main platform and subordinate platform of the double scissors lift. By increasing the number of the solenoid valves, it is easy to get more independent circuits, which are used to control the corresponding cylinders.

Outline Dimension



Model Specifications

Model	Motor Volt	Motor power	Rated Speed	Displacement	System pressure	Tank Capacity
YBZ5-F2.7C3G30/LBCEN1	220VAC	1.5KW	1400rpm	2.7mL/r	22MPa	8L
YBZ5-F3.2E3G30/LBCEN1				3.2mL/r	20MPa	12L
YBZ5-F2.5F3H30/BCCEN1				2.5mL/r	18MPa	14L
YBZ5-E3.2G3H30/LCCEN1		2.2KW		3.2 mL/r	15MPa	16L
YBZ5-D4.2G3H30/LCCEN1				4.2 mL/r	10MPa	16L
YBZ5-F2.7H4I30/BCCEN1				2.7mL/r	20MPa	20L
YBZ5-F3.2I4I30/LCCEN1	380VAC	3KW	2800rpm	3.2mL/r	18MPa	22L
YBZ5-E3.7J4I30/LCCEN1				3.7mL/r	16MPa	25L

Remark:1. Please go to page 38 or consult our sales engineer for the different pump displacement, motor power or tank capacity.

2. 60HZ motors with CSA or UL certification are available upon request.

- 1.The duty of this power unit is S3, i.e., 30 seconds on and 270 seconds off.
- 2.Clean all the hydraulic parts concerned before mounting the power unit.
- 3.Viscosity of the hydraulic oil should be 15-68 cst,which should also be clean and free of impurities.N46 hydraulic oil is recommended.
- 4.This power unit should be mounted vertically.
- 5.Check the oil level in the tank after the first start of the power unit.
- 6.Change the oil after the first 100 hours of running the power unit, then change the oil every 3000 hours.

Copyright: Bucher Hydraulics (Wuxi)Co.,Ltd. 编号: 苏ICP备18069474号-1