

Welcome To **BUCHER** hydraulics

POWER UNITS

Our quality: We always adhere to the implementation of ISO9001 quality management system and continuously strengthen and improve internal management, as well as providing our customers with best quality products. Quality and service is our sincere commitment.



Search:

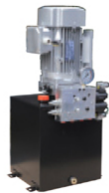
Position: Index >> Products

Gear Pumps and Gear Motors Power Units Hydraulic Valves Accessories

Power Units For Double-scissors Lift 3

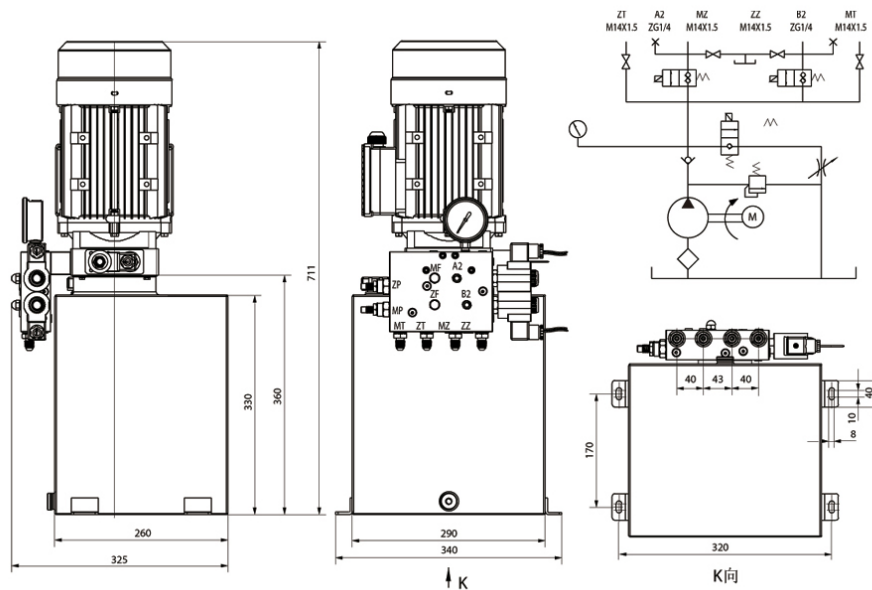
Power Units For Double-scissors Lift 3

General Description



Equipped with the zero leakage double-check solenoid valves, this power unit fulfils the complete separation of the two independent circuits, which are respectively for the main platform and subordinate platform of the double scissors lift. By increasing the number of the solenoid valves, it is easy to get more independent circuits, which are used to control the corresponding cylinders.

Outline Dimension



Model Specifications

Model	Motor Volt	Motor power	Rated Speed	Displacement	System pressure	Tank Capacity
YBZ5-G2.1JH30E/MCDEN2	220V	2.2KW	2800rpm	2.1ml/r	25MPa	25L
YBZ5-G2.5JH30E/MCDEN2	380V	2.2KW	2800rpm	2.5ml/r	25MPa	25L

Remark: Please go to page 38 or consult our sales engineer for the different pump displacement, motor power or tank capacity.

Special Notes

- 1.The power unit is of S3 duty, which can only be worked intermittently, ie., 1minute on and 9 minutes off.
- 2.Clean all the hydraulic parts concerned before mounting the power unit.
- 3.Viscosity of the hydraulic oil should be 15-68 cst,which should also be clean and free of impurities.N46 hydraulic oil is recommended.
- 4.This power unit should be mounted vertically.
- 5.Check the oil level in the tank after the first start of the power unit.
- 6.Change the oil after the first 100 hours of running the power unit, then change the oil every 3000 hours.

Copyright: Bucher Hydraulics (Wuxi)Co.,Ltd. 编号: 苏ICP备18069474号-1