

大剪升降机用动力单元 2

POWER UNITS FOR DOUBLE-SCISSORS LIFT 2

德力液压 **Deli**

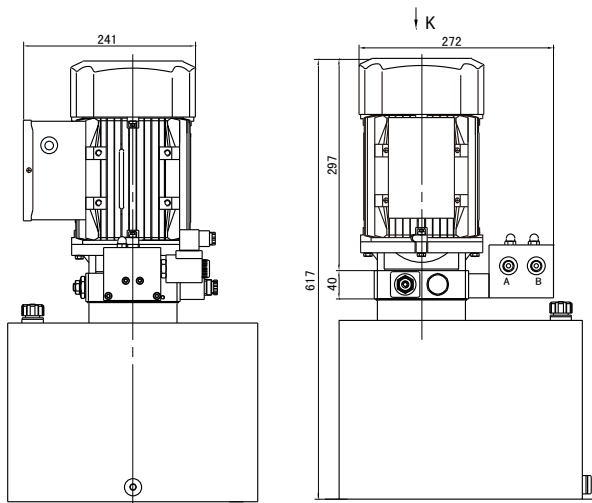
简介 General Description

此液压动力单元采用零泄漏双向止回阀实现两条油路的完全隔离，使得两条油路的上升和下降动作互不干扰，是多缸单独升降系统的理想液压源；系统中的两个截止阀用于系统电源故障时，实现安全应急回油。该系列动力单元广泛应用于大剪升降机。

Equipped with the zero leakage double-check solenoid valves, this power unit fulfils the complete separation of the two independent circuits, which are respectively for the main platform and subordinate platform of the double scissors lift. Two cut-off valves are used for lowering manually in case of power failure. By increasing the number of the solenoid valves, it is easy to get more independent circuits, which are used to control the corresponding cylinders.

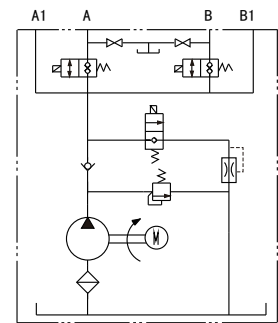


外形尺寸图 Outline Dimension



系统工作原理

Hydraulic Circuit Diagram



型号规格说明 Model Specifications

Model 型号	Motor Volt 电机电压	Motor power 电机功率	Rated Speed 名义转速	Displacement 油泵排量	System pressure 溢流阀压力	Tank Capacity 油箱容量	
YBZ5-F2.7C3G30/LBCEN1	220VAC	1.5KW	1400rpm	2.7mL/r	22MPa	8L	
YBZ5-F3.2E3G30/LBCEN1				3.2mL/r	20MPa	12L	
YBZ5-F2.5F3H30/BCCEN1		380VAC	2.2KW	2800rpm	2.5mL/r	18MPa	14L
YBZ5-E3.2G3H30/LCCEN1					3.2 mL/r	15MPa	16L
YBZ5-D4.2G3H30/LCCEN1	4.2 mL/r		10MPa	16L			
YBZ5-F2.7H4I30/BCCEN1	2.7mL/r		20MPa	20L			
YBZ5-F3.2I4I30/LCCEN1	380VAC	3KW	2800rpm	3.2mL/r	18MPa	22L	
YBZ5-E3.7J4I30/LCCEN1				3.7mL/r	16MPa	25L	

说明：1. 如需不同流量的泵、压力、电机功率等系统参数，请查看液压动力单元型号说明。

2. 如需订购 CSA 或 UL 认证，60HZ 的动力单元，请在订购时说明。

Remark: 1. Please go to page 38 or consult our sales engineer for the different pump displacement, motor power or tank capacity.

2. 60HZ motors with CSA or UL certification are available upon request.

注意事项 Special Notes

1. 此动力单元为 S3 工作制，不可连续运转，30 秒开、270 秒停。
2. 安装前必须保证油缸、油管、接头等液压元件清洁无任何杂质粘附。
3. 液压油粘度应为 15 ~ 68CST，应清洁无杂质，推荐使用 N46 号液压油。
4. 本液压动力单元适用于立式安装。
5. 首次启动运行系统后，应立即检查油箱中的油量是否充足。
6. 系统使用第一个 100 小时后，应更换液压油，以后每 3000 小时更换一次液压油。

1. The duty of this power unit is S3, i.e., 30 seconds on and 270 seconds off.
2. Clean all the hydraulic parts concerned before mounting the power unit.
3. Viscosity of the oil should be 15~68 cst, and the oil should be clean and free of impurities, N46 hydraulic oil is recommended.
4. This power unit should be mounted vertically.
5. Check the oil level in the tank after the initial run of the power unit.
6. Oil changing is required after the initial 100 operation hours, afterwards once every 3000 hours.